

Quality & style is our passion



NEWMAN
FIREPLACES LTD

Dealer Sticker

© 2021 Newman Fireplaces Ltd

E&OE



Designer collection
Natural stone fireplaces

Plus

 NewmanEco Gas Fires

& fireplace suites

Designer collection Natural stone fireplaces plus Newman Eco Gas Fires & fireplace suites

Welcome to the

Designer collection *Natural stone fireplaces plus*

Gas Fires & fireplace suites

This brochure is divided into 2 parts, starting with our Designer range of natural stone fireplaces and followed by our Newman Eco gas fire and stove range, you will also find a complimentary range of fireplaces that are available separately.

Designer collection *Natural Stone Fireplaces*

Thank you for showing an interest in our natural stone fireplace collection. As you browse through this catalogue you will find a very comprehensive range, many being offered in various sizes. There are styles to suit almost any room from traditional to contemporary, including our award winning designs.

Our fireplaces are manufactured to the highest standards using only the best available materials with each stage of manufacture being monitored with strict quality control procedures.

Please note our attention to detail as each piece of stone is carefully selected from the very best available material. We are able to modify some of the fireplace models shown, ie; Fire opening sizes, Hearth sizes and rebate alterations subject to request.

Natural stone is a beautiful material offering a fireplace that is truly unique each having its own natural variation in shading and markings. Most of our natural stones have neutral colours making it easy to blend with decorations and furnishings for now and the future.

We supply only to fireplace retail specialists within the UK. This has the advantage of viewing some of our products usually within close proximity to where you live. Also the dealer can offer professional advice and surveys for your chosen product giving you total peace of mind, a very important part of any fireplace purchase.

We hope you enjoy this brochure and we are confident that you will agree that our fireplaces would be a true focal point to any room giving class, warmth and lasting beauty which can be admired for many years to come.

Important:

- a) All dimensions shown are approximate.
- b) Every effort is made to show correct colour representation, although no guarantees can be given due to the printing process. Customers are advised to view appliances and fireplaces at their chosen fireplace retailer.
- c) The flame picture to any gas appliance can vary due to the infinite installation parameters such as chimney pull etc.
- d) Any electrical fireplace lighting or parts must be checked and installed by a suitably qualified and competent electrician complying with building regulations and any rules in force.
- e) All of our fireplace collection is manufactured from natural stone and as such natural variation will occur, this will include shading, veining, fossils, crystal lines and any other natural variation.
- f) All Newman products should be inspected before installation, for quality, damage and correct items supplied. No refunds or returns will be given if goods have been installed without prior inspection by the customer to confirm everything is acceptable.
- g) It is advised that when the fireplace has fully dried after installation that all external surfaces are sealed with a suitable stone sealer. Ask your fireplace retailer for advice.
- h) Fireplaces must be installed to Building regulations and any Rules in force by a suitably qualified and competent installer.

Prices are available from your fireplace retailer for fireplaces and appliances.

Any ornaments, furnishings and room lighting shown within this brochure are not part of any fireplace sale and not available separately. Newman Fireplaces Ltd always strive for continued improvement, therefore, designs and products are occasionally altered or discontinued without prior notice. (A reserved right). It is advised that you contact your retailer for advice regarding any known changes before commencing any planning or works for your intended purchase.

Down lights must not be installed with any solid fuel or wood burning appliance.

If using any solid fuel or wood burning appliance, hearths and back panels should be sectioned to allow for thermal expansion, ask your fireplace retailer for further advice.

Any description used for each fireplace is in the view of the editor only and must not be used as a factual statement.

Current appliances within this brochure are available separately. Please see our dedicated wood and multi fuel stove and electric fire brochures showing a further collection of appliances.





*Quality & style
is our passion*

Products

4-5	Alcudia	18-19	Birre	32-33	Algarve
6-7	Ventosa	20-21	Calvia	34-35	Cadiz
8-9	Moncado	22-23	Viana	36-37	Faro
10-11	Elda	24-25	Leon	38-39	Malaga
12-13	Camacha	26-27	Mertola	40-41	Santiago
14-15	Estoril	28-29	Toledo	42-43	Galiza
16-17	Catalonia	30-31	Avalade		

ALCUDIA

Quality & style
is our passion

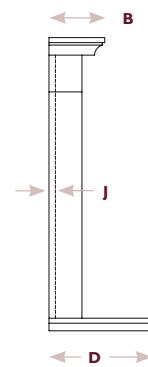
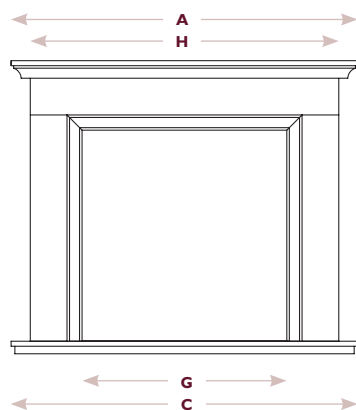


The Alcudia fireplace model certainly possesses the wow factor. A design that will look equally at home whether it be a modern or traditional interior. Sumptuous carved inner moulding completes this stunning design.

- Materials shown:** Portuguese limestone mantel.
Honed black granite hearth.
Stone block design vermiculite chamber.
- Also available:** Bella crème natural stone.
Also available: Polished black granite hearths.
Also available: Brick, Herringbone, Reeded or Plain vermiculite chamber panel designs.
- Suitable for:** Compatible wood burning, multi fuel burning stoves, gas stoves and electric stoves.
- Available in:** 1220mm and 1372mm wide versions.
- Optional extras:**
- Made to measure hearth and slips subject to request. (Bella Crème only)
 - Alterations to rebate subject to request
 - Natural stone chamber, (Bella Crème only)

Shown with a multi fuel stove.





Measurements

	48"	54"
A	1220	1372
B	220	220
C	1220	1372
D	406	406
E	1085	1160
F	815	835
G	775	810
H	1115	1220
J	25	25

VENTOSA

Quality & style
is our passion



A stunning all new design created by our talented design team. The striking inset arch with its fine outer etching is simply stunning. The careful use of two natural stones combines to give a magnificent effect to this first class design.

Material shown: Combination of Portuguese limestone and natural Medistone.

Suitable for: Compatible gas and electric fires.

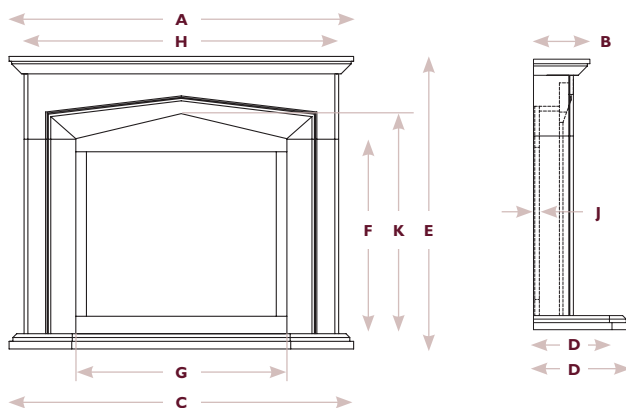
Available in: 1372mm wide version.

Optional extras:

- Slip set to suit compatible inset fires.
- Ambient down light kit available.

Shown with the Newman Eco View high efficiency gas fire, with high definition logs set and deluxe fire trim.





Measurements

	54"
A	1372
B	240
C	1372
D	335/410
E	1165
F	775
G	840
H	1252
J	25
K	876

MONCADO

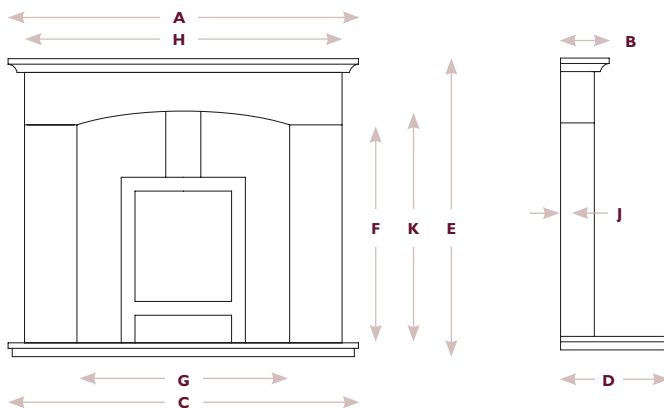
Quality & style
is our passion



The gentle curved arch and expertly profiled shelf give this fireplace immense charm. A fireplace design suited for both modern and traditional interiors.

- Materials shown:** Natural Medistone mantel.
Honed black granite hearth.
Vermiculite chamber, Brick design.
- Option of:** Polished black granite hearth.
- Option of:** Stone block, Reeded, Herringbone or Plain vermiculite chamber panel designs.
- Suitable for:** Compatible wood burning, multi fuel burning stoves, gas stoves and electric stoves.
- Available in:** 1270mm wide version.
- Optional extras:**
- Slip set to suit compatible inset fires.
 - Ambient down light kit available.
(Light kit not suitable for wood or multi fuel stoves).





Measurements

	50"
A	1270
B	180
C	1220
D	407
E	1080
F	790
G	770
H	1150
J	25
K	840

Quality & style
is our passion



The clean crisp lines of the Elda mantel, incorporates solid tapered leg fascia's achieving simplicity and character all from one design.

Materials shown: Bella Crème natural limestone mantel.
Honed black granite hearth.
Stone block design vermiculite chamber.

Also available: Polished black granite hearths.

Also available: Brick, Herringbone, Reeded or Plain vermiculite chamber panel designs.

Suitable for: Compatible wood burning, multi fuel burning stoves, gas stoves and electric stoves.

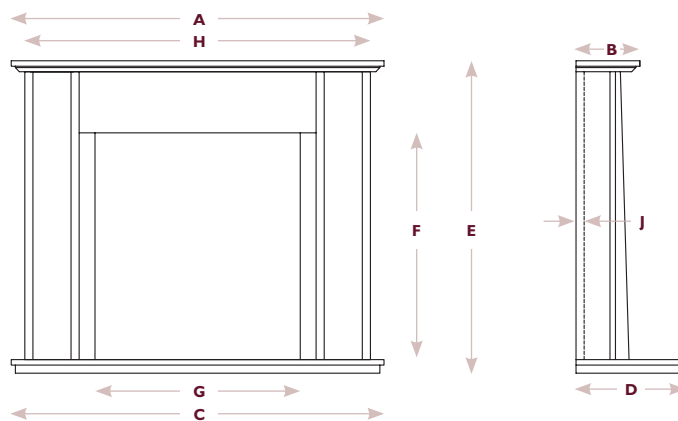
Available in: 1372mm wide version.

Optional extras:

- Made to measure hearth and slips subject to request.
- Natural stone chamber, (Bella Crème only)
- Ambient down light kit available.
(Light kit not suitable for wood or multi fuel stoves).

Fireplace shown with a multi fuel stove.





Measurements

	54"
A	1372
B	235
C	1372
D	406
E	1150
F	835
G	755
H	1272
J	30

CAMACHA

Quality & style
is our passion



The Camacha fireplace possesses clean lines and hand crafted solid stone corbels. A striking design suitable for both modern, and more traditional living spaces.

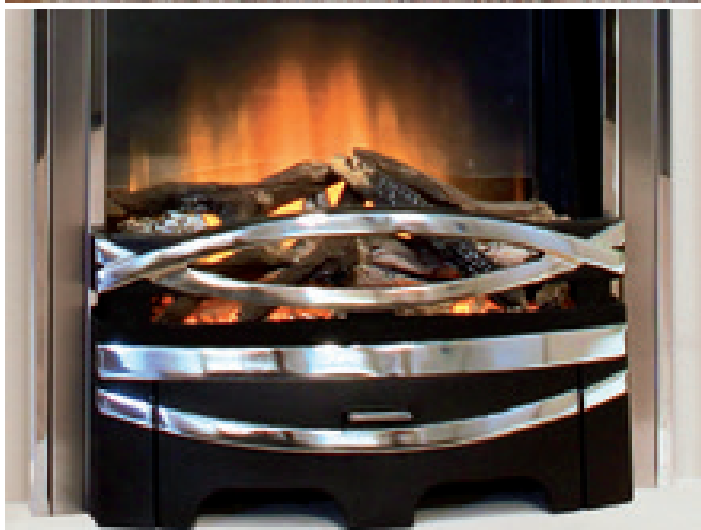
Materials shown: Portuguese limestone.

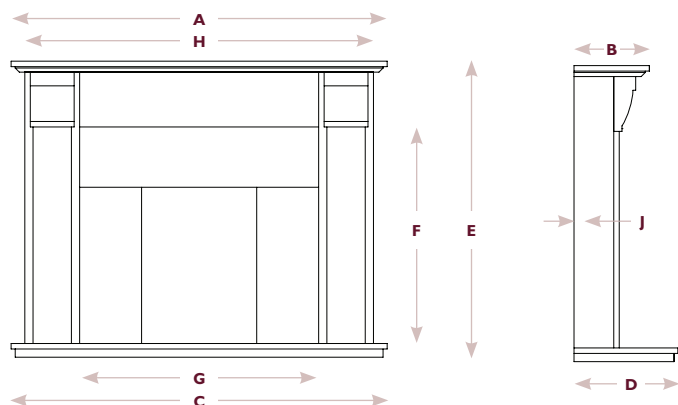
Suitable for: Compatible gas and electric fires.

Available in: 1372mm wide version.

Optional extras: • Ambient down light kit available.

Shown with the Gotham 400 electric fire including the Newman high definition log set, Rhapsody fire front in chrome and black finish and Radiance fire trim in polished and satin stainless steel finish.





Measurements

	54"
A	1372
B	275
C	1372
D	380
E	1150
F	835
G	872
H	1272
J	30

ESTORIL

Quality & style
is our passion



The Estoril is an absolutely stunning fireplace. A masterpiece in design, manufactured to the highest standards. With the crafted shaped legs and wonderful carved profiles this fireplace will adorn most rooms to give a magnificent feature that is sure to take centre stage. This fireplace is available in three standard versions and one Eco version specially designed to accommodate the Newman Eco Ultra Vision high efficiency gas fire.

Materials shown: Portuguese limestone.

Suitable for: Compatible gas and electric fires.

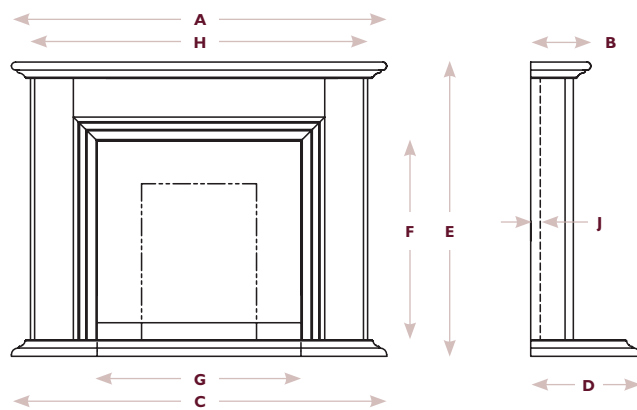
Available in: 1372mm, 1524mm wide versions in Portuguese limestone.
1372mm wide Eco Estoril in Bella Crème.

Optional extras: • Slip set to suit compatible inset fires.

Main picture shows 1372mm wide Eco Estoril with the Newman Eco Ultra Vision high efficiency gas fire with high definition logs.

Inset picture shows 1372mm wide standard Estoril with the Gotham 400 electric fire including the Newman high definition log set, Melody fire front in chrome and black finish and Radiance fire trim in polished and satin stainless steel finish.





Measurements

	54"	60"	54" ECO
A	1372	1524	1372
B	220	220	220
C	1372	1524	1372
D	400	400	400
E	1075	1075	1075
F	691	691	730
G	613	766	750
H	1235	1387	1231
J	35	35	35

CATALONIA

Quality & style
is our passion



A beautiful fireplace of more traditional design expertly carved from natural stone.

Materials shown: Rustica natural stone mantel.
(Note: Rustica stone is no longer available now manufactured in our stunning Bella Crème natural limestone).
Honed black granite hearth and slips.
Vermiculite chamber, Brick design.

Option of: Polished black granite hearth and slips.

Option of: Stone block, Reeded, Herringbone or Plain vermiculite chamber panel designs.

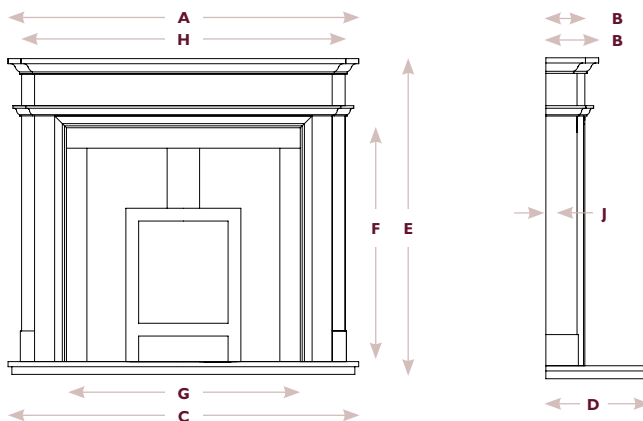
Suitable for: Compatible wood burning, multi fuel burning stoves, gas stoves and electric stoves.

Available in: 1372mm wide version.

Optional extras:

- Matching Bella Crème natural stone hearth.
- Matching Bella Crème natural stone slip set.
- Matching Bella Crème natural stone chamber.
- Made to measure hearth and slip set in Bella Crème natural stone subject to request.
- Alterations to rebate subject to request
- Ambient down light kit available.
(Light kit not suitable for wood or multi fuel stoves).





Measurements

	54"
A	1372
B	173 / 203
C	1372
D	407
E	1235
F	915
G	915
H	1266
J	25

BIRRE

Quality & style
is our passion



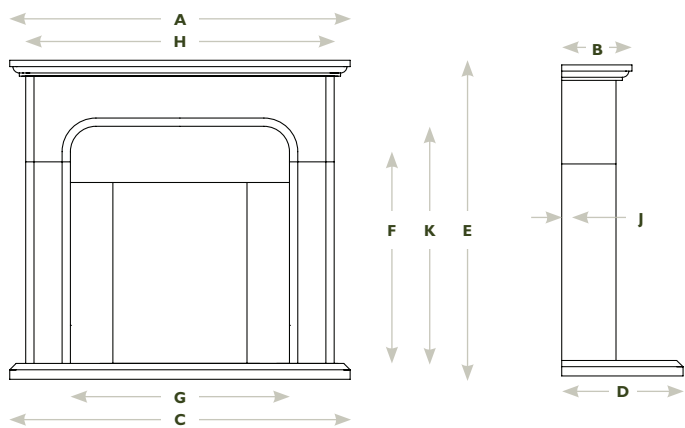
A splendid design incorporating, clean lines that is sure to impress. Straight lines and gentle curves make it the perfect choice for any room.

Material shown: Portuguese limestone.
Suitable for: Compatible gas and electric fires.
Available in: 1220mm wide version.

Optional extras: • Ambient down light kit available.

Shown with the Gotham 400 electric fire including the Newman high definition log set, Melody fire front in chrome and black finish and Radiance fire trim in polished and satin stainless steel finish.





Measurements

	48"
A	1220
B	220
C	1220
D	380
E	1035
F	695
G	780
H	1120
J	75
K	775

CALVIA

Quality & style
is our passion



A re worked classical design capturing the atmosphere of the original but possessing clean up to date lines for today's living.

Materials shown: Portuguese limestone mantel.
Honed black granite hearth.

Brick design vermiculite chamber.

Also available: Polished black granite hearths.

Also available: Stone block, Herringbone, Reeded or
Plain vermiculite chamber panel designs.

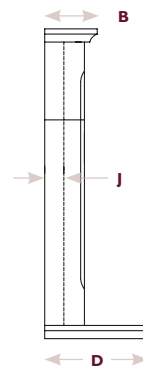
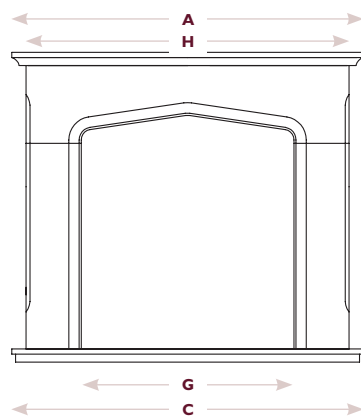
Suitable for: Compatible wood burning and multi fuel burning
stoves, gas stoves and electric stoves.

Available in: 1372mm wide version.

Materials available: Mantel: Portuguese limestone.
Mantel: Bella Crème natural stone.
Mantel: Natural Medistone.

- Optional extras:**
- Available with a matching natural stone chamber. (Bella Crème only).
 - Available with a matching stone hearth and slip set subject to request. (Bella Crème natural stone only).
 - Available with a slip set to enable compatible inset gas and electric fires to be used. (Bella Crème natural stone only).
 - Alterations to rebate depth subject to request.





Measurements

	54"
A	1372
B	205
C	1372
D	406
E	1175
F	780
G	830
H	1260
J	75
K	886

VIANA

Quality & style
is our passion



A fireplace with timeless appeal. Based on a traditional design but with a more modern feel. Hand finished by our gifted stone masons creating a fireplace of distinction.

Materials shown: Portuguese limestone.

Suitable for: Compatible gas and electric fires.

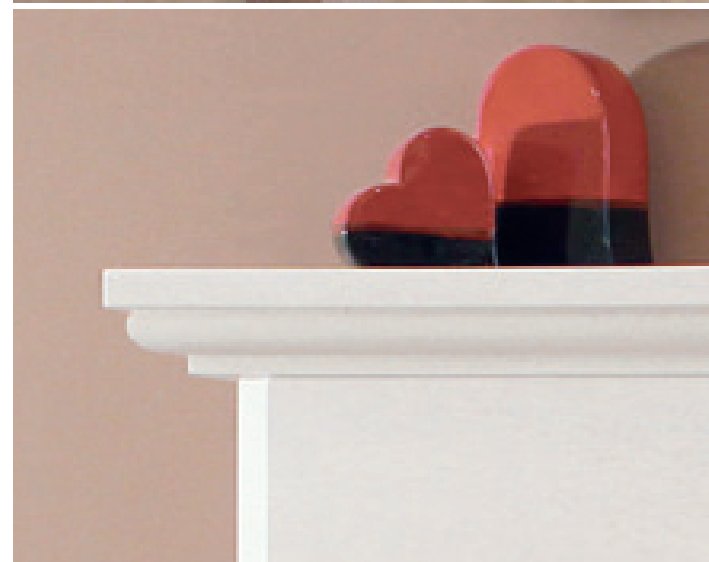
Available in: 1220mm wide version.

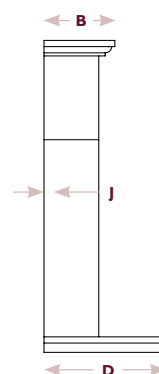
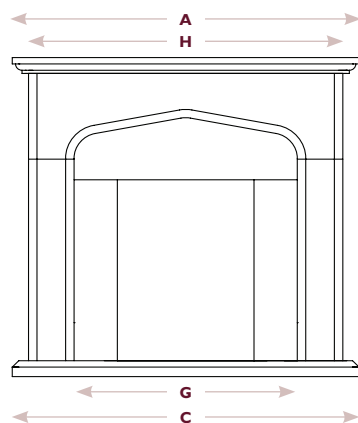
Optional extras:

- Manufactured in Bella Crème natural stone.
- Made to measure hearth and slip set subject to request. (Bella Crème natural stone only).
- Alterations to rebate depth subject to request.
- Ambient down light kit available.

The right hand picture shows the Viana fireplace combined with the Gotham 400 electric fire including the Newman high definition log set, Melody fire front in chrome and black finish and the Radiance fire trim in polished and satin stainless steel finish.

The left hand picture shows the Viana fireplace combined with the Gotham 400 electric fire including the Newman high definition log set, Rhapsody fire front in chrome and black finish and the Radiance fire trim in polished and satin stainless steel finish.





Measurements

	48"
A	1220
B	220
C	1220
D	380
E	1035
F	665
G	780
H	1120
J	75
K	795

LEON

Quality & style
is our passion



The ideal fireplace design will look equally at home in both traditional and more modern interiors.

Materials shown: Bella Crème natural stone mantel.

Honed black granite hearth and slips.

Vermiculite chamber Reeded design.

Option of: Polished black granite hearth and slips.

Option of: Stone block, Brick, Herringbone or

Plain vermiculite chamber panel designs.

Suitable for: Compatible wood burning, multi fuel burning

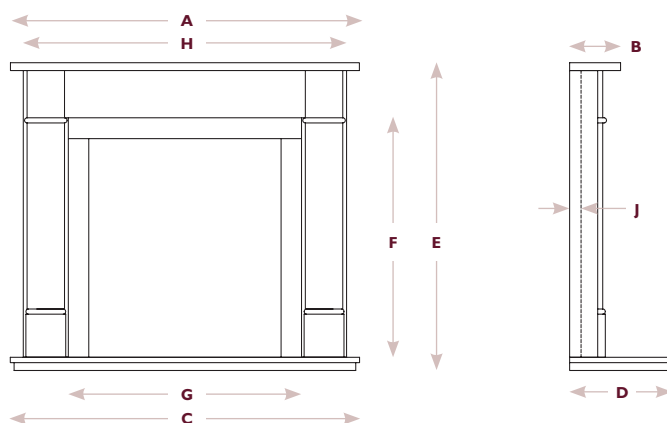
stoves, gas stoves and electric stoves.

Available in: 1372mm wide version.

Optional extras:

- Matching Bella Crème natural stone chamber.
- Matching Bella Crème natural stone hearth and slip set.
- Matching Bella Crème natural stone chamber.
- Made to measure hearth and slip set in either black granite or Bella Crème subject to request.
- Slip set to suit compatible inset fires in either black granite or Bella Crème subject to request.
- Ambient down light kit available.
(Light kit not suitable for wood or multi fuel stoves).





Measurements

	54"
A	1370
B	200
C	1372
D	407
E	1175
F	915
G	915
H	1270
J	45

MERTOLA

Quality & style
is our passion

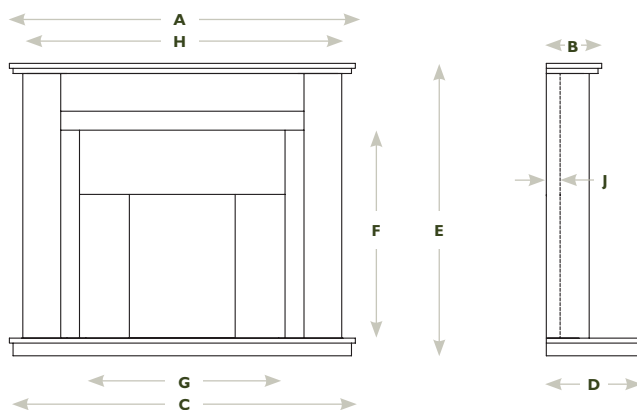


Impressive contemporary styling, create a fireplace design of real visual impact and extreme appeal.

- Materials shown:** Bella Crème natural limestone.
Suitable for: Compatible gas and electric fires.
Available in: 1220mm and 1372mm wide versions.
Optional extras:
- Made to measure hearth and slip set subject to request.
 - Alterations to rebate subject to request
 - Ambient down light kit available.

Main picture shows the Mertola 1372mm fireplace shown with the Gotham 400 electric fire including the Newman high definition log set, Melody fire front in chrome and black finish and Radiance fire trim in polished and satin stainless steel finish.





Measurements

	48"	54"
A	1220	1372
B	220	220
C	1220	1372
D	380	380
E	1110	1160
F	775	825
G	663	815
H	1113	1265
J	55	55

TOLEDO

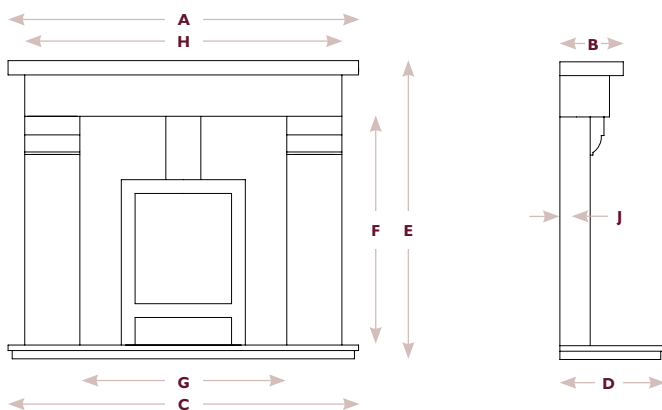
Quality & style
is our passion



A very popular choice, the Toledo boasts solid natural stone carved corbels, a well-balanced design with huge appeal.

- Materials shown:** Natural Medistone mantel.
Honed black granite hearth.
Vermiculite chamber Brick design.
- Option of:** Polished black granite hearth.
- Option of:** Stone block, Herringbone, Reeded or Plain vermiculite chamber panel designs.
- Suitable for:** Compatible wood burning, multi fuel burning stoves, gas stoves and electric stoves.
- Available in:** 1270mm wide version.
- Optional extras:**
- Slip set to suit compatible inset fires.
 - Portuguese limestone mantel including standard hearth & slip set.
 - Black granite slip set to suit compatible inset fires subject to request.
 - Black granite made to measure hearth subject to request.
 - Alterations to rebate subject to request
 - Ambient down light kit available.
(Light kit not suitable for wood or multi fuel stoves).





Measurements

	50"
A	1270
B	230
C	1220
D	407
E	1090
F	830
G	751
H	1151
J	25

AVALADE

Quality & style
is our passion



A wonderful design incorporating straight lines and gentle curves make the Avalade a perfect choice for any room. A fireplace design with bags of appeal.

Materials shown: Portuguese limestone.

Suitable for: Compatible gas and electric fires.

Available in: 1066mm, 1220mm and 1372mm wide versions.

Available materials: 1066mm wide: Bella Crème natural limestone.

1220mm wide: Portuguese limestone & Bella Crème limestone.

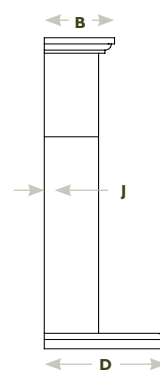
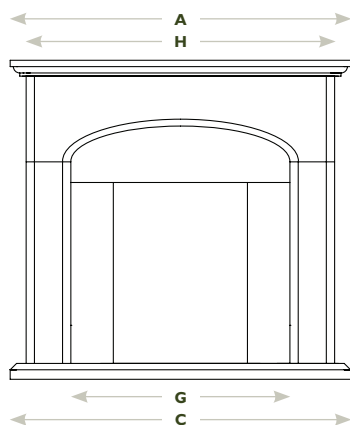
1372mm wide: Bella Crème limestone.

Optional extras:

- Made to measure slips subject to request.
- Made to measure hearths in Bella Crème limestone subject to request.
- Rebate alterations subject to request.
- Ambient down light kit available.

Shown with the Newman Eco Zest high efficiency gas fire combined with the Eclipse fire front in chrome and black finish and the Radiance fire trim in polished and satin stainless steel finish.





Measurements

	42"	48"	54"
A	1066	1220	1372
B	220	220	220
C	1066	1220	1372
D	380	380	380
E	1005	1035	1115
F	655	667	725
G	686	780	892
H	966	1120	1272
J	25	25	25
K	767	795	855

ALGARVE

Quality & style
is our passion



The Algarve is of classical design with timeless appeal. The Tudor arch design and arch carving detail create a stunning centre piece with sensational results. Popular in both modern and traditional settings.

Materials shown: Portuguese limestone.
Also available in Bella Crème limestone.

Suitable for: Compatible gas and electric fires.

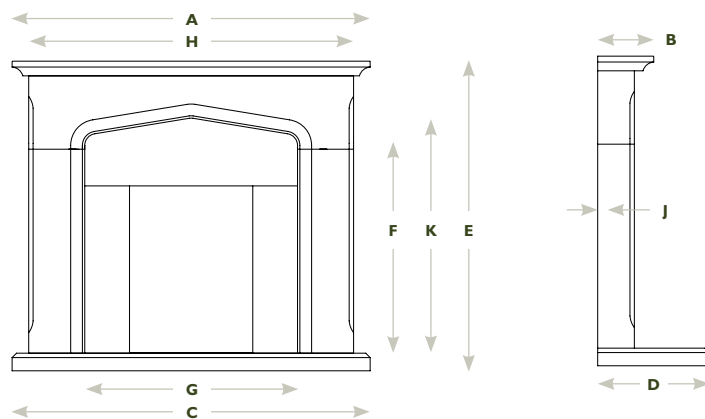
Available in: 1220mm and 1372mm wide versions.

Optional extras:

- Manufactured in Bella Crème natural stone.
- Made to measure hearth and slip set available in Bella Crème limestone.
- Rebate alterations subject to request.

Shown with the Newman Eco Zest high efficiency gas fire combined with the Melody fire front in chrome and black finish and the Radiance fire trim in polished and satin stainless steel finish.





Measurements

	48"	54"
A	1220	1372
B	190	205
C	1220	1372
D	380	400
E	1075	1175
F	720	780
G	740	830
H	1100	1260
J	55	25
K	830	886

CADIZ

Quality & style
is our passion



A bold design of grandeur and stature with clean modern lines.

Materials shown: Natural Rustic Medistone mantel.
(Also available in Medistone Smooth natural stone).
Honed black granite hearth.
Vermiculite chamber Brick design.

Option of: Polished black granite hearth.

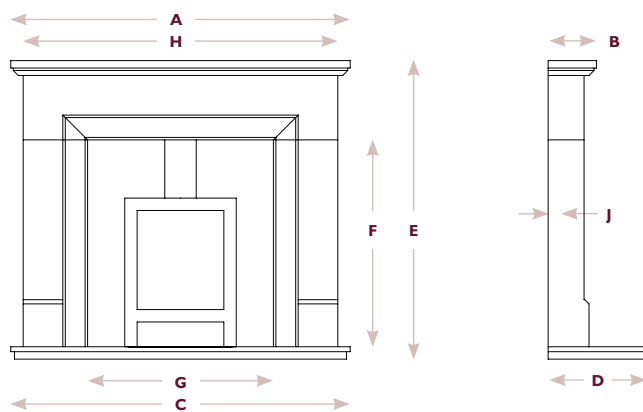
Option of: Stone block, Reeded, Herringbone and Plain
vermiculite chamber designs.

Suitable for: Compatible wood burning, multi fuel burning stoves,
gas stoves and electric stoves.

Optional extras: Slip set to suit compatible inset fires.

Shown with a multi fuel burning stove.





Measurements

	54"
A	1372
B	195
C	1372
D	407
E	1210
F	835
G	760
H	1265
J	25

FARO

Quality & style
is our passion



Bold and simple lines are at the forefront of this popular design. A fireplace model, that blends well with most room styles. Available in two standard sizes.

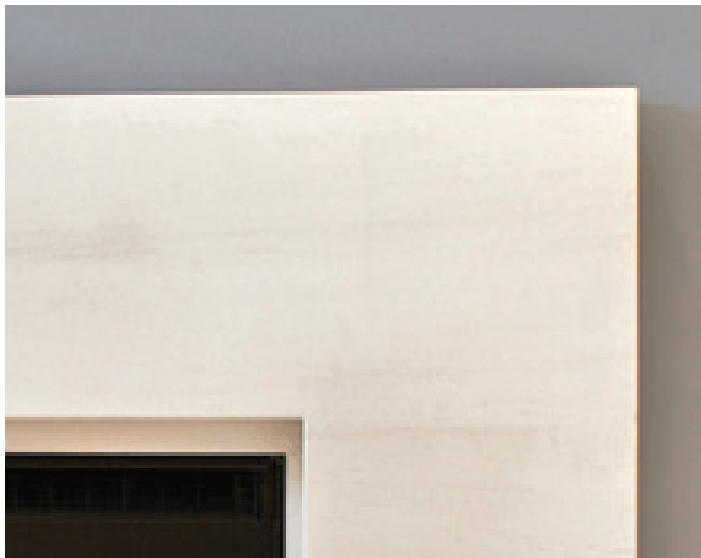
Materials shown: Portuguese limestone.

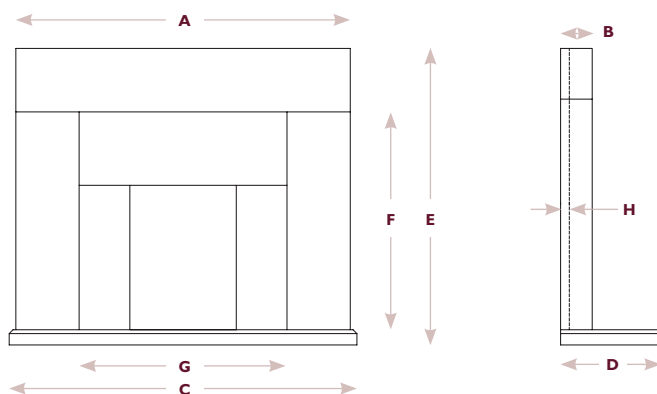
Suitable for: Compatible gas and electric fires.

Available in: 1220mm and 1372mm wide standard versions.

Optional extras: • Ambient down light kit available.

Shown with the 1372mm Faro version incorporating the Newman Eco Ultra Vision high efficiency gas fire with high definition logs.





Measurements

	48"	54"
A	1170	1320
B	125	125
C	1220	1370
D	400	400
E	1070	1170
F	810	860
G	770	820
H	25	25

MALAGA

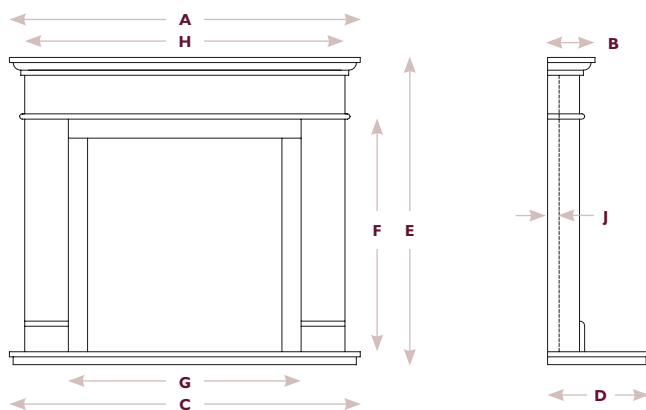
Quality & style
is our passion



A fireplace design possessing, prominence and style. Suitable for both modern and traditional living spaces.

- Materials shown:** Natural Medistone mantel
Honed black granite hearth and slips.
Vermiculite chamber Reeded design.
- Option of:** Polished black granite hearth and slips.
- Option of:** Stone block, Brick, Herringbone or
Plain vermiculite chamber panel designs.
- Suitable for:** Compatible wood burning, multi fuel burning
stoves, gas stoves and electric stoves.
- Available in:** 1372mm wide version.
- Optional extras:**
- Black granite made to measure hearth and slips subject to request.
 - Ambient down light kit available.
(Light kit not suitable for wood or multi fuel stoves).





Measurements

	54"
A	1372
B	185
C	1372
D	407
E	1201
F	910
G	910
H	1252
J	45

SANTIAGO

Quality & style
is our passion



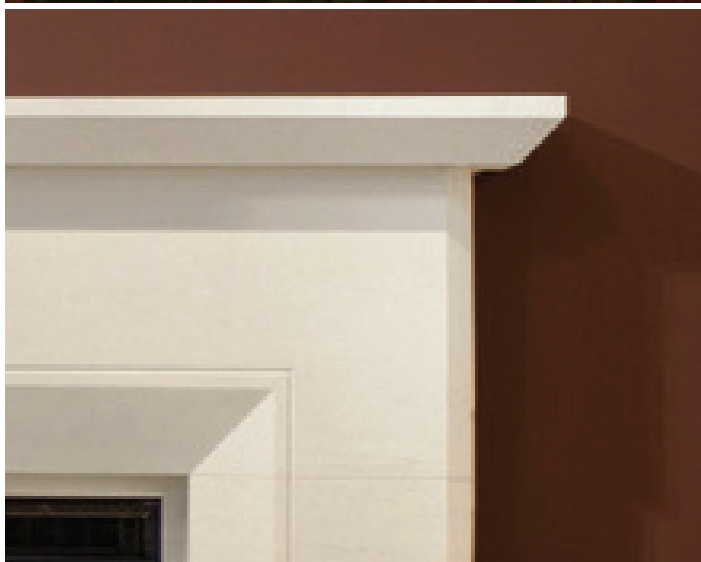
This splendid design possesses clean angular lines with just enough detail to highlight the frames large inner bevel creating a fireplace of more minimalist appeal with outstanding results.

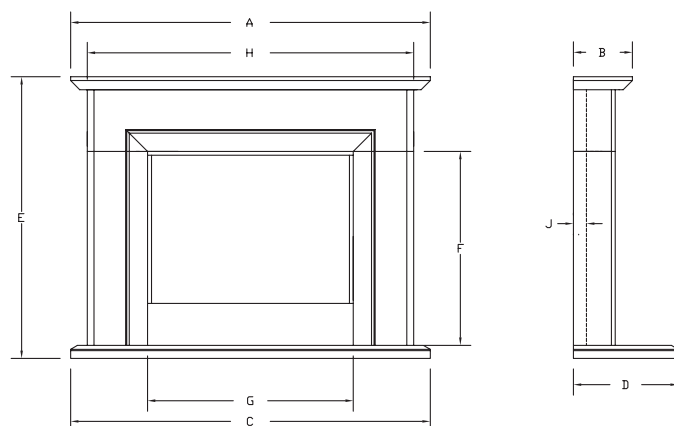
Material shown: Portuguese limestone. Also available in Bella Crème limestone.
Suitable for: Compatible gas and electric fires.
Available in: 1372mm wide version.

Optional extras:

- Made to measure hearth and slip set available in Bella Crème limestone.
- Ambient down light kit available.
- Slip sets to suit compatible fires.

Shown with the Newman Eco View high efficiency gas fire with high definition logs and deluxe trim.





Measurements

	54"
A	1372
B	225
C	1372
D	400
E	1095
F	765
G	785
H	1245
J	25 or 50

GALIZA

Quality & style
is our passion



Concours d'Elegance is the only words to describe this magnificent fireplace. Carved from solid stone to an impeccable standard, if class is what you are looking for then this is the fireplace.

Materials shown: Natural Medistone mantel, slips, curb and chamber. Now only available in beautiful Bella Crème natural limestone.
Honed black granite hearth inlay.

Option of: Bella Crème limestone hearth inlay.

Option of: Polished black granite hearth inlay.

Suitable for: Compatible wood burning, multi fuel burning stoves, gas stoves and electric stoves.

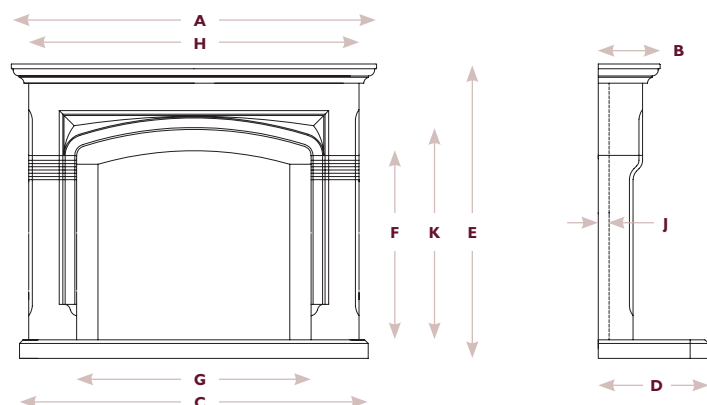
Available in: 1524mm wide version.

Optional extras:

- Made to measure slip set subject to request.
- Slip set to suit compatible inset fires.

Fireplace shown with a multi fuel stove.





Measurements

	60"
A	1524
B	258
C	1455
D	390-460
E	1228
F	806
G	978
H	1378
J	45
K	915

Welcome to

 **NewmanEco** Gas Fires

& fireplace suites

Many of our fireplaces within the Designer and Eco gas fire brochure can be adapted to accept most of our Eco range of gas fires and stoves plus many other types of gas fires and electric fires including wood and multi fuel stoves subject to request, please ask your fireplace retailer for advice.

Contents

45	Introduction
46-47	Newman Eco Ultra Vision gas fire - Shown with Sirocco fireplace
48-49	Newman Eco Zest CF3 gas fire - Shown with Tempest fireplace
50-51	Newman Eco View gas fire - Shown with Rio fireplace
52-53	Newman Eco Ultra Vision gas fire - Shown with Vogue fireplace
54-55	Newman Eco Clarity gas fire - Shown with Manhattan fireplace
56-57	Newman Eco Ultra Vision gas fire - Shown with Hurricane fireplace
58-59	Newman Eco Clarity gas fire - Shown with Zonda fireplace
60-61	Newman Eco Clarity gas fire - Shown with Modena fireplace
62-63	Newman FlameView ST1 gas stove - Shown with Cotswold fireplace
64-65	Newman Eco Elegance gas fire - Shown with Storm fireplace
66-67	Newman FlameView ST1 gas stove - Shown with Lynton fireplace
68-69	Newman Eco Ultra Vision gas fire - Shown with Eco Taw fireplace
70-71	Newman Eco Ultra Vision gas fire - Shown with Eco Estoril fireplace
72-73	Newman FlameView ST1 gas stove - Shown with Vanity fireplace
74-75	Newman Eco Ultra Vision gas fire - Shown with Mereta fireplace
76-77	Newman Eco Clarity gas fire - Shown with Mistral fireplace
78-79	Newman Eco View gas fire - Shown with Santiago fireplace
80-81	Newman Eco View gas fire - Shown with Ventosa fireplace
82-83	Newman Eco Panorama gas fire
84-85	Newman Eco View gas fire - Shown with Tornado fireplace

a) All dimensions shown are approximate.

b) Every effort is made to show correct colour representation, although no guarantees can be given due to the printing process. Customers are advised to view gas appliances and fireplaces at their chosen fireplace retailer.

c) The flame picture to all gas appliances can vary due to the infinite installation parameters such as chimney pull etc.

d) It is the law that only competent persons install any gas appliance i.e. a gas registered installer in accordance with the current edition of the gas safety (installation and use) regulations and the rules in force. The installer must be gas safe registered, (G.B. and I.E). Refer to the instruction manual to each appliance for full details.

e) Fireplaces must be installed to building regulations and any rules in force by a suitably qualified and competent installer.

f) Any electrical fireplace lighting or parts must be checked and installed by a suitably qualified and competent electrician complying with building regulations and any rules in force.

g) All of our fireplace collection is manufactured from natural stone and as such natural variation will occur, this will include shading, veining, fossils, crystal lines and any other natural variation.

h) All Newman products should be inspected before installation, for quality, damage and correct items supplied. No refunds or returns will be given if goods have been installed without prior inspection by the customer to confirm everything is acceptable.

j) It is advised that when the fireplace has fully dried after installation that all external surfaces are sealed with a suitable stone sealer. Ask your fireplace retailer for advice.

k) This brochure is for the sole purpose of displaying gas appliances and fireplaces only any other items shown are not part of any gas appliance or fireplace sale.

l) Any description used for each fireplace and gas appliance is in the view of the editor only and must not be used as a factual statement.

Newman Fireplaces Ltd always strive for continued improvement, therefore designs and products are occasionally altered or discontinued without prior notice. (A reserved right). It is advised that you contact your retailer for advice regarding any known changes before commencing any planning or works for your intended purchase.

High Performance Gas Fires

Clarity - Elegance - Panorama - Ultra Vision - View

The Newman Eco collection combine exceptional build quality, rigorous safety testing, superb efficiency, innovative designs with superb realism.

Designed and manufactured within the UK using state of the art machines incorporating a dedicated research and development team so the latest technology can be explored and developed enabling our most up to date fires becoming available.

Our High Efficiency gas fires consists of 5 models in varying sizes, all look stunning when incorporated into one of our natural stone fireplace models, from modern contemporary designs to traditional styles to suit all tastes.

All of our Newman High Efficiency gas fires are CE approved using a glass frontage with the option of non reflective glass to some models if preferred, hand held remote for effortless control. We offer a range of chamber styles including black and cream to all models and our optional luxury smoked glass available for the Newman Eco Ultra Vision and Panorama model giving an effect of pure class.

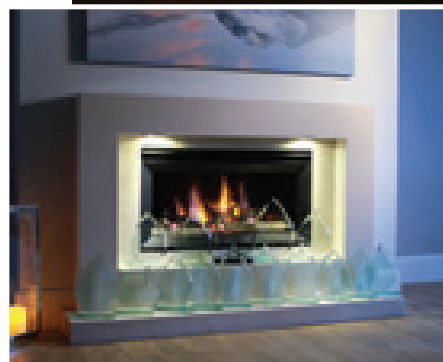
Superb realism to the fuel bed is achieved by the use of our High Definition ceramic logs faithfully reproduced from various types of wood including Beech, this combined with mesmerising lazy flames and a glowing ember fuel bed create realism that has to be seen to be believed.

NewmanEco Zest CF3

A superb 16" glass fronted high efficiency gas fire boasting a great heat output. Available with a selection of; fire fronts, fire frames and fuel beds enabling the customer to achieve the look of their choice. Remote controlled or manual control available.

NewmanEco Distinction High Output gas fires

Our Newman Eco distinction is a traditional 16" inset open fronted gas fire offering fantastic realism and high output for this type of fire. Manufactured to the highest standard and CE approved this wonderful fire offers quality and realism, offered with a wide range of options including chrome side chambers enhancing the dancing flames and intense glow even further, a range of fire trims and fire fronts plus varying controls from manual to fully remote. One of the most realistic and hottest open fronted fires available giving up to a massive 3.88kw of heat output.



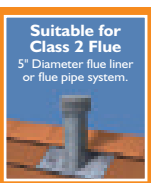
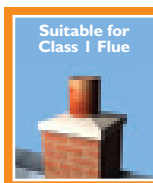
NewmanEco

Our Newman Eco Ultra Vision High Efficiency gas fire offers all of the advantages of a high efficiency gas fire with lower running costs and higher heat output but maintaining superb realism to the fuel bed by using our High Definition ceramic logs faithfully reproduced from various types of wood including Beech, this combined with mesmerising lazy flames and a glowing ember fuel bed complete the natural look.

All of our high efficiency gas fires have hand held remote control incorporating electronic room temperature control with a choice of cream or black fire chambers. Non reflective fascia glass is supplied as standard to the Newman Eco Ultra Vision making the glass frontage nearly invisible. Optional smoked glass chamber available. Enjoy the illusion of a deeper fire as the flames reflect, simply magical. Available with the standard trim or deluxe fire trim. Shown with the deluxe fire trim.

The **Sirocco 54"** fireplace shown offers outstanding visual appeal. Fine and delicate inlay of the finest quality really sets this fireplace apart. Shown in Bella Crème with Azul grey inlay natural stones, complete with the Newman Eco Ultra Vision high efficiency gas fire with stunning results.

Down lights are available as an optional extra for this fireplace model.



Terms and conditions apply

Sirocco Suite

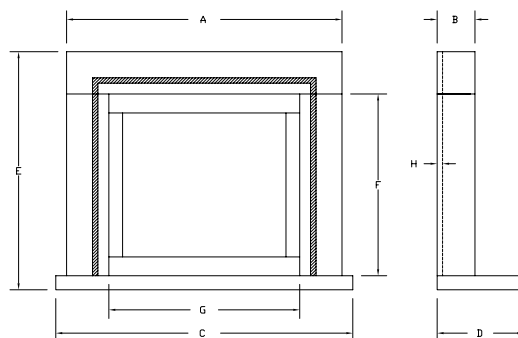
Fireplace Dimensions (mm)	A	B	C	D	E	F	G	H
54" Model	1272	170	1372	400	1100	840	882	25 or 50

Standard specifications and options

- NATURAL GAS
- HIGH EFFICIENCY
- LOG FUEL BED
- REMOTE CONTROL
- CREAM CHAMBER
- BLACK CHAMBER
- STANDARD TRIM
- DELUXE TRIM
- NON REFLECTIVE FASCIA GLASS

Optional Extras

- MIRRORED SMOKED GLASS CHAMBER
- FLUE ADAPTOR



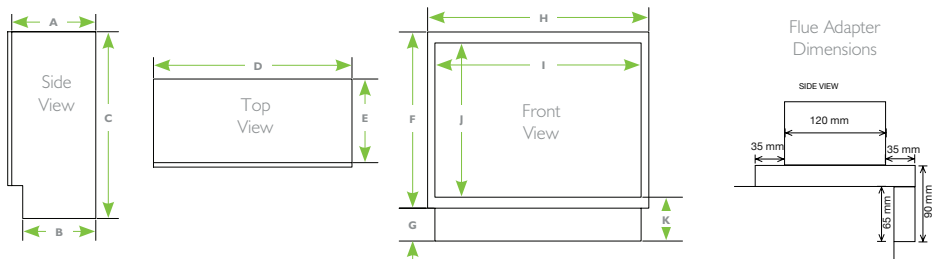


Optional Easy-Glide
LED down lights

Display shown with



- Gas input high: 6.5kw
- Gas input low: 2.9kw
- Heat output up to: 4.8kw
- Fuel bed: Logs
- Fully remote: Yes
- Convection heat: Yes
- Energy rating: Class D



Gas Fire Dimensions (mm)	A	B	C	D	E	F	G	H	I	J	K
	305	265	780	725	305	740	80	805	750	660	120



Optional Easy-Glide
LED down lights

Tempest Suite

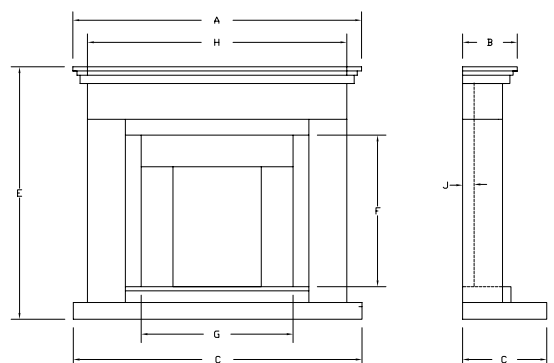
Fireplace Dimensions (mm)	A	B	C	D	E	F	G	H	J
54" Model	1372	260	1372	400	1200	720	722	1232	25 or 50
48" Model	1220	260	1220	400	1135	700	680	1080	25 or 50

Standard specifications and options

NATURAL GAS	HIGH EFFICIENCY	LOG FUEL BED	COAL FUEL BED	PEBBLE FUEL BED	BLACK CHAMBER	MANUAL CONTROL
STANDARD FIRE TRIM AS P29						

Optional Extras

REMOTE CONTROL	FIRE FRONTS AS P7	FIRE TRIMS AS P7
----------------	-------------------	------------------



NewmanEco zest CF3

A powerful and stunning glass fronted gas fire suitable for standard 16" x 22" (406 x 559mm) fire openings. Fantastic heat output and efficiencies combined with outstanding realism complete this impressive fire. Shown with the Rhapsody fire front shown in chrome and black finish and the Radiance fire trim in a combination of satin and polished stainless steel finish.

Shown with the **Tempest 54"** fireplace, manufactured from a combination of Bella Crème and Medistone smooth natural stones. A simple fireplace with stunning results when combined with the Newman Eco Zest CF3 high efficiency gas fire.

Also available in a 48" version.
This fireplace can be adapted to fit other fires subject to request.



Rhapsody

Newman Eco Zest shown with the Rhapsody cast iron fire front in chrome and black finish complimented with the Radiance fire trim that uses a combination of satin and polished stainless steel finish.



Eclipse

Newman Eco Zest shown with the Eclipse cast iron fire front in chrome and black finish complimented with the Galaxy fire trim that uses a combination of black and stainless steel finish.

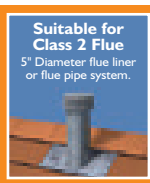
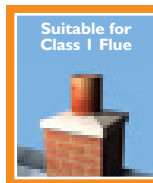


Melody

Newman Eco Zest shown with the Melody cast iron fire front in chrome and black finish complimented with the Galaxy fire trim that uses a combination of black and stainless steel finish.

Fire fronts; suitable for placement and securing in front of a compatible standard 16" (406) mm wide gas or electric fire opening.

Important note: Due to the heat of gas appliances some discoloration of the fire front is possible; this is normal and is not to be considered to be a fault.

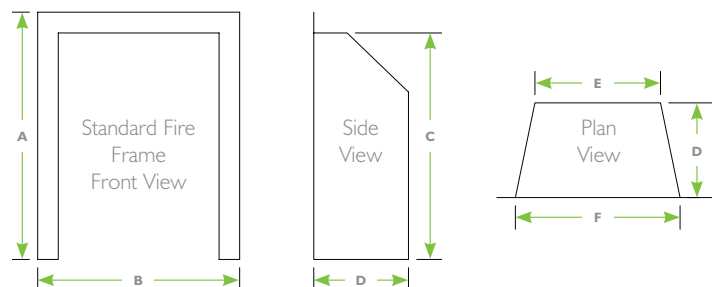


Terms and conditions apply

Display shown with



	Remote version	Manual version
Gas input high:	5.6kw	5.6kw
Gas input low:	3.7kw	3.7kw
Heat output up to:	4.3 lkw	4.03kw
Energy rating:	C	D



Gas Fire Dimensions (mm)	A	B	C	D	E	F
	600	495	550	275	255	410



Rio Suite

Fireplace Dimensions (mm)	A	B	C	D	E	F	G	H	J
	1372	185	1372	380	1075	825	952	1252	25

Standard specifications and options

NATURAL GAS

HIGH EFFICIENCY

LOG FUEL BED

REMOTE CONTROL

CREAM CHAMBER

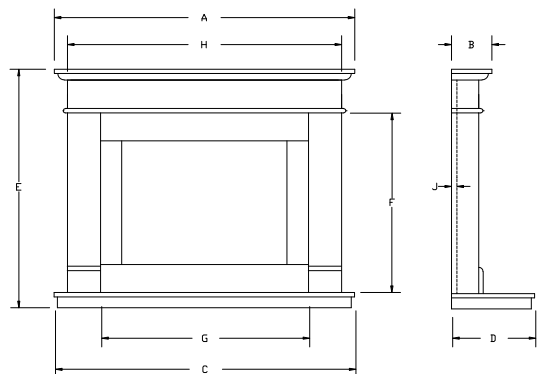
BLACK CHAMBER

STANDARD TRIM

DELUXE TRIM

FLUE ADAPTOR

Optional Extras

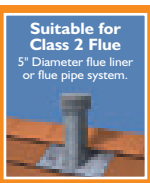
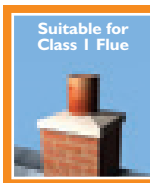


NewmanEco view

Our Newman Eco View High Efficiency gas fire offers all of the advantages of a high efficiency gas fire with lower running costs and higher heat output but maintaining superb realism to the fuel bed by using our High Definition ceramic logs faithfully reproduced from various types of wood including Beech, this combined with mesmerising lazy flames and a glowing ember fuel bed complete the natural look.

All of our high efficiency gas fires have hand held remote control incorporating electronic room temperature control with a choice of cream or black fire chambers. Available with the standard trim or deluxe fire trim. Shown with the deluxe fire trim.

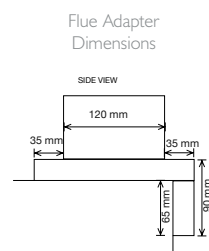
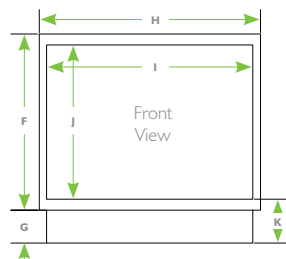
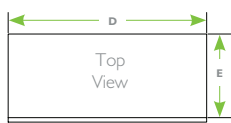
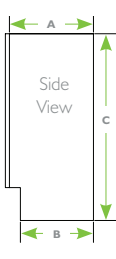
Shown with our **Rio** model natural limestone fireplace suite designed to accommodate the Newman Eco View High Efficiency fire to perfection. The Rio is ideal for most room settings, simplicity with subtle features create a design of longevity and great style. This fireplace can be adapted to fit other fires subject to request.



Display shown with

NewmanEco
view
High Performance Gas Fire

Gas input high: 5.5kw
 Gas input low: 2.9kw
 Heat output up to: 4.1kw
 Fuel bed: Logs
 Convection heat: Yes
 Fully remote: Yes
 Energy rating: Class D



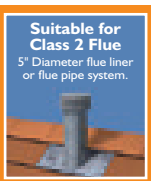
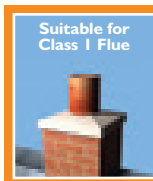
Gas Fire Dimensions (mm)	A	B	C	D	E	F	G	H	I	J	K
	305	265	680	722	305	640	80	805	750	560	120

All of our high efficiency gas fires have hand held remote control incorporating electronic room temperature control with a choice of cream or black fire chambers.

Non reflective fascia glass is supplied as standard to the Newman Eco Ultra Vision making the glass frontage nearly invisible.

Optional smoked glass chamber available. Enjoy the illusion of a deeper fire as the flames reflect, simply magical. Available with the standard trim or deluxe fire trim. Shown with the standard fire trim.

Our **Vogue** natural Portuguese limestone fireplace has been specifically designed to accommodate the Newman Eco Ultra Vision high efficiency gas fire, clean lines and contemporary styling are at the forefront of the stylish design. Designed to accommodate the Eco Newman Ultra Vision high efficiency gas fire with stunning results. This fireplace can be adapted to fit other fires subject to request.



Terms and conditions apply

Vogue Suite

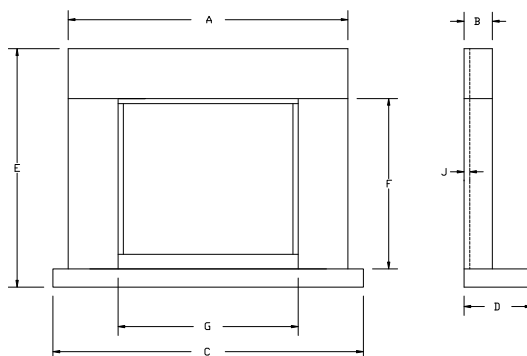
Fireplace Dimensions (mm)	A	B	C	D	E	F	G	J
	1236	125	1372	300	1053	753	796	25

Standard specifications and options

- NATURAL GAS
- HIGH EFFICIENCY
- LOG FUEL BED
- REMOTE CONTROL
- CREAM CHAMBER
- BLACK CHAMBER
- STANDARD TRIM
- DELUXE TRIM
- NON REFLECTIVE FASCIA GLASS

Optional Extras

- MIRRORED SMOKED GLASS CHAMBER
- FLUE ADAPTOR

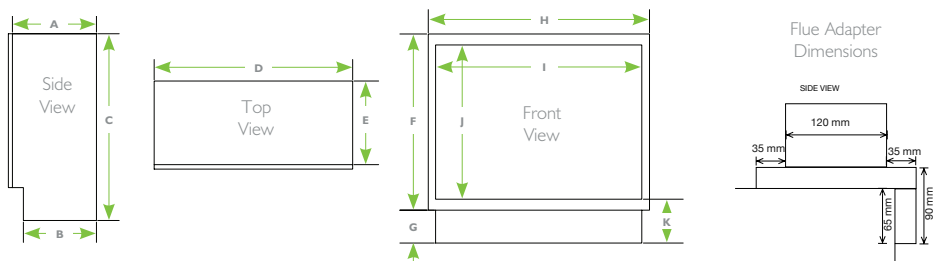




Display shown with



- Gas input high: 6.5kw
- Gas input low: 2.9kw
- Heat output up to: 4.8kw
- Fuel bed: Logs
- Convection heat: Yes
- Fully remote: Yes
- Energy rating: Class D



Gas Fire Dimensions (mm)	A	B	C	D	E	F	G	H	I	J	K
	305	265	780	725	305	740	80	805	750	660	120



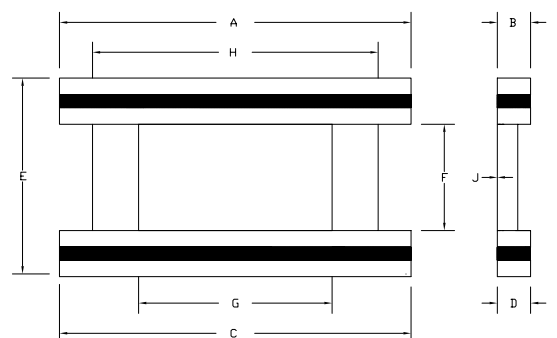
Manhattan Suite

Fireplace Dimensions (mm)	A	B	C	D	E	F	G	H	J
	1372	130	1372	130	764	415	755	1115	0

Standard specifications and options

Optional Extras

- NATURAL GAS
- HIGH EFFICIENCY
- LOG FUEL BED
- REMOTE CONTROL
- CREAM CHAMBER
- BLACK CHAMBER
- STANDARD TRIM
- DELUXE TRIM
- FLUE ADAPTOR



Our Newman Eco Clarity High Efficiency gas fire offers all of the advantages of a high efficiency gas fire with lower running costs and higher heat output but maintaining superb realism to the fuel bed by using our High Definition ceramic logs faithfully reproduced from various types of wood including Beech, this combined with mesmerising lazy flames and a glowing ember fuel bed complete the natural look.

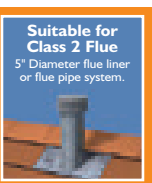
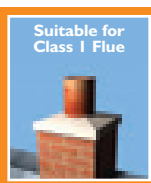
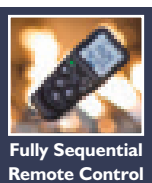
All of our high efficiency gas fires have hand held remote control incorporating electronic room temperature control with a choice of cream or black fire chambers. Available with the standard trim or deluxe fire trim. Shown with the deluxe fire trim.

The **Manhattan** hole in the wall fireplace creates a stunning feature when used in conjunction with the Newman Eco Clarity high efficiency gas fire.

Medistone smooth natural stone is used combined with Venetian sandstone inlay creating a hole in the wall model of style and class.

Down lights are available to the lower header as an optional extra.

This fireplace can be adapted to fit other fires subject to request.

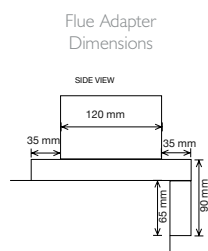
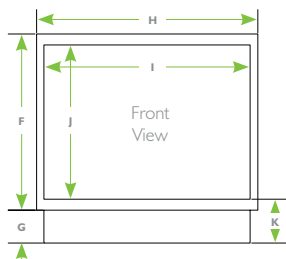
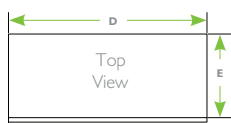
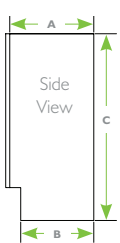


Terms and conditions apply

Display shown with



- Gas input high: 5.5kw
- Gas input low: 2.9kw
- Heat output up to: 4.2kw
- Fuel bed: Logs
- Convection heat: Yes
- Fully remote: Yes
- Energy rating: Class C



Gas Fire Dimensions (mm)	A	B	C	D	E	F	G	H	I	J	K
	305	265	530	722	305	490	80	805	750	410	120

All of our high efficiency gas fires have hand held remote control incorporating electronic room temperature control with a choice of cream or black fire chambers. Non reflective fascia glass is supplied as standard to the Newman Eco Ultra Vision making the glass frontage nearly invisible.

Optional smoked glass chamber available. Enjoy the illusion of a deeper fire as the flames reflect, simply magical. Available with the standard trim or deluxe fire trim. Shown with the deluxe fire trim.

The striking **Hurricane 54"** fireplace is shown using the Newman Eco Ultra Vision. A striking new model of immense appeal, comprising of a picture face inner facade giving this design depth and character. The careful use of two natural materials completes this wonderful design. Shown in a combination of Bella Crème and Medistone smooth natural stones.

Also available in a 48" wide version.

This fireplace can be adapted to fit other fires subject to request.



Fully Sequential Remote Control



Suitable for Class 1 Flue



Suitable for Class 2 Flue
5" Diameter flue liner or flue pipe system.



HIGH efficiency



Designed & Manufactured in **GREAT BRITAIN**



5 YEAR GUARANTEE

Terms and conditions apply

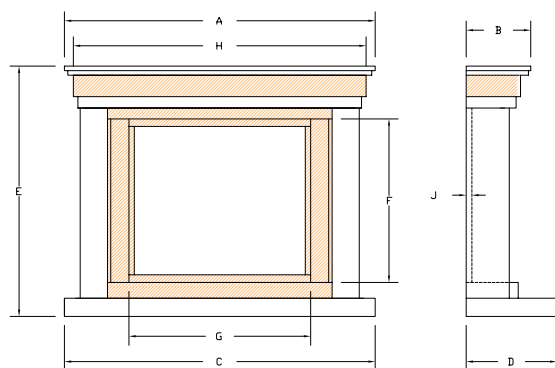
Hurricane Suite

Fireplace Dimensions (mm)	A	B	C	D	E	F	G	H	J
54" Model	1372	285	1372	400	1105	722	802	1292	25 or 50
48" Model	1220	285	1220	400	1030	645	655	1140	25 or 50

Standard specifications and options

NATURAL GAS	HIGH EFFICIENCY	LOG FUEL BED	REMOTE CONTROL	CREAM CHAMBER	BLACK CHAMBER	STANDARD TRIM	DELUXE TRIM	MIRRORED SMOKED GLASS CHAMBER	FLUE ADAPTOR
								NON REFLECTIVE FASCIA GLASS	

Optional Extras



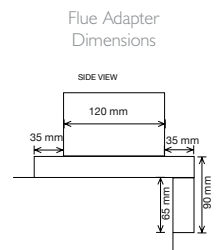
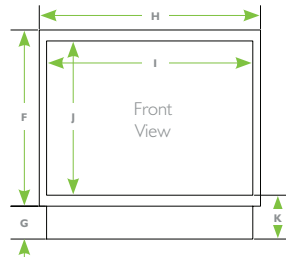
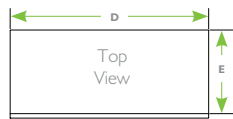
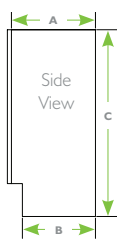


Optional Easy-Glide
LED down lights

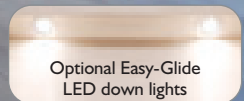
Display shown with

NewmanEco
ultra vision
High Performance Gas Fire

Gas input high: 6.5kw
 Gas input low: 2.9kw
 Heat output up to: 4.8kw
 Fuel bed: Logs
 Convection heat: Yes
 Fully remote: Yes
 Energy rating: Class D



Gas Fire Dimensions (mm)	A	B	C	D	E	F	G	H	I	J	K
	305	265	780	725	305	740	80	805	750	660	120



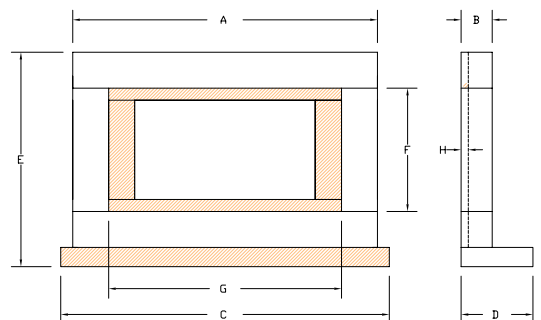
Zonda Suite

Fireplace Dimensions (mm)	A	B	C	D	E	F	G	H
54" Model	1272	130	1372	300	895	515	972	25 or 50
48" Model	1120	130	1220	300	860	520	860	25 or 50

Standard specifications and options

Optional Extras

- NATURAL GAS
- HIGH EFFICIENCY
- LOG FUEL BED
- REMOTE CONTROL
- CREAM CHAMBER
- BLACK CHAMBER
- STANDARD TRIM
- DELUXE TRIM
- FLUE ADAPTOR





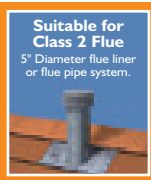
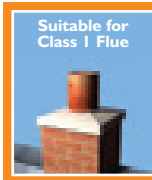
NewmanEco clarity

Our Newman Eco Clarity High Efficiency gas fire offers all of the advantages of a high efficiency gas fire with lower running costs and higher heat output but maintaining superb realism to the fuel bed by using our High Definition ceramic logs faithfully reproduced from various types of wood including Beech, this combined with mesmerising lazy flames and a glowing ember fuel bed complete the natural look.

All of our high efficiency gas fires have hand held remote control incorporating electronic room temperature control with a choice of cream or black fire chambers. Available with the standard trim or deluxe fire trim. Shown with the deluxe fire trim.

The **Zonda 54"** fireplace shown has simple and clean cut lines which are the hallmarks of this appealing design. Ideal for the more modern living space; where the crisp low lines are sure to please. Shown in a combination of Bella Creme and Medistone Smooth natural stone to stunning effect complete with the Newman Eco Clarity high efficiency gas fire. 48" wide version available.

This fireplace can be adapted to fit other fires subject to request. Down lights available as an optional extra.

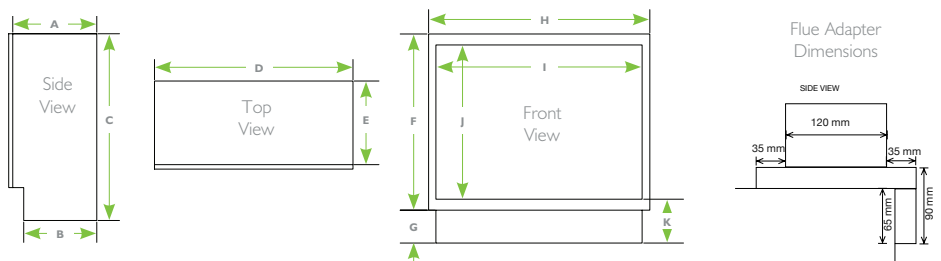


Terms and conditions apply

Display shown with



Gas input high:	5.5kw
Gas input low:	2.9kw
Heat output up to:	4.2kw
Fuel bed:	Logs
Convection heat:	Yes
Fully remote:	Yes
Energy rating:	Class C



Gas Fire Dimensions (mm)	A	B	C	D	E	F	G	H	I	J	K
	305	265	530	722	305	490	80	805	750	410	120



Optional Easy-Glide
LED down lights

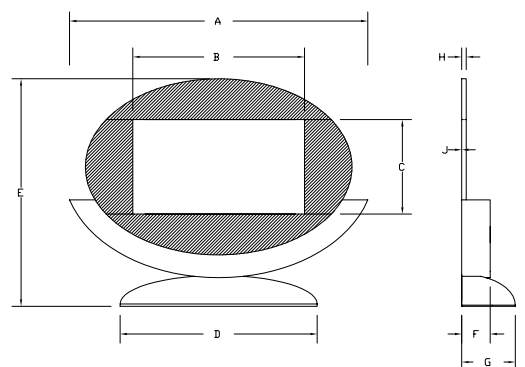
Modena Suite

Fireplace Dimensions (mm)	A	B	C	D	E	F	G	H	J
	1310	755	415	865	1000	125	235	20	0

Standard specifications and options

Optional Extras

- NATURAL GAS
- HIGH EFFICIENCY
- LOG FUEL BED
- REMOTE CONTROL
- CREAM CHAMBER
- BLACK CHAMBER
- STANDARD TRIM
- DELUXE TRIM
- FLUE ADAPTOR





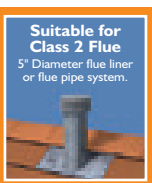
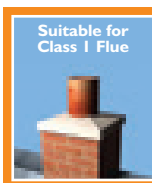
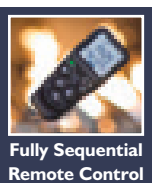
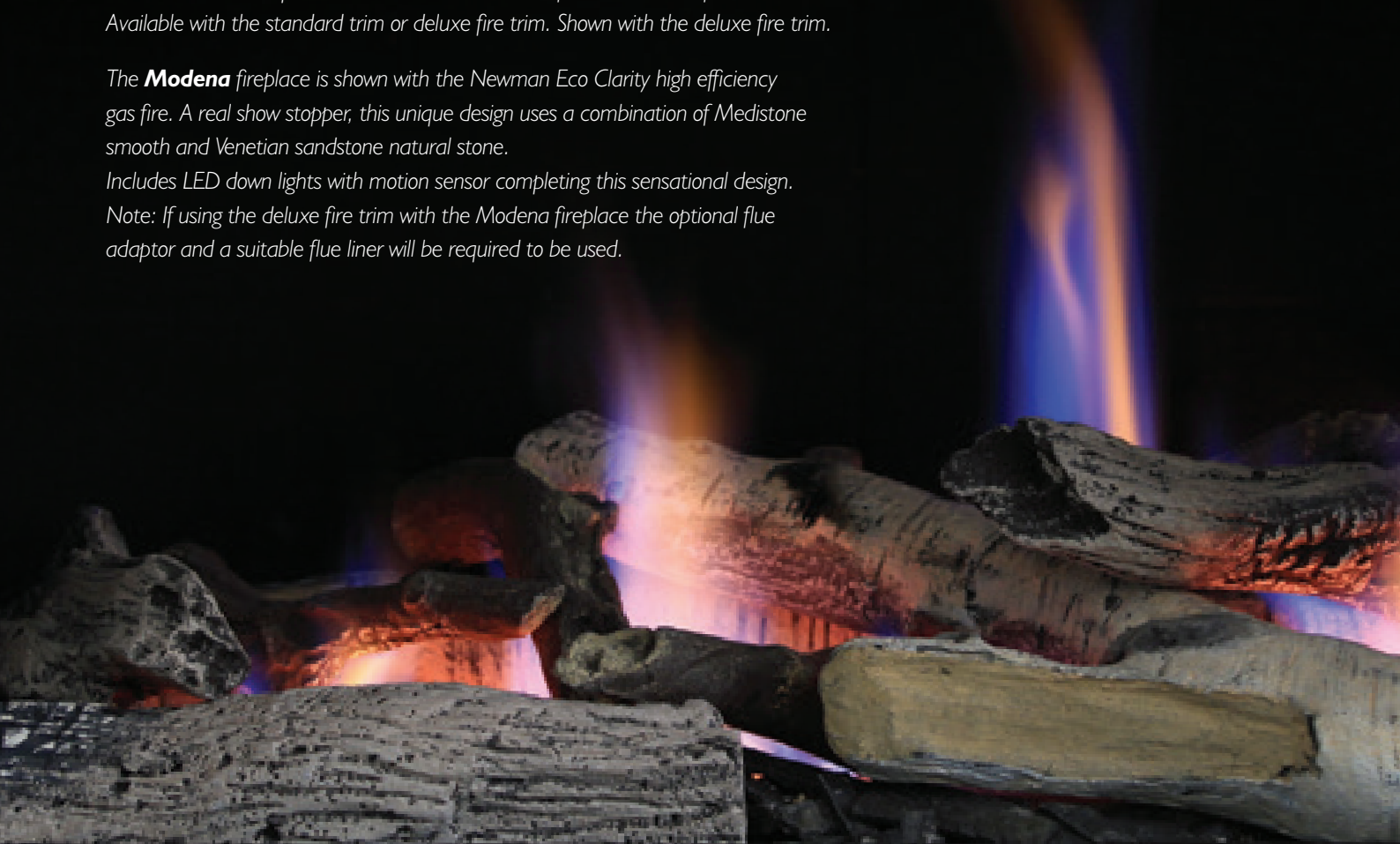
Our Newman Eco Clarity High Efficiency gas fire offers all of the advantages of a high efficiency gas fire with lower running costs and higher heat output but maintaining superb realism to the fuel bed by using our High Definition ceramic logs faithfully reproduced from various types of wood including Beech, this combined with mesmerising lazy flames and a glowing ember fuel bed complete the natural look.

All of our high efficiency gas fires have hand held remote control incorporating electronic room temperature control with a choice of cream or black fire chambers. Available with the standard trim or deluxe fire trim. Shown with the deluxe fire trim.

The **Modena** fireplace is shown with the Newman Eco Clarity high efficiency gas fire. A real show stopper, this unique design uses a combination of Medistone smooth and Venetian sandstone natural stone.

Includes LED down lights with motion sensor completing this sensational design.

Note: If using the deluxe fire trim with the Modena fireplace the optional flue adaptor and a suitable flue liner will be required to be used.

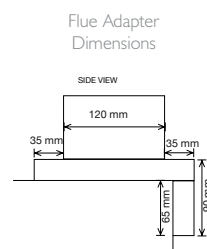
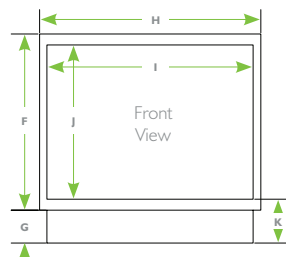
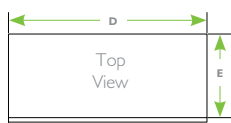
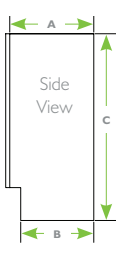


Terms and conditions apply

Display shown with



- Gas input high: 5.5kw
- Gas input low: 2.9kw
- Heat output up to: 4.2kw
- Fuel bed: Logs
- Convection heat: Yes
- Fully remote: Yes
- Energy rating: Class C



Gas Fire Dimensions (mm)	A	B	C	D	E	F	G	H	I	J	K
	305	265	530	722	305	490	80	805	750	410	120

FlameView

This all new stove has gained the latest CE approval and features superb realism together with impressive efficiency. Probably one of the most realistic gas stoves available today.

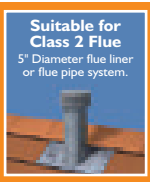
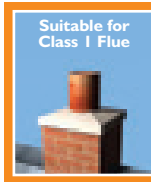
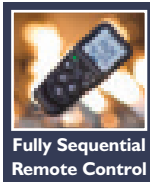
Features:

- Large ceramic glass window
- Modern design
- High definition log set
- Glowing ember fuel bed
- Realistic flame pattern
- Hand held remote control (TESC)
- High efficiency. Class C
- Low gas consumption 5.1kw input
- 5 year guarantee (Subject to conditions)
- Optional non reflective glass
- Optional black reflective glass to the rear of logs creates the illusion of a much deeper fire
- Operates on natural gas
- Suitable for many class 1 and class 2 chimneys subject to survey.

The **Cotswold 60"** fireplace shown is manufactured in Bella Crème natural limestone and compliments the FlameView ST1 to perfection. A stunning design made by true craftsmen includes a matching stone chamber creating a fireplace of quality and class. 54" wide version available.

This fireplace can be adapted to fit other fires subject to request.

Down lights available as an optional extra.



Cotswold Suite

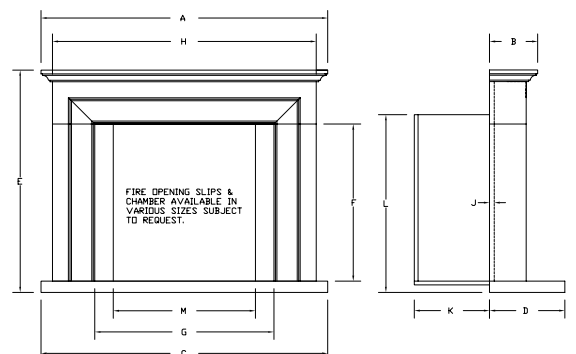
Fireplace Dimensions (mm)

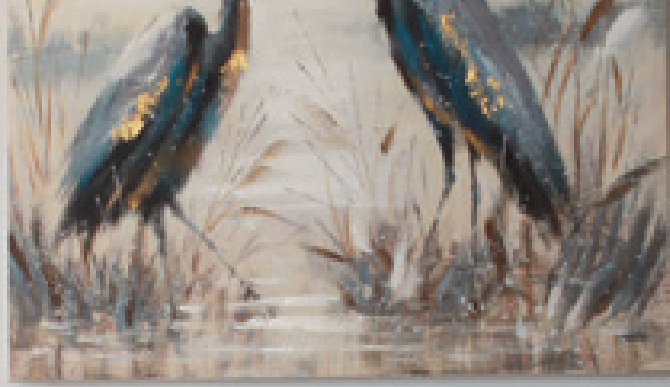
	A	B	C	D	E	F	G	H	J	K	L	M
60" Model	1524	256	1524	400	1182	835	952	1402	25	400	945	755
54" Model	1372	256	1372	400	1182	835	800	1250	25	400	945	800

Standard specifications and options



Optional Extras



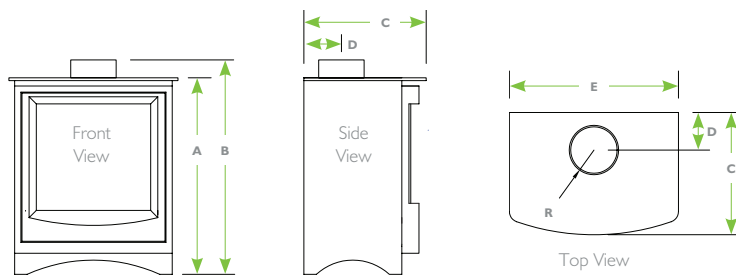


Display shown with

FlameView

High Performance Gas Stove

Gas input high: 5.1kw
 Gas input low: 2.9kw
 Heat output up to: 4.08kw
 Class: C



Gas Fire Dimensions (mm)	A	B	C	D	E	R
	550	600	342	105	473	65



Optional Easy-Glide
LED down lights

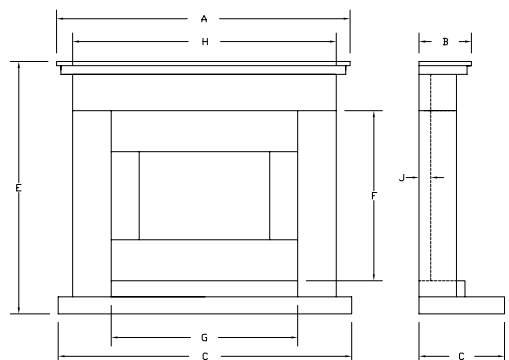
Storm Suite

Fireplace Dimensions (mm)	A	B	C	D	E	F	G	H	J
54" Model	1372	245	1372	400	1180	795	872	1232	25 or 50
48" Model	1220	245	1220	400	1100	715	720	1080	25 or 50

Standard specifications and options

Optional Extras

- NATURAL GAS
- HIGH EFFICIENCY
- LOG FUEL BED
- REMOTE CONTROL
- CREAM CHAMBER
- BLACK CHAMBER
- STANDARD TRIM
- DELUXE TRIM
- FLUE ADAPTOR



Our Newman Eco Elegance High Efficiency gas fire offers all of the advantages of a high efficiency gas fire with lower running costs and higher heat output but maintaining superb realism to the fuel bed by using our High Definition ceramic logs faithfully reproduced from various types of wood including Beech, this combined with mesmerising lazy flames and a glowing ember fuel bed complete the natural look.

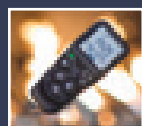
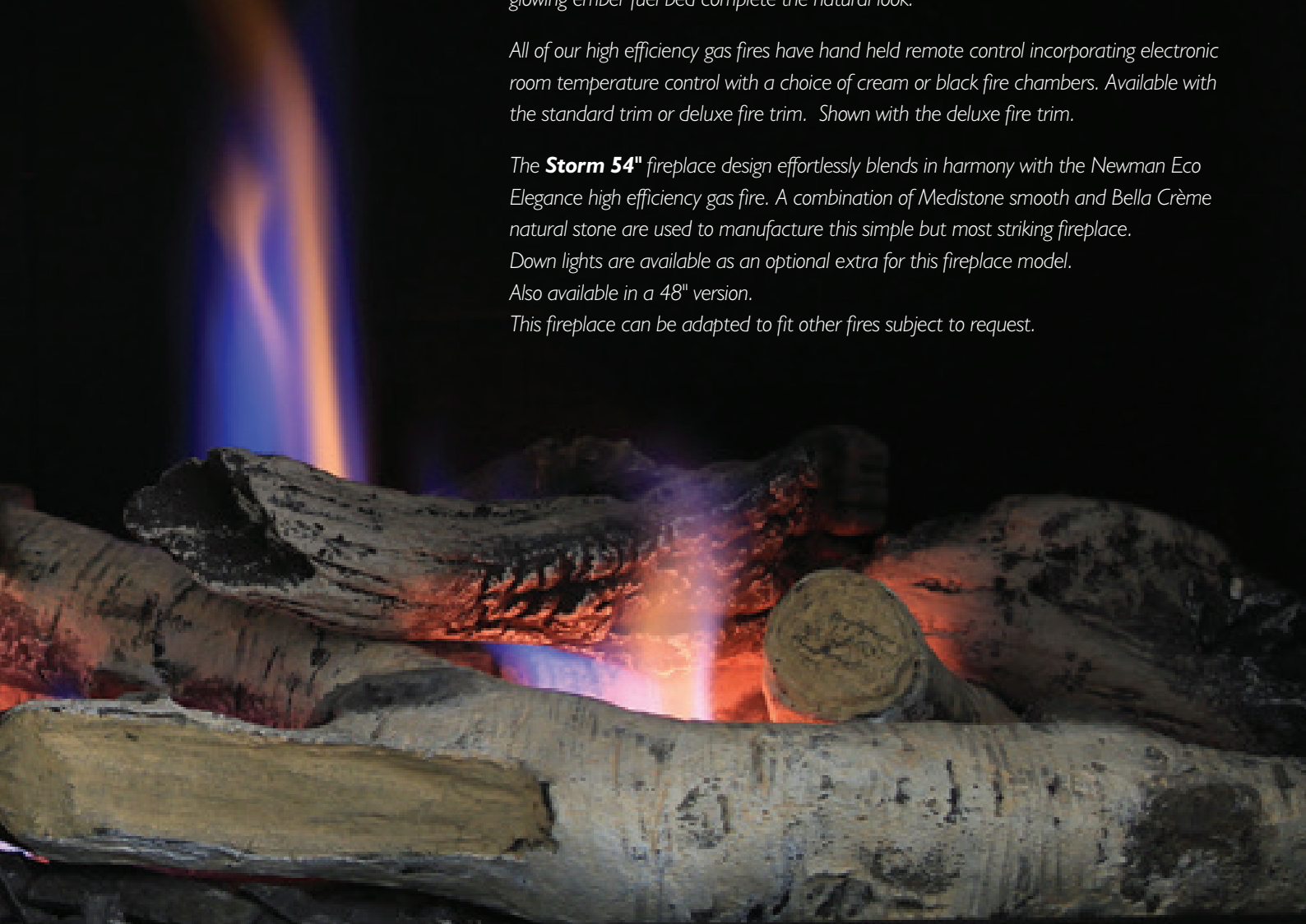
All of our high efficiency gas fires have hand held remote control incorporating electronic room temperature control with a choice of cream or black fire chambers. Available with the standard trim or deluxe fire trim. Shown with the deluxe fire trim.

The **Storm 54"** fireplace design effortlessly blends in harmony with the Newman Eco Elegance high efficiency gas fire. A combination of Medistone smooth and Bella Crème natural stone are used to manufacture this simple but most striking fireplace.

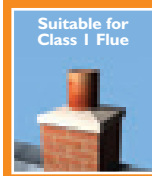
Down lights are available as an optional extra for this fireplace model.

Also available in a 48" version.

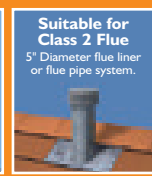
This fireplace can be adapted to fit other fires subject to request.



Fully Sequential Remote Control



Suitable for Class 1 Flue



Suitable for Class 2 Flue
5" Diameter flue liner or flue pipe system.



HIGH efficiency



Designed & Manufactured in GREAT BRITAIN

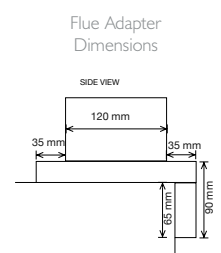
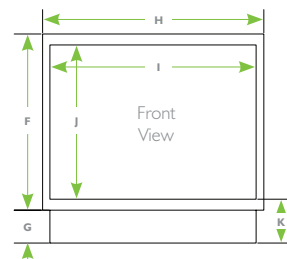
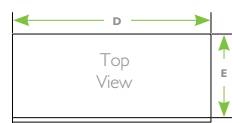
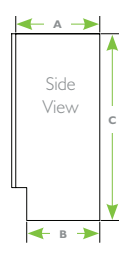


Terms and conditions apply

Display shown with



Gas input high:	5.5kw
Gas input low:	2.9kw
Heat output up to:	4.3kw
Fuel bed:	Logs
Fully remote:	Yes
Convection heat:	Yes
Energy rating:	Class C



Gas Fire Dimensions (mm)	A	B	C	D	E	F	G	H	I	J	K
	305	265	530	580	305	490	80	660	605	410	120



Lynton Suite

Fireplace Dimensions (mm)	A	B	C	D	E	F	G	H	I	J	K
60" Model	1524	160	130	1494	1524	390	405	50	400	20	850*
54" Model	1372	160	130	1342	1372	390	405	50	400	20	850*
48" Model	1220	160	130	1190	1220	390	405	50	400	20	850*
36" Model	915	160	130	885	915	390	405	50	400	20	850*

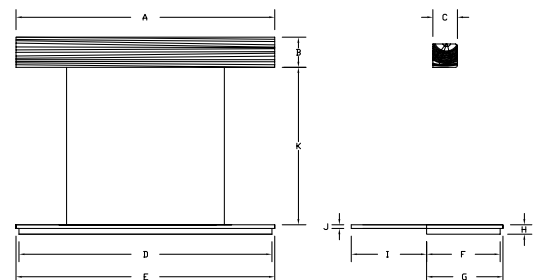
* K measurement is the recommended height

Standard specifications and options

- NATURAL GAS
- HIGH EFFICIENCY
- LOG FUEL BED
- REMOTE CONTROL

Optional Extras

- SMOKED GLASS REAR CHAMBER
- NON REFLECTIVE FASCIA GLASS



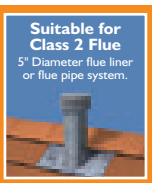
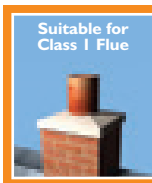
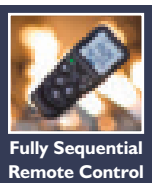
FlameView

The FlameView ST1 gas stove is shown with our **Lynton 54"** suite comprising of our Telford Inglebeam and Azul Grey hearths, simple and seductive are the only words to describe this fabulous fireplace when used in conjunction with the FlameView ST1 gas stove. Also available in 48" and 60" versions.

This all new stove has gained the latest CE approval and features superb realism together with impressive efficiency. Probably one of the most realistic gas stoves available today.

Features:

- Large ceramic glass window
- Modern design
- High definition log set
- Glowing ember fuel bed
- Realistic flame pattern
- Hand held remote control (TESC)
- High efficiency, Class C
- Low gas consumption 5.1kw input
- 5 year guarantee (Subject to conditions)
- Optional non reflective glass
- Optional black reflective glass to the rear of logs creates the illusion of a much deeper fire
- Operates on natural gas
- Suitable for many class 1 and class 2 chimneys subject to survey.



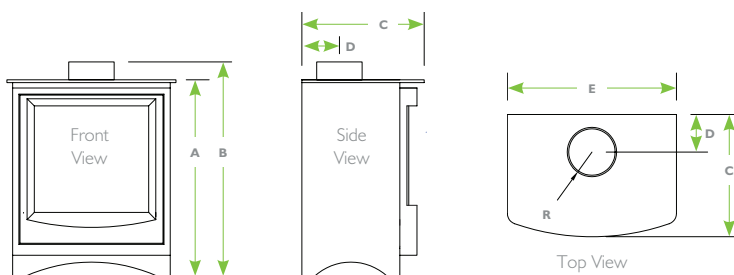
Terms and conditions apply

Display shown with

FlameView

High Performance Gas Stove

Gas input high:	5.1kw
Gas input low:	2.9kw
Heat output up to:	4.08kw
Energy Class:	C
Fuel bed:	Logs
Fully remote:	Yes



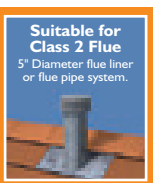
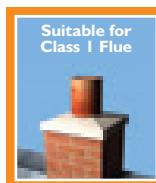
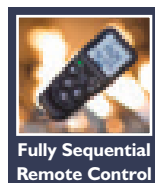
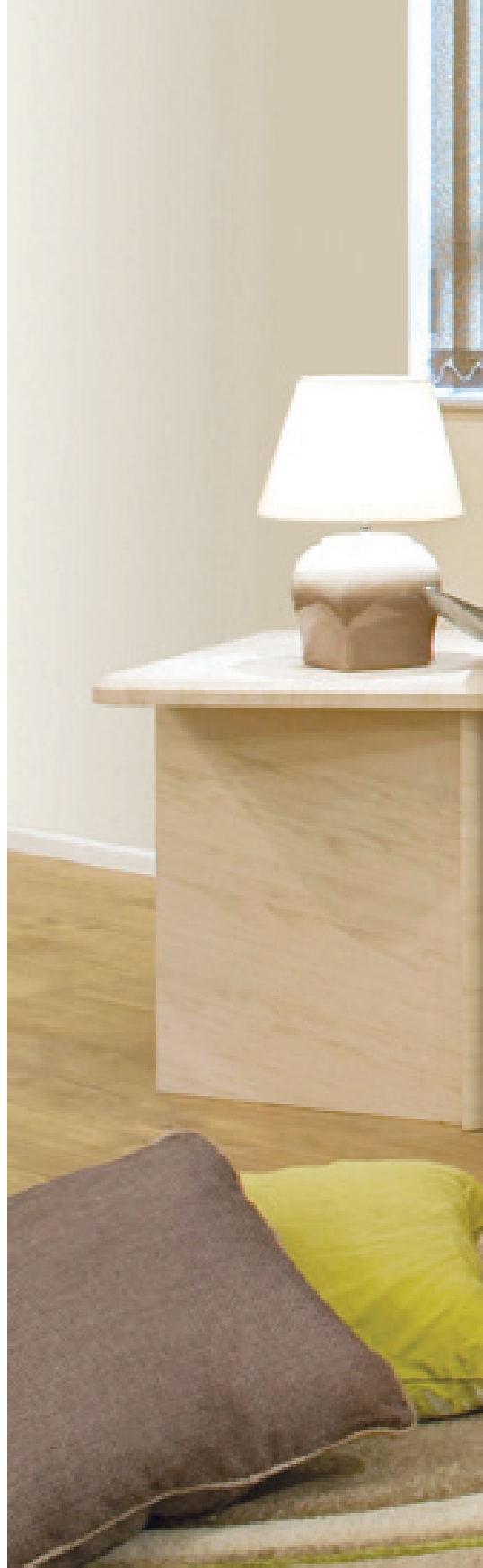
Gas Fire Dimensions (mm)	A	B	C	D	E	R
	550	600	342	105	473	65

Our Newman Eco Ultra Vision High Efficiency gas fire offers all of the advantages of a high efficiency gas fire with lower running costs and higher heat output but maintaining superb realism to the fuel bed by using our High Definition ceramic logs faithfully reproduced from various types of wood including Beech, this combined with mesmerising lazy flames and a glowing ember fuel bed complete the natural look.

All of our high efficiency gas fires have hand held remote control incorporating electronic room temperature control with a choice of cream or black fire chambers. Non reflective fascia glass is supplied as standard to the Newman Eco Ultra Vision making the glass frontage nearly invisible.

Optional smoked glass chamber available. Enjoy the illusion of a deeper fire as the flames reflect, simply magical. Available with the standard trim or deluxe fire trim. Shown with the deluxe fire trim.

Shown with our **Eco Taw** model natural Portuguese limestone fireplace suite a beautiful design with crisp clean lines designed to accommodate the Newman Eco Ultra Vision High Efficiency fire to perfection. This fireplace can be adapted to fit other fires subject to request.



Terms and conditions apply

Eco Taw Suite

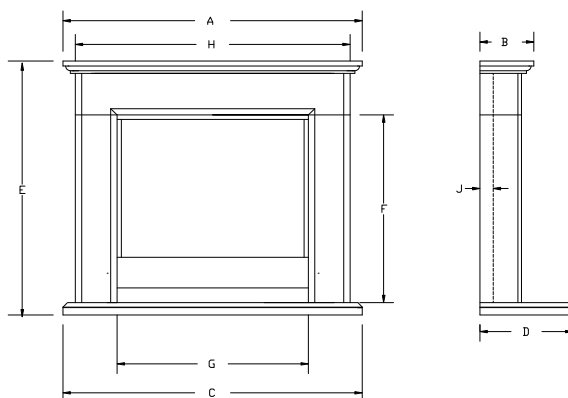
Fireplace Dimensions (mm)	A	B	C	D	E	F	G	H	J
	1220	220	1220	380	1035	765	780	1120	55

Standard specifications and options

NATURAL GAS	HIGH EFFICIENCY	LOG FUEL BED	REMOTE CONTROL	CREAM CHAMBER	BLACK CHAMBER	STANDARD TRIM	DELUXE TRIM
							NON REFLECTIVE FASCIA GLASS

Optional Extras

MIRRORED SMOKED GLASS CHAMBER	FLUE ADAPTOR
-------------------------------	--------------

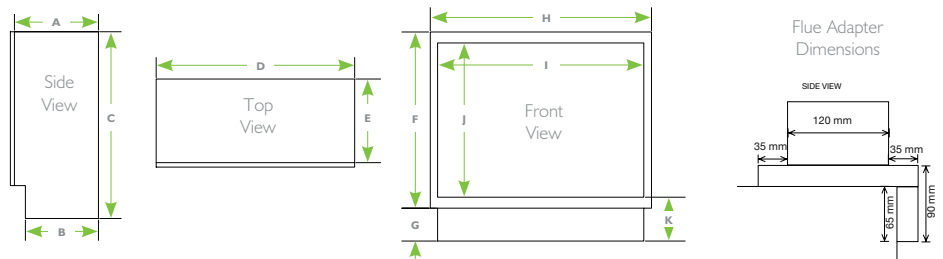




Display shown with



- Gas input high: 6.5kw
- Gas input low: 2.9kw
- Heat output up to: 4.8kw
- Fuel bed: Logs
- Convection heat: Yes
- Fully remote: Yes
- Energy rating: Class D



Gas Fire Dimensions (mm)	A	B	C	D	E	F	G	H	I	J	K
	305	265	780	725	305	740	80	805	750	660	120



Eco Estoril Suite

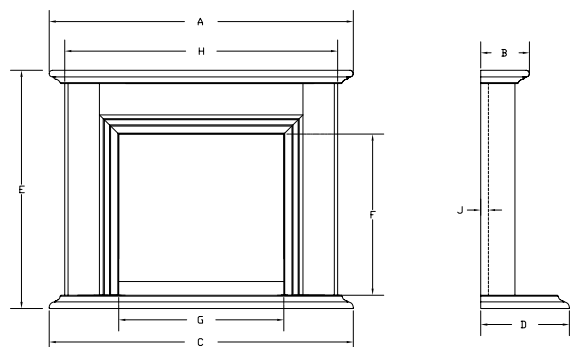
Fireplace Dimensions (mm)	A	B	C	D	E	F	G	H	J
	1372	220	1372	400	1075	727	745	1231	35

Standard specifications and options

NATURAL GAS	HIGH EFFICIENCY	LOG FUEL BED	REMOTE CONTROL	CREAM CHAMBER	BLACK CHAMBER	STANDARD TRIM	DELUXE TRIM
							NON REFLECTIVE FASCIA GLASS

Optional Extras

MIRRORED SMOKED GLASS CHAMBER	FLUE ADAPTOR
-------------------------------	--------------



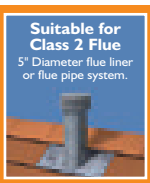
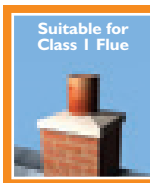



Our Newman Eco Ultra Vision High Efficiency gas fire offers all of the advantages of a high efficiency gas fire with lower running costs and higher heat output but maintaining superb realism to the fuel bed by using our High Definition ceramic logs faithfully reproduced from various types of wood including Beech, this combined with mesmerising lazy flames and a glowing ember fuel bed complete the natural look.

All of our high efficiency gas fires have hand held remote control incorporating electronic room temperature control with a choice of cream or black fire chambers. Non reflective fascia glass is supplied as standard to the Newman Eco Ultra Vision making the glass frontage nearly invisible.

Optional smoked glass chamber available. Enjoy the illusion of a deeper fire as the flames reflect, simply magical. Available with the standard trim or deluxe fire trim. Shown with the standard fire trim.

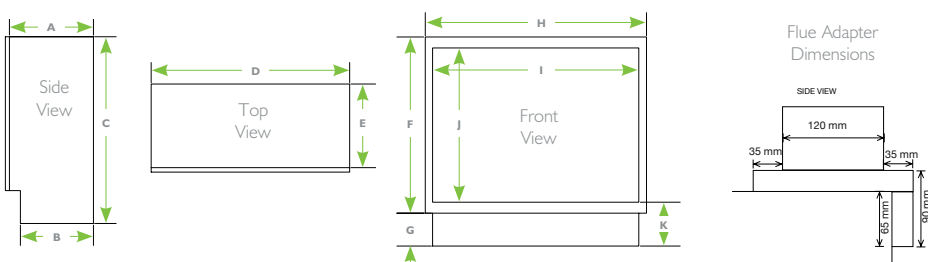
Our **Eco Estoril** natural Bella Crème limestone fireplace has been specifically designed to accommodate the Newman Eco Ultra Vision high efficiency gas fire, a masterpiece in design and workmanship a combination that is full of class and looks absolutely amazing. This fireplace can be adapted to fit other fires subject to request.



Display shown with



- Gas input high: 6.5kw
- Gas input low: 2.9kw
- Heat output up to: 4.8kw
- Fuel bed: Logs
- Convection heat: Yes
- Fully remote: Yes
- Energy rating: Class D



Gas Fire Dimensions (mm)	A	B	C	D	E	F	G	H	I	J	K
	305	265	780	725	305	740	80	805	750	660	120

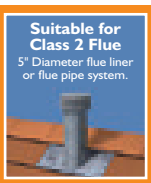
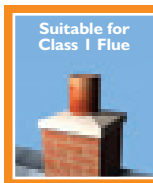
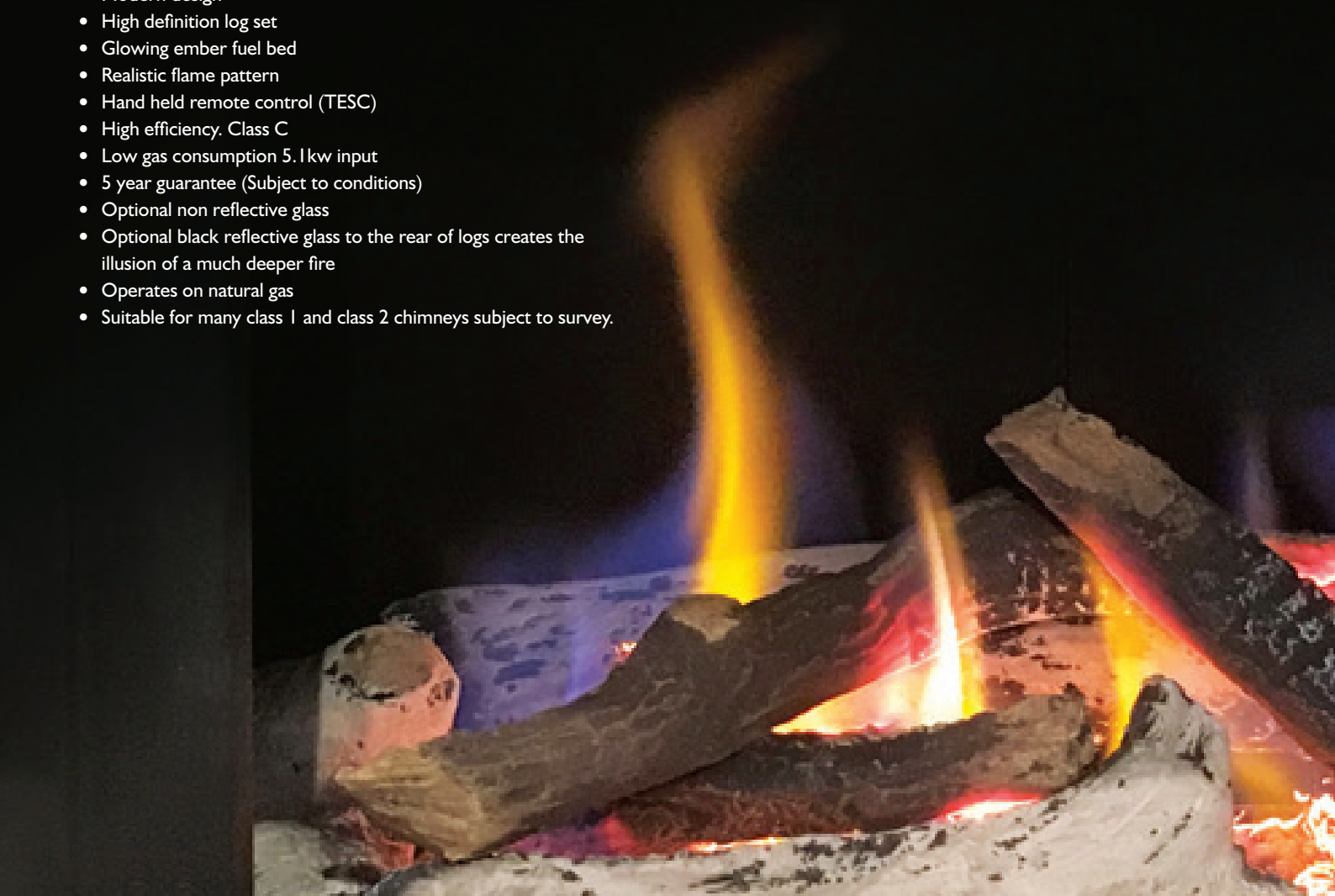
FlameView

This all new stove has gained the latest CE approval and features superb realism together with impressive efficiency. Probably one of the most realistic gas stoves available today.

Features:

- Large ceramic glass window
- Modern design
- High definition log set
- Glowing ember fuel bed
- Realistic flame pattern
- Hand held remote control (TESC)
- High efficiency. Class C
- Low gas consumption 5.1kw input
- 5 year guarantee (Subject to conditions)
- Optional non reflective glass
- Optional black reflective glass to the rear of logs creates the illusion of a much deeper fire
- Operates on natural gas
- Suitable for many class 1 and class 2 chimneys subject to survey.

The FlameView ST1 gas stove is shown with our **Vanity** fireplace. Careful and delicate inlay completed by our talented stone masons is pure class. Shown in Medistone Smooth and Venetian Sandstone natural stone, including a natural stone chamber. A fireplaces and gas stove combination that creates stunning results. This fireplace can be adapted to fit other fires subject to request.



Vanity Suite

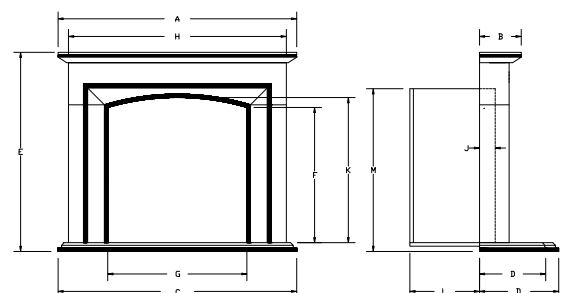
Fireplace Dimensions (mm)

A	B	C	D	E	F	G	H	J	K	L	M
1372	240	1372	381/456 curved	1145	778	800	1252	90	835	400	935

Standard specifications and options



Optional Extras



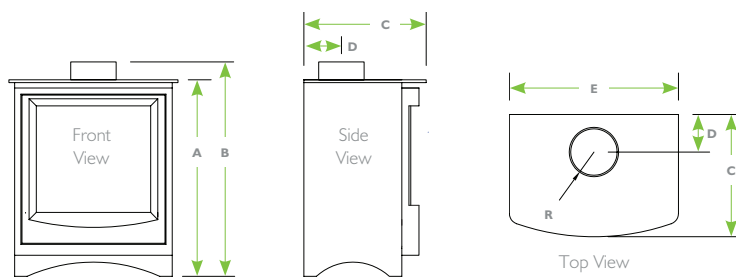


Display shown with

FlameView

High Performance Gas Stove

Gas input high: 5.1kw
 Gas input low: 2.9kw
 Heat output up to: 4.08kw
 Energy Class: C



Gas Fire Dimensions (mm)	A	B	C	D	E	R
	550	600	342	105	473	65



Mereta Suite

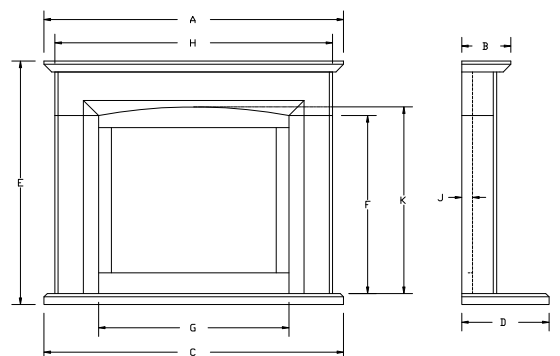
Fireplace Dimensions (mm)	A	B	C	D	E	F	G	H	J	K
	1372	225	1372	400	1115	815	872	1272	50	855

Standard specifications and options

NATURAL GAS	HIGH EFFICIENCY	LOG FUEL BED	REMOTE CONTROL	CREAM CHAMBER	BLACK CHAMBER	STANDARD TRIM	DELUXE TRIM
NON REFLECTIVE FASCIA GLASS							

Optional Extras

MIRRORED SMOKED GLASS CHAMBER	FLUE ADAPTOR
-------------------------------	--------------

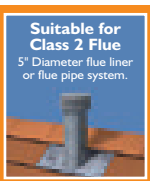
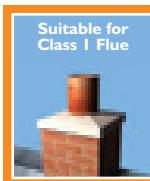
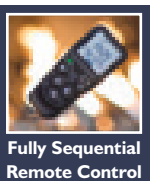




All of our high efficiency gas fires have hand held remote control incorporating electronic room temperature control with a choice of cream or black fire chambers. Non reflective fascia glass is supplied as standard to the Newman Eco Ultra Vision making the glass frontage nearly invisible.

Optional smoked glass chamber available. Enjoy the illusion of a deeper fire as the flames reflect, simply magical. Available with the standard trim or deluxe fire trim. Shown with the deluxe fire trim.

Our **Mereta** natural Bella Crème limestone fireplace has been specifically designed to accommodate the Newman Ultra Vision High Efficiency gas fire, this fireplace model has superb clean lines and outstanding features including a large majestic sweeping arch creating a design of true elegance. This fireplace can be adapted to fit other fires subject to request.

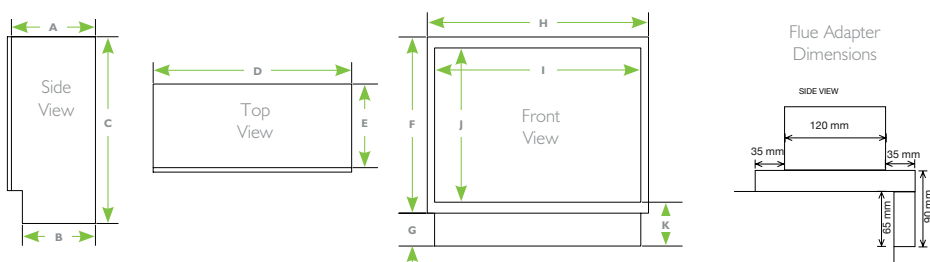


Terms and conditions apply

Display shown with



- Gas input high: 6.5kw
- Gas input low: 2.9kw
- Heat output up to: 4.8kw
- Fuel bed: Logs
- Convection heat: Yes
- Fully remote: Yes
- Energy rating: Class D



Gas Fire Dimensions (mm)	A	B	C	D	E	F	G	H	I	J	K
	305	265	780	725	305	740	80	805	750	660	120

Our Newman Eco Clarity High Efficiency gas fire offers all of the advantages of a high efficiency gas fire with lower running costs and higher heat output but maintaining superb realism to the fuel bed by using our High Definition ceramic logs faithfully reproduced from various types of wood including Beech, this combined with mesmerising lazy flames and a glowing ember fuel bed complete the natural look.

All of our high efficiency gas fires have hand held remote control incorporating electronic room temperature control with a choice of cream or black fire chambers. Available with the standard trim or deluxe fire trim. Shown with the deluxe fire trim.

The **Mistral 54"** fireplace shown; designed by our talented in house design team. Innovative contemporary styling incorporating clean lines create a stunning focal point. Shown using a combination of natural materials to stunning effect: Azul Grey, Bella Creme and Medistone Smooth natural stones. Shown with the Newman Eco clarity high efficiency gas fire. 48" wide version available.

This fireplace can be adapted to fit other fires subject to request. Down lights available as an optional extra.



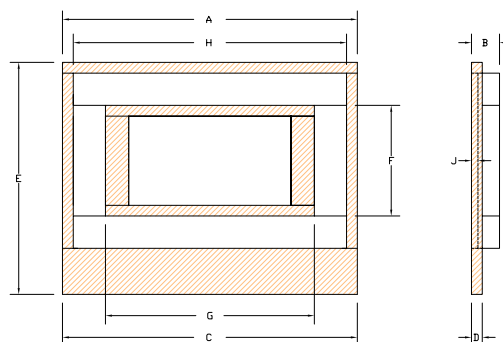
Mistral Suite

Fireplace Dimensions (mm)	A	B	C	D	E	F	G	H	J
54" Model	1372	130	1372	50	1080	515	972	1272	25 or 50
48" Model	1220	130	1220	50	1045	520	860	1120	25 or 50

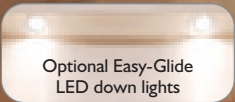
Standard specifications and options

Optional Extras

- NATURAL GAS
- HIGH EFFICIENCY
- LOG FUEL BED
- REMOTE CONTROL
- CREAM CHAMBER
- BLACK CHAMBER
- STANDARD TRIM
- DELUXE TRIM
- FLUE ADAPTOR



Terms and conditions apply

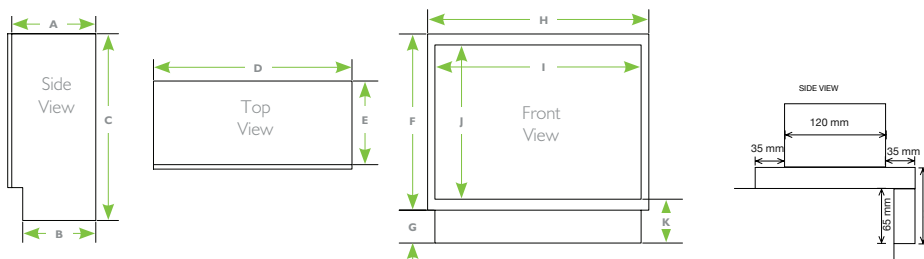


Optional Easy-Glide
LED down lights

Display shown with



- Gas input high: 5.5kw
- Gas input low: 2.9kw
- Heat output up to: 4.2kw
- Fuel bed: Logs
- Convection heat: Yes
- Fully remote: Yes
- Energy rating: Class C



Gas Fire Dimensions (mm)	A	B	C	D	E	F	G	H	I	J	K
	305	265	530	722	305	490	80	805	750	410	120



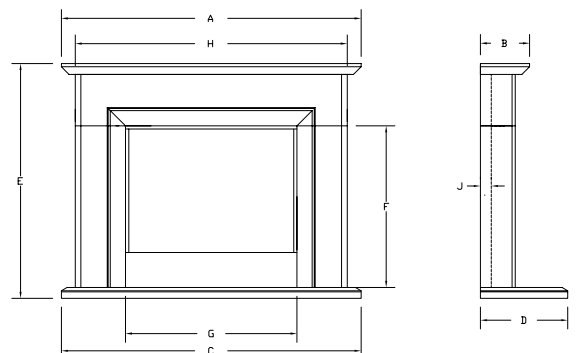
Santiago Suite

Fireplace Dimensions (mm)	A	B	C	D	E	F	G	H	J
	1372	225	1372	400	1095	765	785	1245	50

Standard specifications and options

Optional Extras

- NATURAL GAS
- HIGH EFFICIENCY
- LOG FUEL BED
- REMOTE CONTROL
- CREAM CHAMBER
- BLACK CHAMBER
- STANDARD TRIM
- DELUXE TRIM
- FLUE ADAPTOR

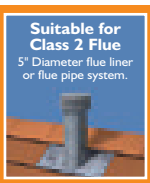
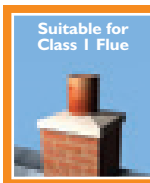




Our Newman Eco View High Efficiency gas fire offers all of the advantages of a high efficiency gas fire with lower running costs and higher heat output but maintaining superb realism to the fuel bed by using our High Definition ceramic logs faithfully reproduced from various types of wood including Beech, this combined with mesmerising lazy flames and a glowing ember fuel bed complete the natural look.

All of our high efficiency gas fires have hand held remote control incorporating electronic room temperature control with a choice of cream or black fire chambers. Available with the standard trim or deluxe fire trim. Shown with the deluxe fire trim.

Our **Santiago** natural limestone fireplace has been specifically designed to accommodate the Newman Eco View High Efficiency gas fire, a beautiful design of fine proportions with deep carved bevelling to the frame with outer etching. Craftsmanship in stone and high technology of fire design combine creating a stunning effect. This fireplace can be adapted to fit other fires subject to request.

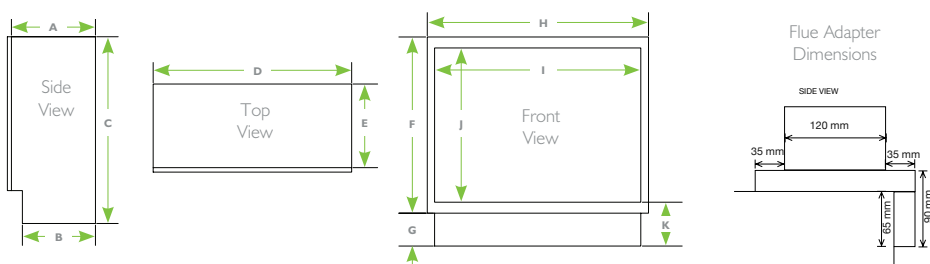


Terms and conditions apply

Display shown with



- Gas input high: 5.5kw
- Gas input low: 2.9kw
- Heat output up to: 4.1kw
- Fuel bed: Logs
- Convection heat: Yes
- Fully remote: Yes
- Energy rating: Class D



Gas Fire Dimensions (mm)	A	B	C	D	E	F	G	H	I	J	K
	305	265	680	722	305	640	80	805	750	560	120



Optional Easy-Glide
LED down lights

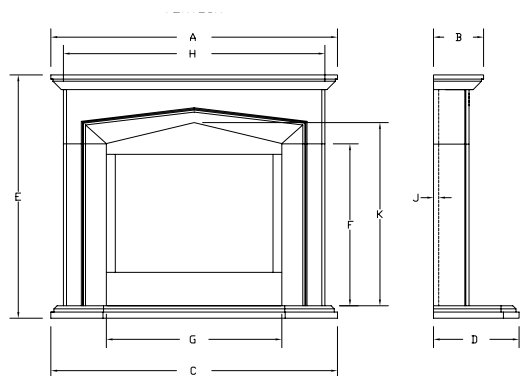
Ventosa Suite

Fireplace Dimensions (mm)	A	B	C	D	E	F	G	H	J	K
	1372	240	1372	335/410 curved	1165	775	840	1252	25	876

Standard specifications and options

Optional Extras

- NATURAL GAS
- HIGH EFFICIENCY
- LOG FUEL BED
- REMOTE CONTROL
- CREAM CHAMBER
- BLACK CHAMBER
- STANDARD TRIM
- DELUXE TRIM
- FLUE ADAPTOR





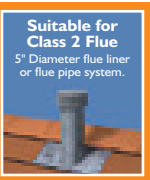
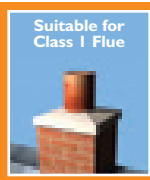
NewmanEco view

Our Newman Eco View High Efficiency gas fire offers all of the advantages of a high efficiency gas fire with lower running costs and higher heat output but maintaining superb realism to the fuel bed by using our High Definition ceramic logs faithfully reproduced from various types of wood including Beech, this combined with mesmerising lazy flames and a glowing ember fuel bed complete the natural look.

All of our high efficiency gas fires have hand held remote control incorporating electronic room temperature control with a choice of cream or black fire chambers. Available with the standard trim or deluxe fire trim. Shown with the deluxe fire trim.

The **Ventosa** is a superb fireplace designed by our talented team. The striking inset arch with its fine outer etching is simply stunning. The careful use of Portuguese limestone and Medistone smooth natural stone compliment each other effortlessly. The Newman Eco View completes this outstanding fireplace to perfection.

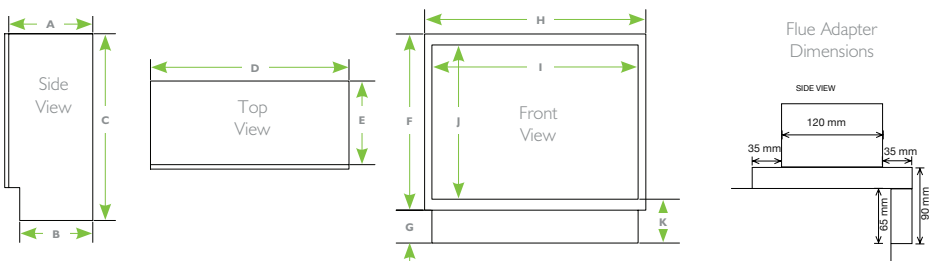
Down lights available as an optional extra.



Display shown with

NewmanEco view High Performance Gas Fire

- Gas input high: 5.5kw
- Gas input low: 2.9kw
- Heat output up to: 4.1kw
- Fuel bed: Logs
- Convection heat: Yes
- Fully remote: Yes
- Energy rating: Class D

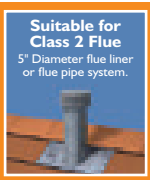
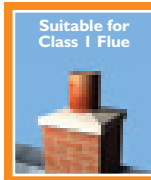


Gas Fire Dimensions (mm)	A	B	C	D	E	F	G	H	I	J	K
	305	265	680	722	305	640	80	805	750	560	120

A high efficiency gas fire possessing landscape styling that creates a stunning visual effect. Realistic dancing flames and logs that looks amazing. This gas fire has not just been designed to offer good looks as at the heart of this fire like all of our high efficiency gas fires has been designed using our latest technology to offer lower running costs with an amazing maximum heat output of up to 4.9kw combined with a very high energy rating.

All of our high efficiency gas fires have hand held remote control incorporating electronic room temperature control with a choice of cream or black fire chambers, a reflective smoked glass chamber is available as an optional extra to enhance even further the fuel bed with leaping flames, simply magical.

Shown with the optional satin finished stainless steel outer trim, only when used with the standard fire trim.



Terms and conditions apply

Standard specifications and options

- NATURAL GAS
- HIGH EFFICIENCY
- LOG FUEL BED
- REMOTE CONTROL
- CREAM CHAMBER
- BLACK CHAMBER
- STANDARD TRIM
- DELUXE TRIM

Optional Extras

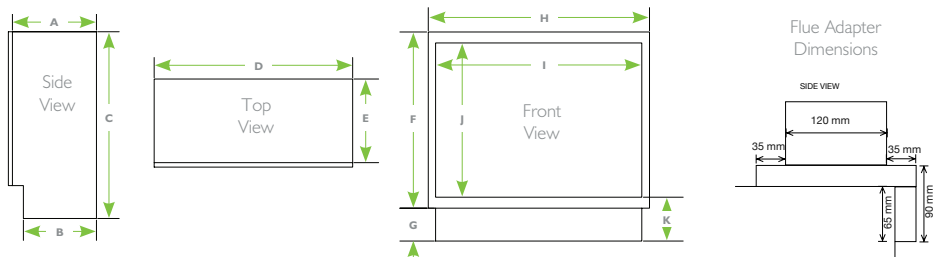
- MIRRORED SMOKED GLASS CHAMBER
- FLUE ADAPTOR
- STAINLESS STEEL OUTER TRIM



Display shown with

NewmanEco
panorama
High Performance Gas Fire

Gas input high: 6.3kw
 Gas input low: 4.1kw
 Heat output up to: 4.9kw
 Fuel bed: Log
 Convected heat: Yes
 Fully remote: Yes
 Energy rating: Class C



Gas Fire Dimensions (mm)	A	B	C	D	E	F	G	H	I	J	K
	305	265	530	872	305	490	80	955	900	410	120



Tornado Suite

Fireplace Dimensions (mm)	A	B	C	D	E	F	G	H	J
54" Model	1372	230	1372	400	1130	720	722	1232	25 or 50
48" Model	1220	230	1220	400	1060	710	690	1080	25 or 50

Standard specifications and options

Optional Extras

NATURAL GAS

HIGH EFFICIENCY

LOG FUEL BED

REMOTE CONTROL

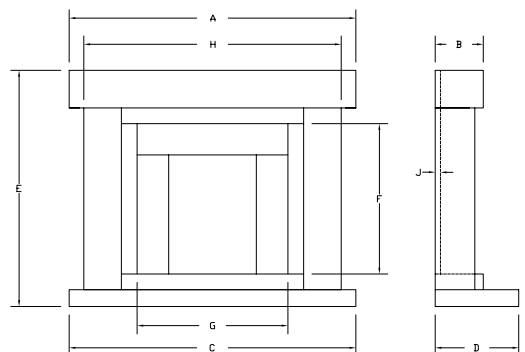
CREAM CHAMBER

BLACK CHAMBER

STANDARD TRIM

DELUXE TRIM

FLUE ADAPTOR



Our Newman Eco View High Efficiency gas fire offers all of the advantages of a high efficiency gas fire with lower running costs and higher heat output but maintaining superb realism to the fuel bed by using our High Definition ceramic logs faithfully reproduced from various types of wood including Beech, this combined with mesmerising lazy flames and a glowing ember fuel bed complete the natural look.

All of our high efficiency gas fires have hand held remote control incorporating electronic room temperature control with a choice of cream or black fire chambers. Available with the standard trim or deluxe fire trim. Shown with the deluxe fire trim.

The Newman Eco View is shown with the **Tornado 54"** fireplace suite. Bold lines are the hallmark of this enchanting fireplace model. A design with depth and character, the clever use of two natural stone materials compliment each other effortlessly. Shown in a combination of Bella Creme and Medistone Smooth natural stone. 48" wide version available.

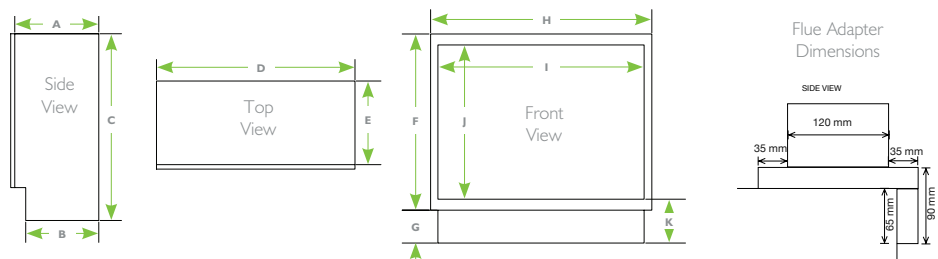
This fireplace can be adapted to fit other fires subject to request.
Down lights available as an optional extra.



Display shown with

 High Performance Gas Fire

- Gas input high: 5.5kw
- Gas input low: 2.9kw
- Heat output up to: 4.1 kw
- Fuel bed: Logs
- Convection heat: Yes
- Fully remote: Yes
- Energy rating: Class D



Gas Fire Dimensions (mm)	A	B	C	D	E	F	G	H	I	J	K
	305	265	680	722	305	640	80	805	750	560	120