



A collection of highly efficient gas fires and stoves

Charlton & Jenrick^{LTD}
Best of British fires, fireplaces & stoves

Introducing the Paragon full line collection from Charlton & Jenrick

For over 33 years, Charlton & Jenrick have been at the forefront of improving the technology and efficiency of 'living flame' gas fires.

For homes with or without a chimney, for a traditional or modern feel, Paragon has a range of open-flame and super-efficient glass-fronted fires that will create the perfect centrepiece for your living room.

Tailor your fire to meet your needs

You can tailor your fire to your exact taste and needs, choosing from our extensive range of different frets, trims and fascias, fuel beds, and a choice of control type. You will see that with Paragon you're spoilt for choice.

A photograph of two young girls lying on a light-colored, shaggy rug. The girl on the left has long brown hair and is wearing a yellow top. The girl on the right has blonde hair and is wearing a white top, holding a white smartphone. They are both smiling and looking towards the right. The background is bright and out of focus, suggesting an indoor setting with large windows.

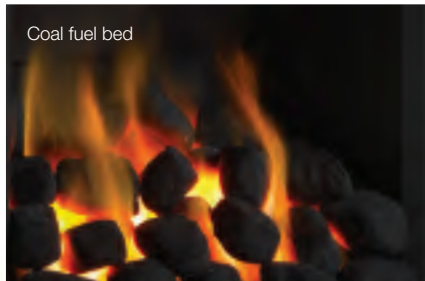
Introducing

Open-flame for a more welcoming warmth

Nothing is as welcoming as a 'living flame' fire, with superb and realistic fuel beds, designed to give you all the glowing warmth you need.

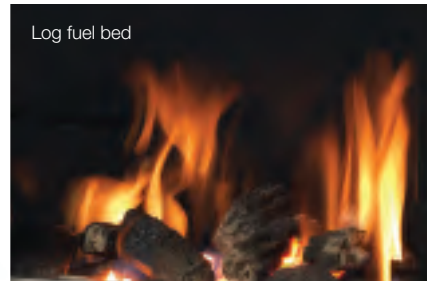


Fuel bed options

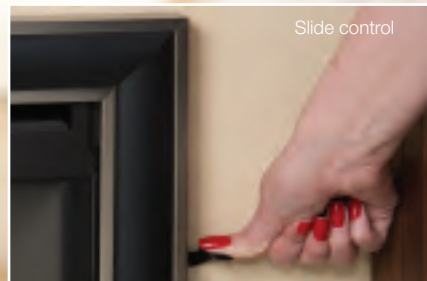


Glass-fronted for a more efficient heat

Our glass-fronted gas fires offer class-leading thermal efficiency, so important with today's rising gas prices.



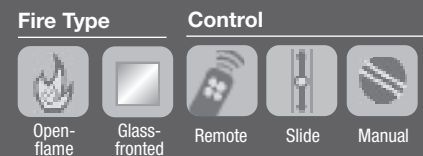
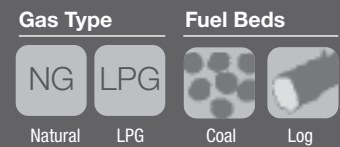
Putting you in control



Choose from manual, slide or battery-operated remote control, which, unlike many other fires, not only adjusts the flame but lights the fire as well.

At-a-glance symbols to help you choose

Flues – For more information on flues see pages 42-43



Options

All fires **approved to latest efficiency standards** for UK inset gas fires.



Here at Charlton and Jenrick we constantly strive to maintain a high level of efficiency, with our most efficient fires achieving up to 95.3% efficiency.

EXAMPLE USED: Edge BF Gas Stove

*As part of the continual improvement programme at **Charlton & Jenrick** we take pride in innovating & developing our fires, always striving for improvements. Part of this process requires that we test all our gas fires to the current efficiency standards, ensuring our customers always receive up-to-date products.*

*All the open-flue inset fires (both open-front and glass-front) in this brochure have been independently certified to the efficiency requirements of **BS 7977-1:2009+A1 :2013** which came into force in late 2013 and included an amendment that requires all gas fires to be tested without excessive spillage on the efficiency test rig to claim an efficiency. Balanced-flue fires and direct connection open-flue fires are tested to the latest revision of **BSEN613: 2001**.*

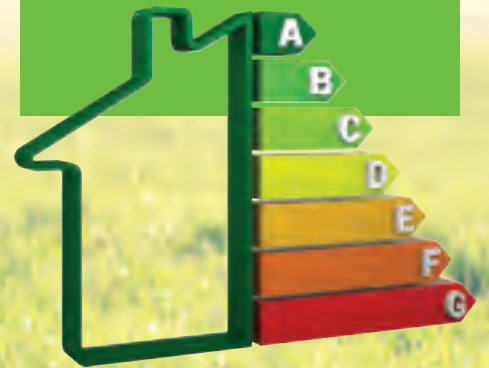
The efficiencies quoted in this brochure are the Net efficiencies which are usually advertised in marketing literature. A brief explanation is on the following spread and if you wish to see a copy of the standards we use, further details can be found at www.bsigroup.com.

Standards



SAP Rating

If you are buying a new home, the SAP rating will be of importance and the efficiency of the fire can have either a positive or negative effect on the rating. If the efficiency is not certified as precisely the latest standards (detailed left) then it will be included in the calculation at the minimum level for that class of fire, not the one claimed by the manufacturer.



Efficiency explained

Net Efficiency v Gross Efficiency

Net efficiency calculations assume that the energy contained in the water vapour which is formed as a product of combustion is recovered in some way, e.g. into the fabric of the building, and is not lost from the flue/chimney. Gross combustion efficiency calculations assume that the energy contained in the water vapour is not recovered and is lost to the outside air. Typically the difference between the value of net combustion efficiency and the value of gross combustion efficiency for a natural gas fire is around 5 to 8 percentage points with the net value being higher than the gross value. Most gas fire manufacturers quote their efficiencies based on the net combustion efficiency, although the gross value is often stated in the installation instructions for Building Regulations purposes.

Energy efficiency for SAP ratings in your home

The latest version of The Building Regulations calls upon the mentioned standard efficiency tests in relation to calculating the rating of your gas fire for SAP (Standard Assessment Procedure) purposes. If your fire has not been approved to the correct standards then an accurate calculation cannot be made and a nominal low standard figure from the SAP guide will be used instead. For more details please visit www.gov.uk/standard-assessment-procedure

When considering your purchase of a gas fire it is important to ensure you are comparing like for like. If unsure, it is always worth confirming with the staff in the showroom you are using, or the manufacturer of the fire, that the appliance has been tested to the very latest version of *BS7977, i.e. including +A1: 2013*.

Tested and approved with guaranteed quality



Every Paragon fire is designed to the highest standards using only the finest materials, as well as being tested and approved to European standards, meaning we can be confident about every fire we make. So confident, in fact, each fire comes with a **5-year parts warranty.***

*Subject to terms and conditions which you will find on our website.



All Paragon gas fires are manufactured under a BS EN ISO 9001 quality system (registration number 5195), which covers all areas of product design, development, manufacture and service.



Contents

Fires

Open-Flame

2000 Plus	8
2000 Extra	10
2000 Low Lintel	12
Slimline 3	14
Paragon One	16
Paragon One Evolution	18

Glass-Fronted

Focus HE Slimline	22
Focus HE	24
Core CF	26
Focus RS Plus	28
Core BF	30

Gas Stoves

Paragon Edge CF	34
Paragon Edge BF	36

Options & Technical

Fret Options	38	Flue types	42
Trim Options	39	Flue compatibility	43
Fascia Options	40	Specs & Dimensions	44

Fits most chimneys and pre-cast flues

2000 Plus

*No more pre-cast flue compromises.
The 2000 Plus is our most versatile fire.
It is designed specifically for chimneys
or pre-cast flues.*

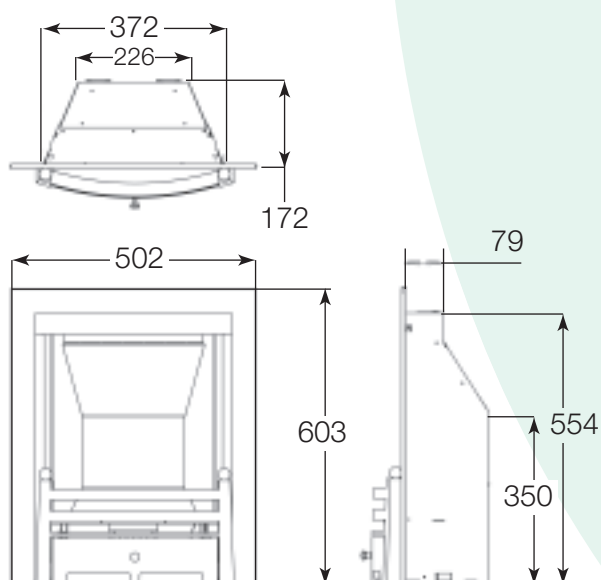
Nothing is as welcoming as a 'living flame' fire and with the 2000 Plus range you can find a model to fit every home, making a comfort statement in any room. The superb, realistic coal and pebble fire effects produce up to 3.6kW heat output at a 57% efficiency, giving you all the glowing warmth you need.

Spoilt for choice

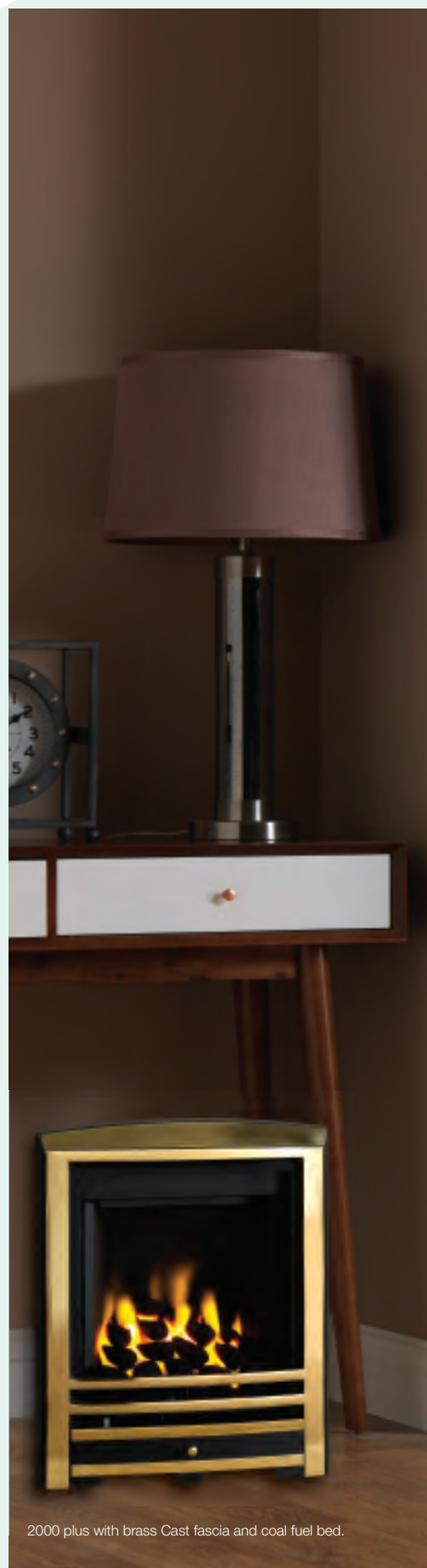
But the 2000 Plus range isn't just about practical efficiency; it's also about style and design. You can choose from a large range of trim and fascia options, with fret designs in up to four finishes. So you can make a real style statement with a contemporary look, or go for a more traditional design.

No hearth

The 2000 Plus can be installed on either a mini hearth or with a 4-sided trim if the fire is a minimum of 105mm (4¼") off the floor.



*Choose the style and design to suit your home
A complete range of trim, fascia and fret
options is shown on pages 38-41.*



2000 plus with brass Cast fascia and coal fuel bed.



2000 plus with Elite Satin fascia and coal fuel bed. Shown in Aylesbury Premium Portuguese Limestone surround.

Features:

1

2



NG

LPG



3.6 kW



For specifications refer to the technical datasheet

Fits most chimneys and pre-cast flues

2000 Extra

A highly efficient 'living flame' gas fire with all the glowing warmth you need

An efficient open-flame gas fire.

The 2000 Extra gives practical efficiency, coupled with design and style. Choose from a wide range of fascia and trim options to make a real style statement, either contemporary or traditional.

Designed to be super efficient, the 2000 Extra is specifically made for chimneys or pre-cast flues.

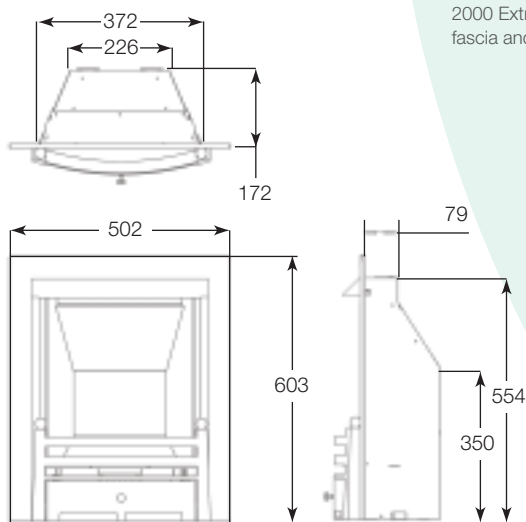
- Choice of manual, slide or battery-operated remote control completes the package
- Realistic coal fuel bed
- Includes a 5-year parts warranty, subject to terms and conditions
- Heat output of up to 4.0kW
- 63% efficiency

Choose the style and design to suit your home

A complete range of trim and fret options is shown on pages 38-41.



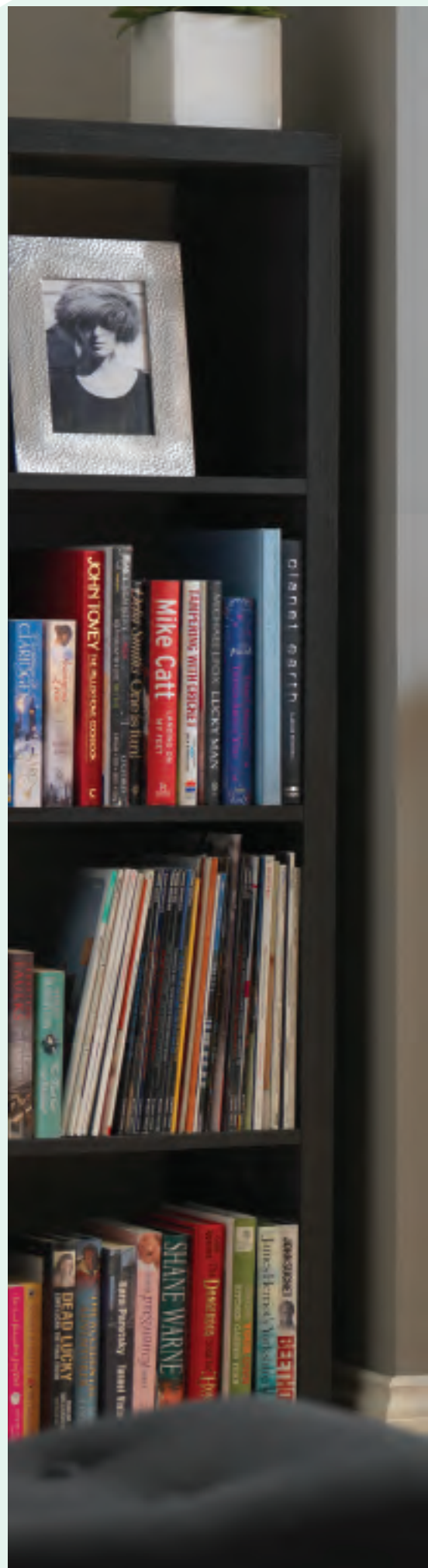
2000 Extra with chrome Cast Arch fascia and coal fuel bed.



Flue and hearth: The Paragon 2000 Extra range is designed to operate on pre-cast flues with a 75mm (3") rebated surround, or class I or II flues. The min. diameter of a circular flue is 125mm (5").

Ventilation: The Paragon 2000 Extra range does not normally require any purpose-built ventilation. Please note that within the island of Ireland, permanent ventilation must comply with the regulations currently in force.

Fire spacer: A 20mm spacer is available to facilitate fitting the fire in the shallower flue.





2000 Extra with Elite Satin fascia and coal fuel bed.
Shown in Katia Premium Portuguese Limestone surround.

For specifications refer to the technical datasheet

Features:

1

2



NG



4.0 kW



Fits most chimneys

2000 Low Lintel

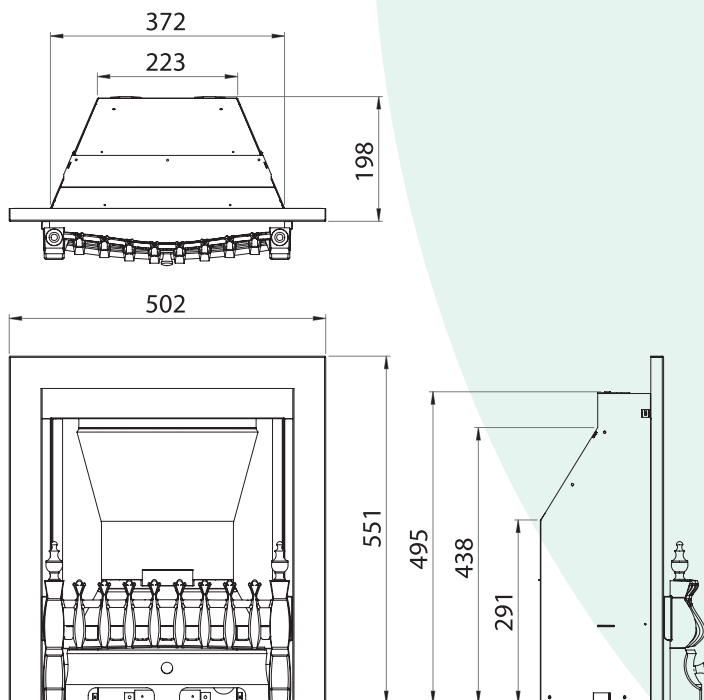
All the features and benefits of the Paragon 2000 Plus with a reduced-height fire box to fit into 20" openings.

Like the 2000 Plus, the 2000 Low Lintel is designed to fit most chimneys and has the added benefit of fitting under lintels that are 20 inches off the hearth.

- 3.6kW output Natural Gas fire
- 57% efficiency
- Realistic coal fuel bed
- Available with slide control
- Choice of brass or stainless steel trims
- 5-year parts guarantee, subject to terms and conditions



2000 Low Lintel in brass Gate fret and trim shown with coal fuel bed.





2000 Low Lintel in chrome trim and Bayswater fret with coal fuel bed. Shown in Beckford Premium Portuguese Limestone surround.

For specifications refer to the technical datasheet

Features:

- 1
- 2
- NG
-
-
- 3.6 kW
-

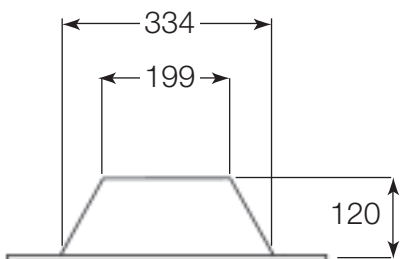
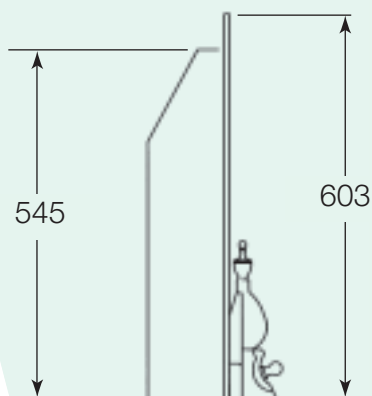
Fits most chimneys and pre-cast flues

Slimline 3

Slim, elegant and the perfect fire for virtually any chimney or flue.

With its remarkably slim profile, the Slimline 3 is especially designed for pre-cast flues but will fit almost any flue, from conventional chimneys to pre-cast flues.

- An advanced burner provides what is probably the most realistic flame effect and fuel bed with high-efficiency heat output
- Choice of trims and frets in different finishes and contemporary fascias; see pages 39 to 41 for full range
- Coal fuel bed
- Choice of manual or slide controls
- A unique front of fire bed glow adds to the welcoming realism of this exquisite model
- Fits majority of pre-cast flues on a 1" rebate
- Heat output 4.1kW
- 65% efficiency
- 5-year parts guarantee, subject to terms and conditions



Flue and hearth: The Slimline 3 range is designed to operate on pre-cast, class I and class II flues. The minimum diameter of a circular flue is 125mm (5") with minimum effective height of 3 metres. Pre-cast flues must be constructed correctly and the appliance must pass a spillage test upon installation. A non-combustible hearth extending a minimum of 300mm (12") in front of the fire and 150mm (6") either side, with a non-combustible depth of 50mm (2") is required. All chimneys and flues should be regularly checked for debris and efficiency and be swept where appropriate.

Ventilation: The Slimline 3 range does not normally require any purpose-built ventilation. Please note that within the island of Ireland, permanent ventilation must comply with the regulations currently in force.



Slimline 3 with brass trim and antique Wellington fret shown with coal fuel bed.



Slimline 3 with brass Elite fascia and coal fuel bed. Shown in Aylesbury limestone mantel.

For specifications refer to the technical datasheet

- Features: 1 2  NG    4.1 kW 

Fits most chimneys

Paragon One

An open-flame fire designed to fit most chimneys and class II flues

The Paragon One has been designed to give you the big picture with its huge, realistic coal fuel bed. In common with all Paragon products, a wide choice of trims and frets are available to enable you to create your perfect fire.

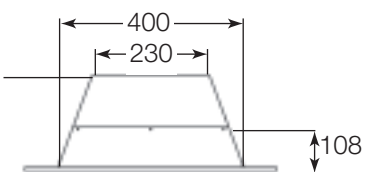
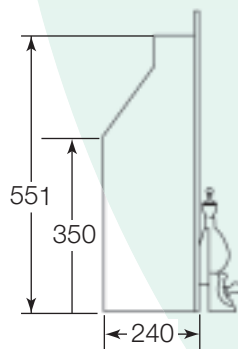
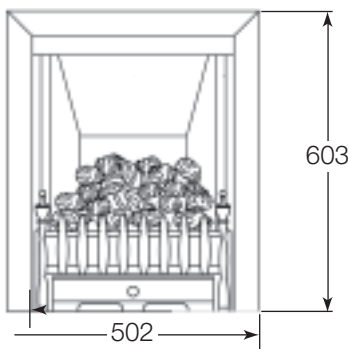
Traditional or hole-in-the-wall installation

Introducing the Paragon One, a class-leading fire for installation into chimneys & class II flues.

- Extra wide and deep fuel bed to give probably the most realistic flame effect in its class
- Heat outputs of up to 3.5kW due to its high-efficiency burner system
- Ultra-realistic coal fuel bed
- No canopy to mar the clean lines of this classically styled fire
- Choose a control system to suit you: manual, slide or even full sequential remote control
- Can be wall mounted without a hearth using a four-sided trim or three-sided trim on a mini hearth
- 56% efficiency
- 5-year parts guarantee, subject to terms and conditions



The Paragon One with chrome Cast Arch fascia and coal fuel bed.



PLAN VIEW SHOWN WITHOUT FRET

SPACERS AVAILABLE
20mm Reduces Depth to 210mm





The Paragon One with a black Cast Arch fascia and coal fuel bed. Shown in the Beckford Portuguese limestone fireplace.

For specifications refer to the technical datasheet

Features:

1

2

NG



3.5 kW



Fits most chimneys

Paragon One *Evolution*

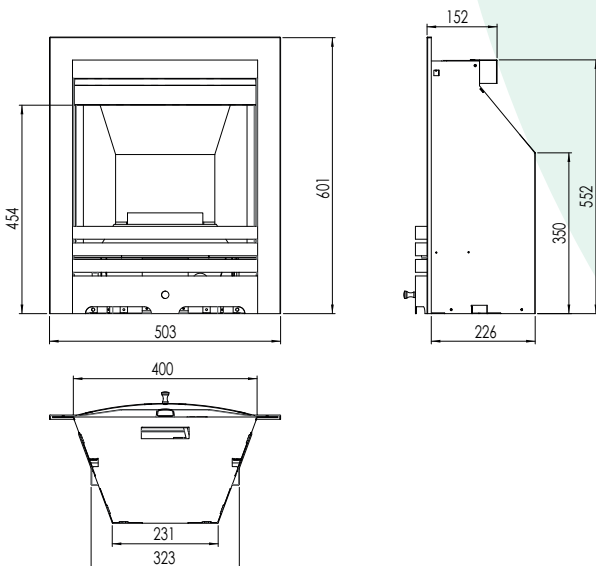
A new and improved open-flame fire designed to fit most chimneys and class II flues

Create a lovely warm living area with this open-flame gas fire that gives an impressive 4.4kW output and over 63% efficiency.

- 4.4kW output Natural Gas fire
- 63.3% efficiency
- Realistic coal fuel bed
- Choose a control system to suit you: manual, slide or even full sequential remote control
- Compatible with a large range of C&J trims, frets and fascias
- 5-year parts guarantee, subject to terms and conditions



The Paragon One Evolution with Chrome Elite fascia and coal fuel bed. Shown in the Aylesbury limestone surround.





The Paragon One Evolution with Square Elite chrome fascia and coal fuel bed. Shown in the Aylesbury limestone surround.

For specifications refer to the technical datasheet

Features:

1

2

NG



4.4 kW



The latest collection of **glass-fronted** gas fires from **Paragon**

Designed for today's homes with or without a chimney.

Choose the style to suit your home, whether traditional or contemporary – all offering superb high-efficiency, class-leading performance.

Spoilt for choice

With Paragon's range of glass-fronted fires you are spoilt for choice, with options ranging from contemporary hole-in-the-wall fascias, traditional cast-iron fascias and a choice of various styles and designs featuring different finishes. Fires can be installed with or without a hearth and even in homes without a chimney.

More efficient than conventional products

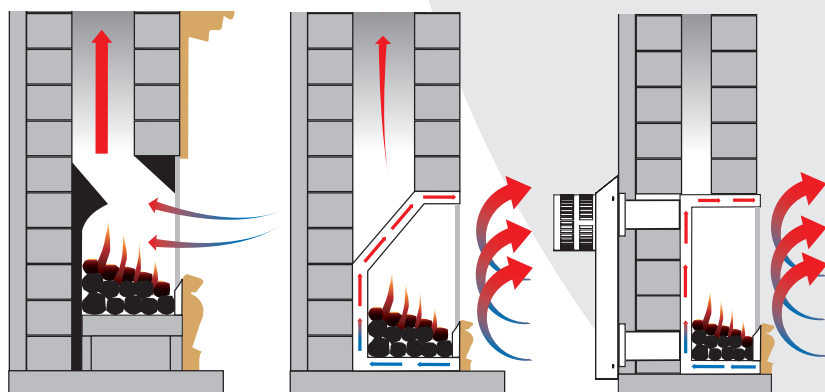
Fires working in a chimney draw warm air from the room into the chimney and it is then replaced by cold air from the outside. This air then has to be heated by the fire, reducing efficiency and increasing costs.

The Paragon Focus range has been scientifically designed to reduce this airflow to a minimum, changing the room air just once per hour against a typical open-fronted gas fire that will change room air up to 12 times per hour.

Minimum room air changes combined with superior thermal efficiency

achieved by ceramic glass-front technology give this range a new level of efficiency and performance.

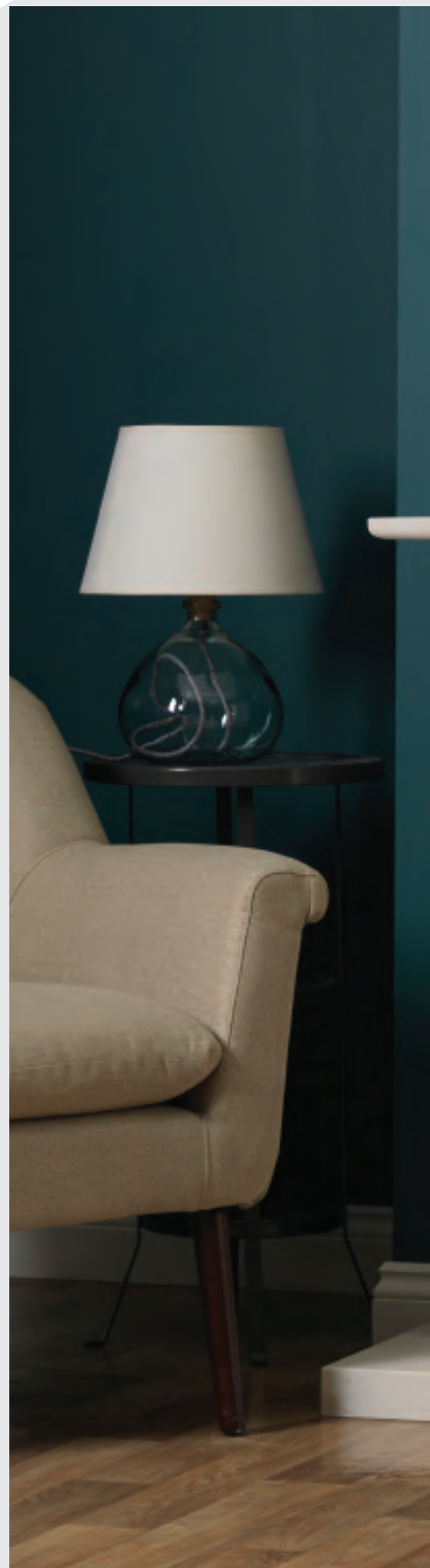
The Focus range of fires is now available for homes with or without a chimney and the fires are amongst the most efficient designs available.



Typical open-fronted gas fire changes room air up to 12 times per hour.

Paragon Focus HE changes room air just once per hour.

Paragon's Focus RS range does not produce any air changes per hour, as it is room sealed.





Contents

Fires

Glass-Fronted

Focus HE Slimline	22
Focus HE	24
Core CF	26
Focus RS Plus	28
Core BF	30

Options & Technical

Fret Options	38
Trim Options	39
Fascia Options	40
Flue types	42
Flue compatibility	43
Specs & Dimensions	44

Fits most chimneys and pre-cast flues

Focus HE Slimline

Now you can have a real fire even where space is limited

This attractive Focus Slimline fire is designed to give high efficiency in pre-cast flues and it fits easily into a 1" rebate fireplace.

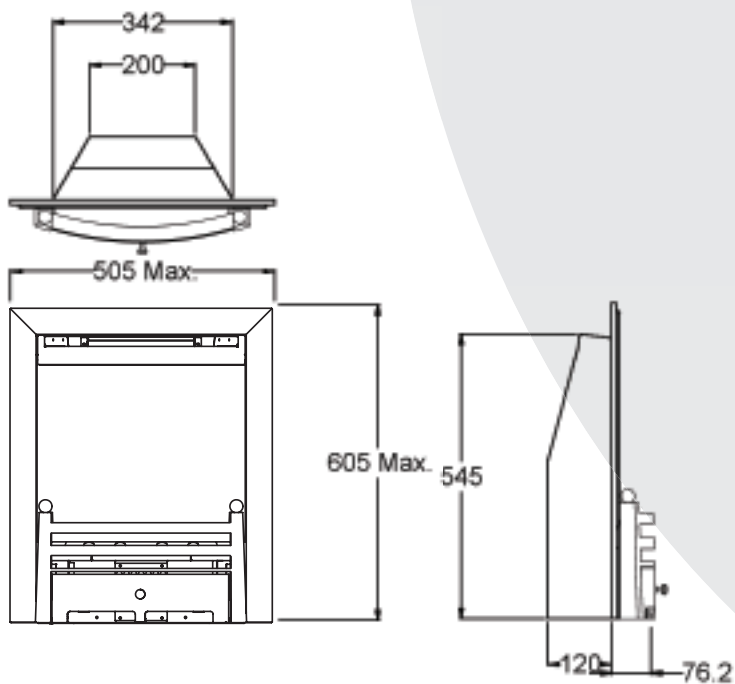
- 3.0kW output
- 77% efficient ceramic glass technology
- Wide choice of trims and frets available
- Realistic coal fuel bed
- Suitable for pre-cast flues
- Slide control option to eliminate the need to bend down to light the fire*
- Excellent radiant heat output



Focus HE Slimline brass Wellington fret and trim.



Focus HE Slimline chrome Gate fret and trim.





Focus HE Slimline in Brass Trim and Gate Fret with coal fuel bed. Shown in Seville Premium Portuguese Limestone surround.

For specifications refer to the technical datasheet

Features:



Fits most chimneys

Focus HE

Highly efficient glass-fronted gas fires

Contemporary designs offering efficient heating for homes with a chimney.

Heat and efficiency

The new full-length glass window gives class-leading thermal efficiency.

- 4.4kW output
- 82% efficiency
- Ceramic glass technology

Comfort and control

- Manual control concealed behind 'ashpan' cover
- New, easy-to-operate slide lever control available to end the need to bend down to light the fire
- The ultimate luxury – full sequential remote control, the last word in ease of operation – it even lights the pilot each time to save gas

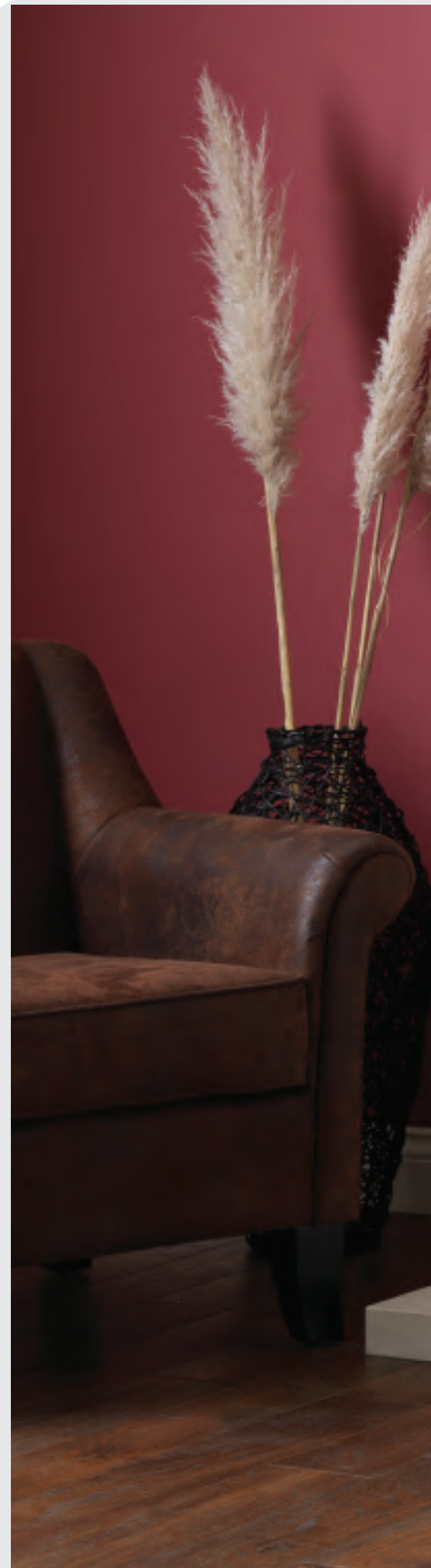
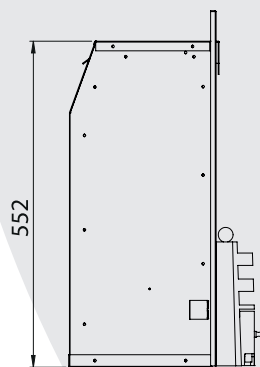
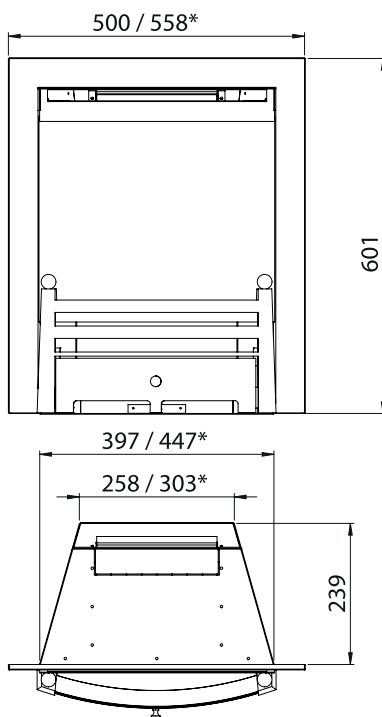
Looks

This fire can take on many different styles:

- Coal fuel bed
- Choice of trim styles
- Contemporary hearth fascias
- Pixelated edge glass for clean, neat styling

Flexible design

- Only requires a 4" minimum hearth depth from wall when floor mounted
- Suitable for both Class I and 5" flue
- Natural gas or LPG





Focus HE with brass Cast Arch fascia.
Shown in Aylesbury limestone surround.

For specifications refer to the technical datasheet

Features:

1

2

NG

LPG



4.4
kW



25

† Not available for use with the Solar IV

Fits most chimneys

Core CF

A truly glamorous real flame fire with heart-warming heat output, ease of use, stunning appearance and economical fuel burn

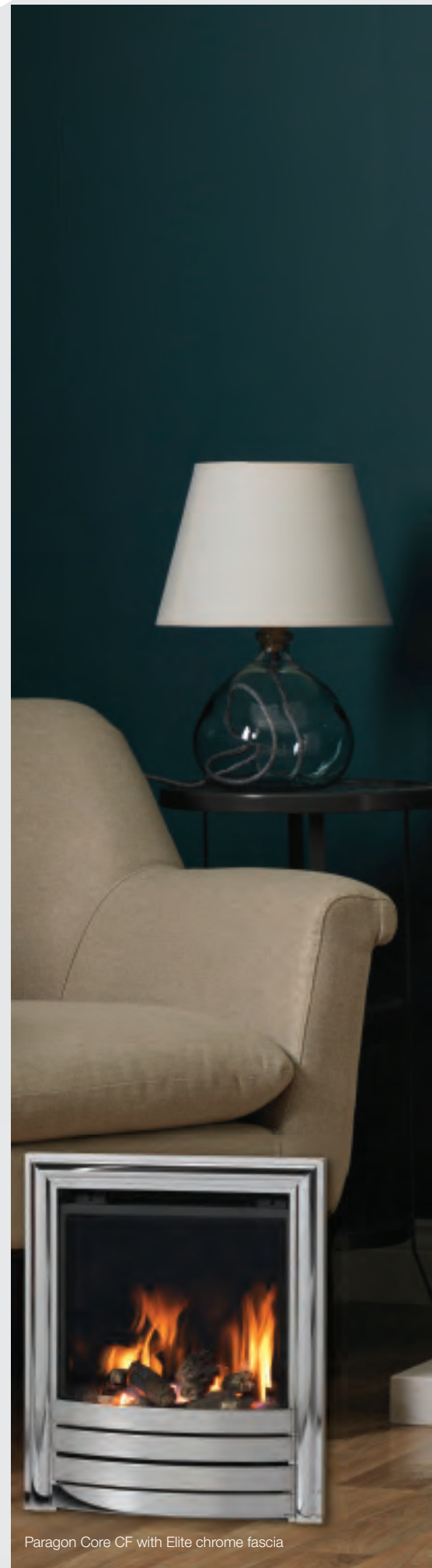
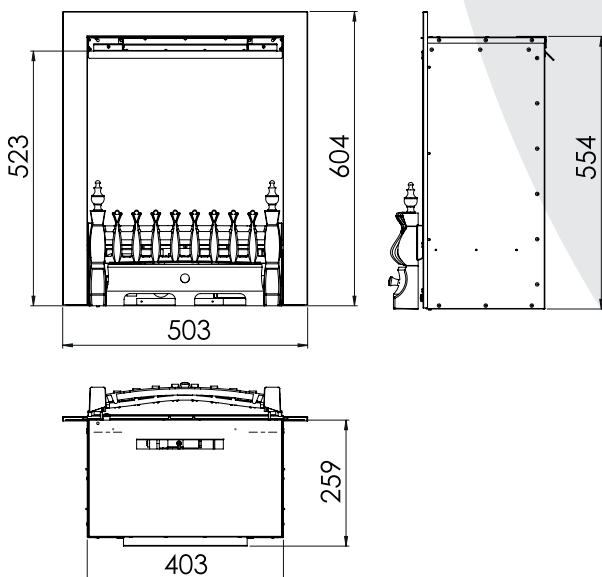
Designed to provide the ultimate in warm and comfortable living spaces.

At the heart of the fire is the all-new 'Core burner technology' which provides the ultimate in realistic flickering flames, glowing embers and black reflective glass internal liners.

All this results in a full, bright and glowing fire with fantastic appearance that has you wondering whether it is actually a real log fire you are watching!

Paragon Core is not just about the outstanding look though; it offers superb performance with a useful efficiency of up to 84.6% with a substantial heat output of up to 4.0 kW.

- 5.2kW input, 4.0kW output Natural Gas fire
- 84.6% efficiency (Class 1 efficiency)
- Realistic log fuel bed
- Available with high-level slide control or full infra-red remote control
- High-temperature black glass mirror fire box liners fitted as standard
- High-definition hand-finished realistic log-effect fuel bed
- Anti-reflective glass panel as standard. This reduces the majority of reflection and gives the fire an 'open' effect
- The Core is suitable to be fitted with all the current Paragon range of Trim, Fret and Fascia options.



Paragon Core CF with Elite chrome fascia



Paragon Core CF with Square Cast pewter fascia shown in Stokesay Premium Limestone surround.

Features:

1

2

NG

LPG



4.0 kW



27

Balanced flue – not for chimneys

Focus RS Plus

*One of the most efficient
balanced-flue fires on the market*

The award-winning Paragon RS was a trailblazer in putting the fire back into the fireplace rather than in front of it. The next-generation Focus RS Plus has been designed to build on this excellent foundation.

Heat and efficiency

- 4.3kW output
- 85% efficiency
- Meets the European Class One energy efficiency standard

Comfort and control

This fire may be specified with either:

- Manual control concealed behind 'ashpan' cover
- Slide control also available (on natural gas models only)
- The ultimate luxury – full sequential remote control, the last word in ease of operation – it even lights the pilot each time to save gas

Looks

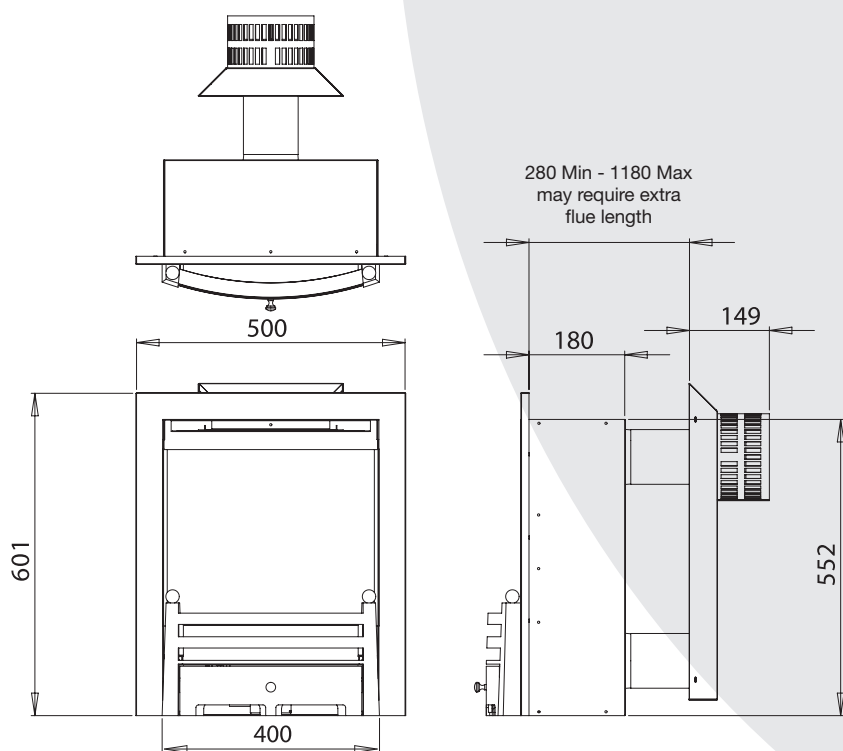
The Focus RS Plus can take on many different styles:

- Coal fuel bed
- Choice of trim and fascia options
- Pixilated edge glass for clean, neat styling

Flexible design

- Only requires a minimum of 4" hearth depth from the wall if floor mounted
- Can be mounted in up to 1.18 metre thick wall. This makes it the fire of choice for houses where the chimney has either failed or been removed at roof level.

For the complete range of trim and fret options available, see pages 38-41.



Focus RS Plus with brass Elite fascia. Shown with coal fuel bed.

Focus RS Plus brass trim with brass Gate fret. Shown with coal fuel bed.



Focus RS Plus with satin Elite fascia. Shown in Stokesay Premium Portuguese Limestone surround.

For specifications refer to the technical datasheet

Features:



NG

LPG



4.3 kW



Balanced flue – not for chimneys

Core BF

A truly glamorous real flame fire with heart-warming heat output, ease of use, stunning appearance and economical fuel burn.

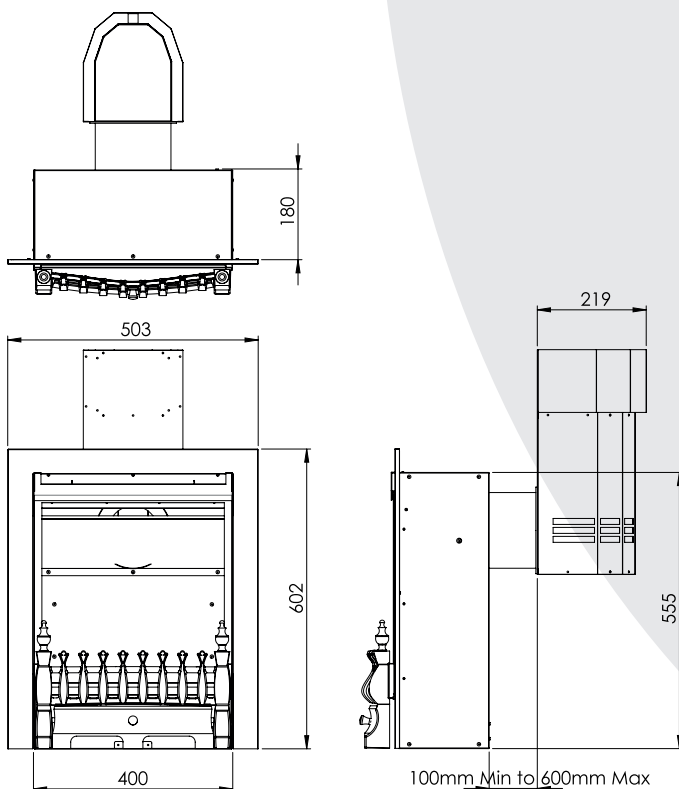
The Core balance flue is the first no-chimney product to use the 'Core' burner technology. The all-new Core burner and terminal design from Paragon boasts the highest efficiency to date at 89%. Along with this amazing performance, the Core balance flue provides the ultimate in realistic flickering flames, glowing embers and black reflective glass internal liners.

The Core balance flue continues with the use of the latest high-definition fibre detail and is finished in our 'fresh cut' log colour decoration.



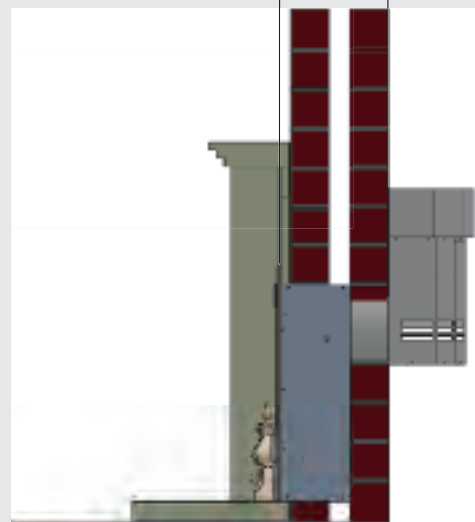
Paragon Core BF in Black Cast Arch Fascia

- Net thermal efficiency: 89% tested to EN613-2001
- Up to 4kW output
- Available with high level-slide control or Bluetooth remote control. The Bluetooth remote system offers: on/off, pilot standby and variable rate between high and low
- Low voltage 9V 2000mA plug-in transformer for easy electrical installation
- Realistic log fuel bed
- High-temperature black glass mirror fire box liners fitted as standard.
- Anti-reflective glass as standard. This reduces the majority of reflection and gives the fire an 'open' feel
- The Core balance flue is suitable to be fitted with all the current Paragon range of trim, fret and fascia options
- Only requires a minimum 4" (100mm) hearth depth from the wall if floor mounted
- Can be mounted into walls up to 880mm thick (maximum flue length of 600mm). This allows the fire to be used in houses where the chimney has either failed or been removed at roof level.



Balanced Flue

280mm Minimum to 880mm Maximum





Paragon Core BF with chrome Elite fascia and log fuel bed. Shown in Balmoral Premium Portuguese Limestone surround.

For specifications refer to the technical datasheet

- Features:
- NG
 - LPG
 -
 -
 - 4.0 kW
 -

CF fits most chimneys/BF Balanced Flue – not for chimneys

Introducing the new Paragon Edge Gas Stoves

Crisp, clean lines, profiled cast-iron door with steel body that blends flawlessly into a multitude of fireplaces and interior scenes.

Paragon Edge gas stoves are available in either conventional (chimney) or balanced flue (no chimney) versions. These stylish gas stoves offer a clean, efficient and easily manageable stove for those who want the look and feel of a wood-burning stove but with the convenience of gas.

Features

- Net thermal efficiency: 95% on balanced flue model and 82.5% on the conventional flue model.
- Anti-reflective glass as standard. This reduces the majority of reflections and gives the fire an 'open' feel.
- Black mirror glass firebox panels to enhance the flame picture.
- The balanced flue version can be either rear or up and out vented.
- Low voltage 9V 2000mA plug-in transformer for easy electrical installation.
- High-definition fresh cut finish log fuel bed.
- Bluetooth remote control system – on/off, pilot standby and variable rate between high and low rate.
- Large panoramic glass window for full flame view.

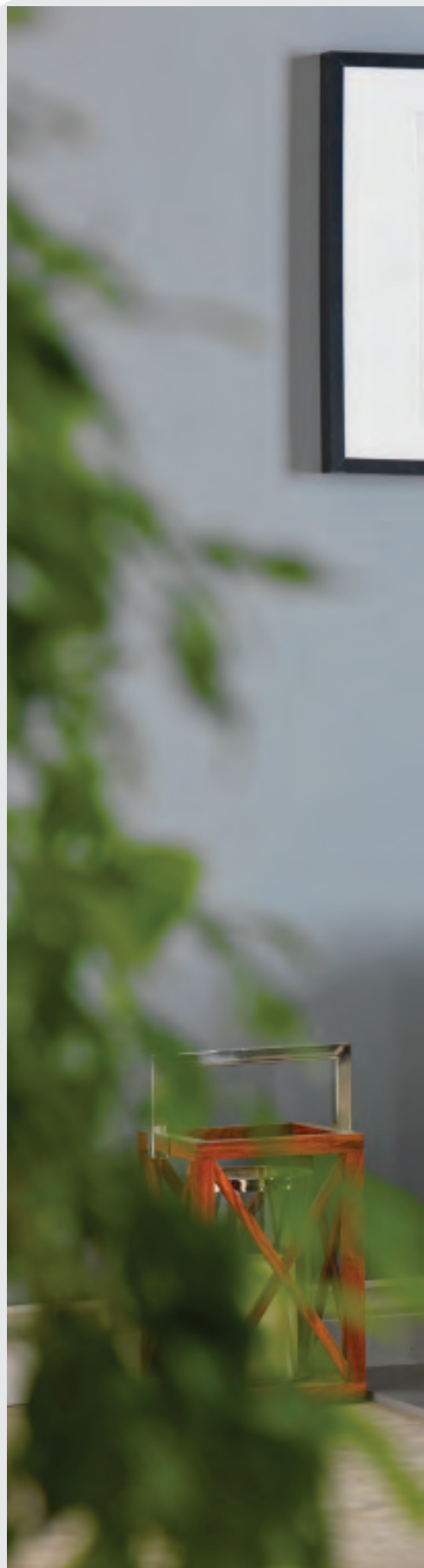


Paragon Edge BF Gas Stove shown in Stokesay Portuguese Limestone surround with black mirror glass firebox

Scan the QR code below to see the Paragon Edge BF Gas Stove in action on YouTube now ▼



Scan the QR code below to see the Paragon Edge CF Gas Stove in action on YouTube now ▼





Contents

Fires

Gas Stoves

Paragon Edge CF	34
Paragon Edge BF	36

Options & Technical

Flue types	42
Flue compatibility	43
Specs & Dimensions	44

Fits most chimneys

Paragon Edge CF Gas Stove

The Paragon Edge CF fits most chimneys

This stylish gas stove offers a clean, efficient and easily manageable stove for those who want the look and feel of a wood-burning stove but with the convenience of gas.

The Paragon Edge CF fits most chimneys and this stylish gas stove offers a clean, efficient and easily manageable stove for those who want the look and feel of a wood-burning stove without any hassle.

Features

- Net thermal efficiency: 82.5% tested to EN613-2001.
- Anti-reflective glass as standard. This reduces the majority of reflections and gives the fire an 'open' feel.
- Black mirror glass firebox panels to enhance the flame picture.
- Low voltage 9V 2000mA plug-in transformer for easy electrical installation.
- High-definition fresh cut finish log fuel bed.
- Bluetooth remote control system – on/off, pilot standby and variable rate between high and low rate.
- Large panoramic glass window for full flame view.
- 4kW heat output.

Conventional Flue

The Paragon Edge CF can be installed as a top outlet stove (Fig.1).

The optional Pre-cast flue kit for the Paragon Edge CF Stove will allow installation into properties without a conventional brick or clay liner flue system. This allows installation on to a flat wall via a pre-cast flue system within the cavity structure of the property (Fig.2).

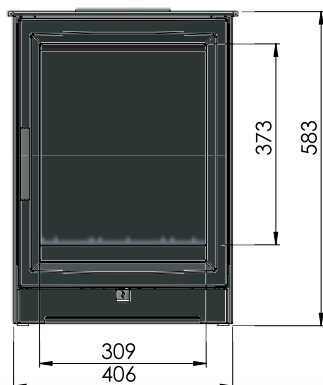
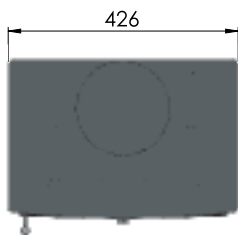


Fig. 1

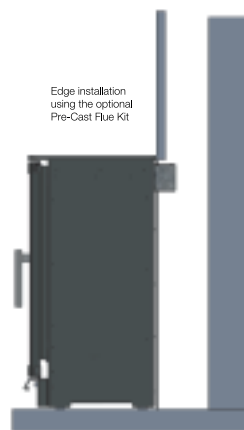


Fig. 2





Paragon Edge CF Gas Stove shown in Berrington Aegean Limestone surround

Features:

1

2

NG



4.0 kW



BF Balanced Flue – not for chimneys

Paragon Edge BF Gas Stove

The Paragon Edge BF (balanced flue) is designed to fit where a chimney is not available

This stylish balanced flue gas stove offers a clean, efficient and easily manageable stove for those who want the look and feel of a wood-burning stove but with the convenience of gas.

Features

- Net thermal efficiency: 95% tested to EN613-2001
- Anti-reflective glass as standard. This reduces the majority of reflections and gives the fire an 'open' feel.
- Black mirror glass firebox panels to enhance the flame picture.
- Low voltage 9V 2000mA plug-in transformer for easy electrical installation.
- High-definition fresh cut finish log fuel bed.
- Bluetooth remote control system – on/off, pilot standby and variable rate between high and low rate.
- Large panoramic glass window for full flame view.
- Heat output up to 6.0kW.

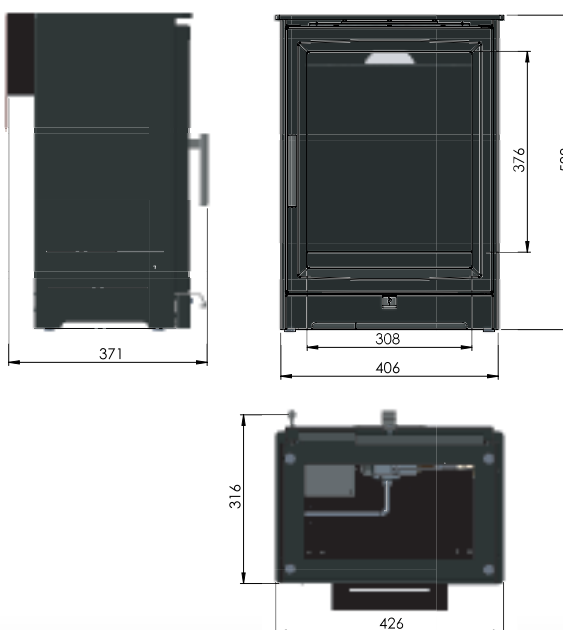
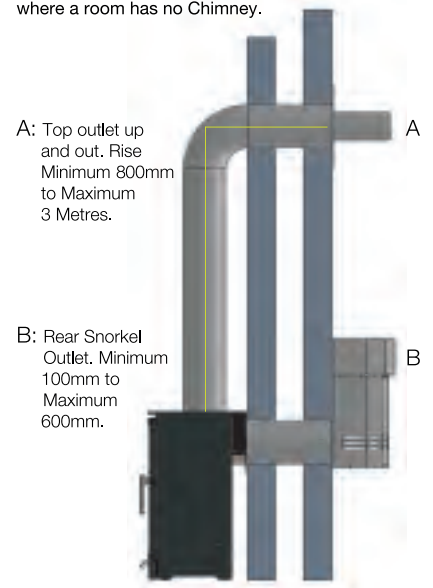
Balanced Flue Rear Vent

For rooms without a flue the Paragon Edge BF Stove may well be an alternative. The Paragon Edge BF Stove can be fitted using two alternative balanced flue systems. The snorkel system allows direct ducting of the gas product via a rear exit connect on an external facing wall. The Snorkel kit comes with a standard 600mm flue length which is cut to suit the cavity wall depth.

Balanced Flue – Top Vent Up & Out

The other alternative is via the up and out balanced flue kit from Paragon. This allows up to a 3 metre vertical run off the top of the appliance and will also allow a 5 metre horizontal flue in total. The up and out kit provided as standard allows for a vertical run of 800mm plus a 90 degree elbow with terminal which is cut to suit the cavity wall depth.

Flue system options available where a room has no Chimney.





Paragon Edge BF Gas Stove shown in Stokesay Portuguese Limestone surround with black mirror glass firebox

Features:



NG



6.0 kW



Choose the perfect fret for your fire

Fret Options

Fret Compatibility

Model	Wellington	Gate	Bayswater
2000 Plus	✓	✓	✓
2000 Extra	✓	✓	✓
2000 Low Lintel	✓	✓	✓
Slimline 3	✓	✓	✓
Paragon One	✓	✓	✓
Paragon One Evolution	✓	✓	✓
Focus HE Slimline	✓	✓	✓
Focus HE	✓	✓	✓
Core CF	✓	✓	✓
Focus RS Plus	✓	✓	✓
Core BF	✓	✓	✓

Wellington fret



Wellington brass.



Wellington antique.

Gate fret



Gate brass.



Gate chrome.



Gate black.



Gate brushed stainless steel.

Bayswater fret



Bayswater chrome.



Bayswater brass.

Choose the perfect trim for your fire

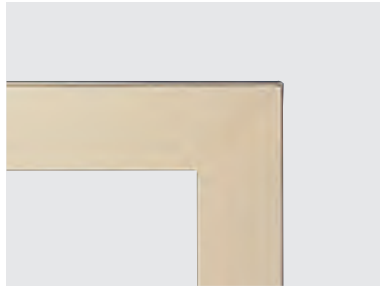
Trim Options

Trim Compatibility*

Model	Standard
2000 Plus	✓
2000 Extra	✓
2000 Low Lintel	✓
Slimline 3	✓
Paragon One	✓
Paragon One Evolution	✓
Focus HE Slimline	✓
Focus HE	✓
Core CF	✓
Focus RS Plus	✓
Core BF	✓

* Trim types may not be available in all colour options for all control types. Please ask your retailer who can discuss options with you.

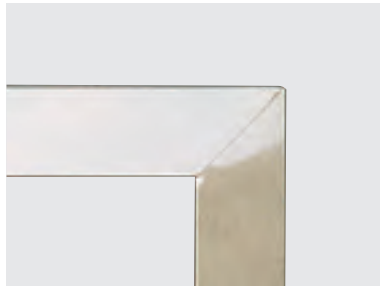
Standard trim Available for Manual, Slide Control & Remote fires



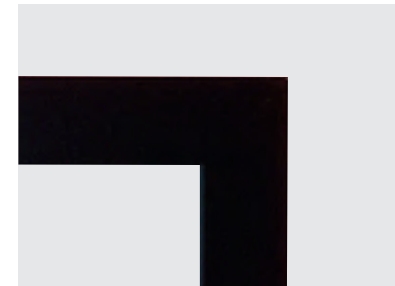
Brass.



Brushed stainless steel.



Chrome.



Black.



Choose the perfect fascia for your fire

Fascia Options *Complete trim and fret bar in one*

Simply put, a fascia is a trim and fret in a complete unit

On this page you will find a collection of fascias that fit the Paragon range of gas fires in this brochure. The table below will guide you to which fascias can be used with the specific gas fires.

Three-sided fascias are designed to sit on the hearth in a traditional setting.

Fascia Compatibility**†

Model	Solar III	Cast	Elite
2000 Plus	✓	✓	✓
2000 Extra	✓	✓	✓
Slimline 3	✓	✓	✓
Paragon One	✓	✓	✓
Paragon One Evolution	✓	✓	✓
Focus HE Slimline	✓	✗	✓
Focus HE	✓	✓	✓
Core CF	✓	✓	✓
Focus RS Plus	✓	✓	✓
Core BF	✓	✓	✓

* Fascias may not be available in all colour options for all control types. Please ask your retailer who can discuss options with you.

† To use the fascia on glass-fronted fires the fret top plate **must** be removed.

Solar III fascia options

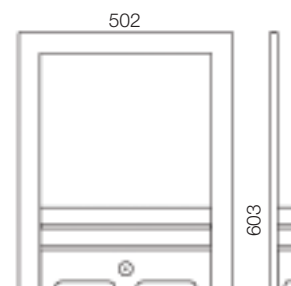
Available for Manual, Slide Control & Remote fires.



Solar III brushed stainless steel 3-sided



Solar III graphite 3-sided



Cast Arch fascia options

Available for Manual, Slide Control & Remote fires

(for Slide there is a removal section from the manual trim to allow for the slide lever).



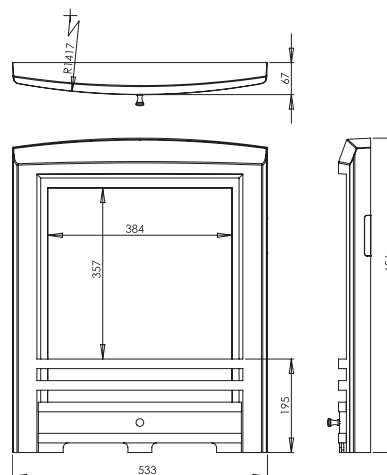
Cast Arch brass fascia



Cast Arch black fascia



Cast Arch chrome fascia



Square Cast fascia options

Available for Manual, Slide Control & Remote fires
 (for Slide there is a removal section from the manual trim to allow for the slide lever).



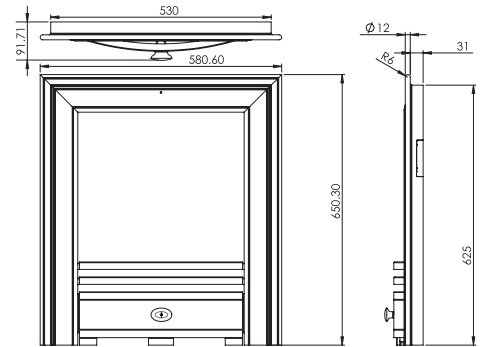
Cast Square pewter fascia



Cast Square brass fascia



Cast Square gun metal fascia



Elite fascia

Available for Manual, Slide Control & Remote fires



Chrome.



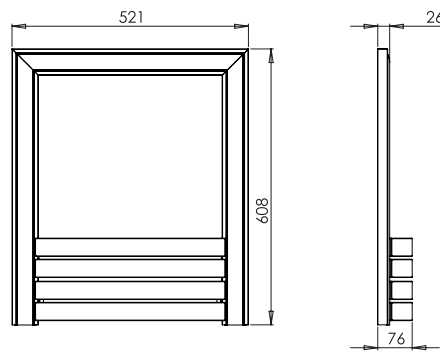
Satin.



Brass.



All Chrome.



Choosing the right fire for your lifestyle

Current gas safety regulations stipulate that any gas installation must be carried out by a Registered Gas Safe engineer. Your Paragon authorised dealer will be able to advise you on which model will best suit your home, what options are available and how to choose your Gas Safe registered fitter.

Our network of nationwide dealers is here to help you to enjoy the experience of owning a living flame gas fire.

Due to the vast number of varying flue types, your existing fire may need to be removed to confirm your flue and product suitability.

Typical flue types



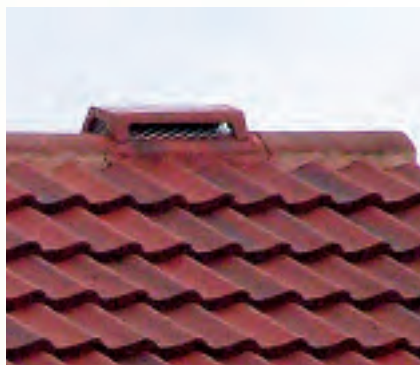
Chimney

A **brick chimney (Class I)** is recognised by a chimney stack with accompanying terracotta pot or gas terminal. Internal dimensions are usually either 9"x 9" (229 x 229mm) square or 8"- 9" (229 – 254mm) round cross-section.



Pre-fabricated flue

A **pre-fabricated flue (Class II)** has a metal flue and terminal. The internal dimensions are usually 5" (125mm) or greater round cross-section.



Pre-cast flue

A **pre-cast flue** can be identified by a ridge vent or metal flue tube and terminal. The internal dimensions vary but most Paragon fires will operate on 13500mm² or greater cross-section pre-cast flues in good working order.



No chimney or flue

No chimney or flue – if you have nothing on your roof, you probably have no chimney or flue. In this case, a **balanced flue** will usually suit this situation when positioned on a suitable outside wall.

Note: All chimneys and flues should be regularly checked for debris and efficiency and swept where appropriate. Chimneys and flues, even if properly constructed, can suffer from unexpected problems that cannot always be detected prior to installation. For this reason, the smoke test outlined in the fitting instructions must always be completed prior to and after installation of any gas fire.

Flue type compatibility



Model	Pre-cast	Class I	Class II	Balanced
2000 Plus	✓	✓	✓	✗
2000 Extra	✓	✓	✓	✗
2000 Low Lintel	✓	✓	✓	✗
Slimline 3	✓	✓	✓	✗
Paragon One	✗	✓	✓	✗
Paragon One Evolution	✗	✓	✓	✗
Focus HE Slimline	✓	✓	✓	✗
Focus HE	✗	✓	✓	✗
Core CF	✓	✓	✓	✗
Focus RS Plus	✗	✗	✗	✓
Core BF	✗	✗	✗	✓
Paragon Edge Gas Stove CF	✗	✓	✓	✗
Paragon Edge Gas Stove BF	✗	✗	✗	✓

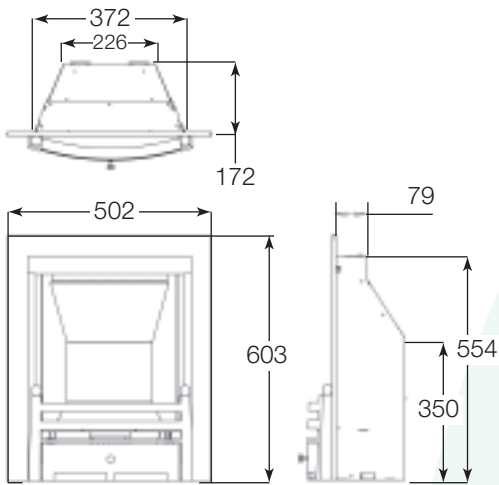
Flue compatibility



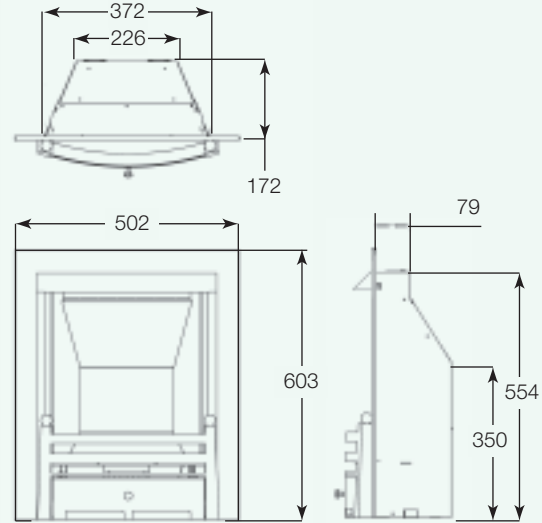
All Paragon gas fires are manufactured under a BS EN ISO 9001 quality system (registration number 5195), which covers all areas of product design, development, manufacture and service.

Open-flame

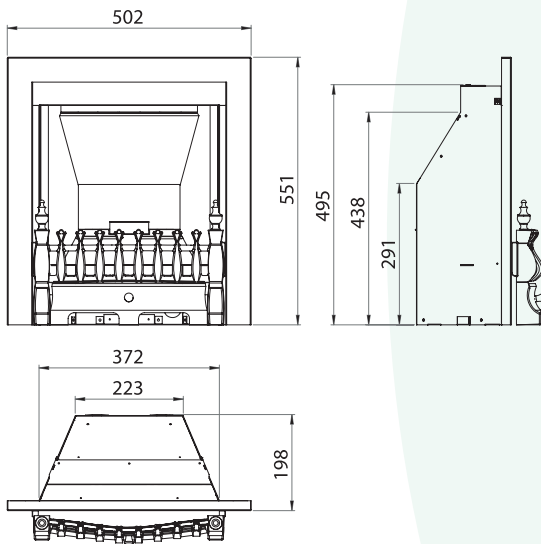
The 2000 Plus Range



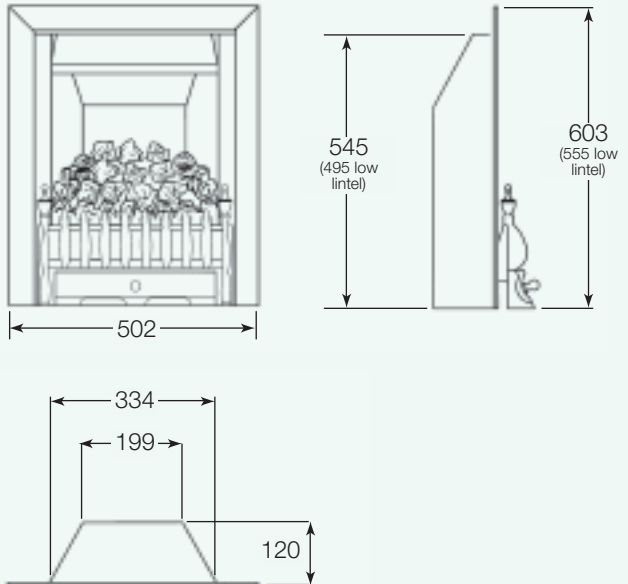
2000 Extra



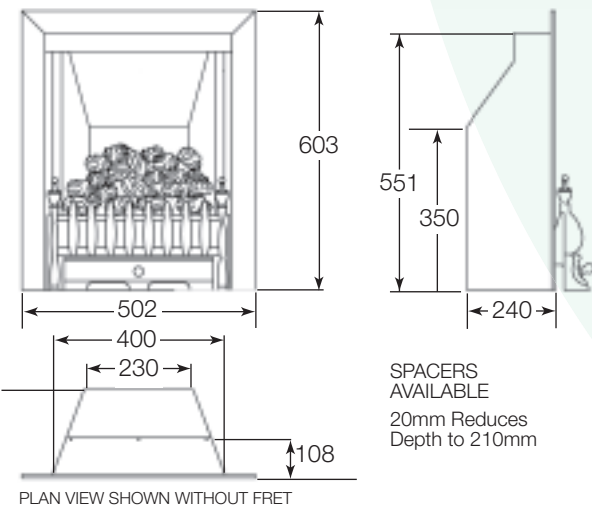
2000 Low Lintel



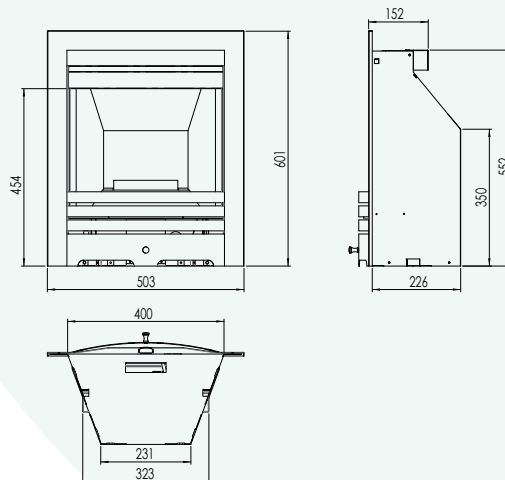
Slimline 3 Range



Paragon One



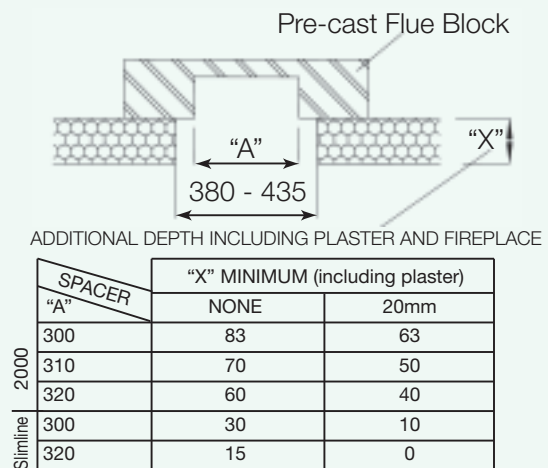
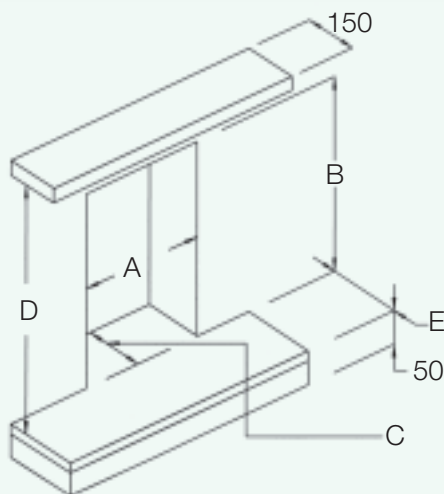
Paragon One Evolution



Chimney type, gas type, heat inputs, outputs, efficiency and measurements

Model	Chimney Type	Gas Type	Inputs, Outputs & Efficiency						Control options			Visible Dimensions w x h (mm)	Fireplace Openings:				
			Gross Input High (kW)	Output High (kW)	Net Efficiency (%)	Input Low (kW)	Efficiency Class	Energy Class	Manual	Slide control	Remote		Height Min (mm)	Height Max (mm)	Width Min (mm)	Width Max (mm)	Depth Min (mm)
2000 Plus	Class 1 & 2	NG	7.00	3.56	57.0	2.4	2	F	•	•	•	350 x 350	458	552	380	478	185
	Class 1 & 2	LPG	6.65	4.00	57.0	2.4	2	F	•	•	•	350 x 350	458	552	380	478	185
2000 Extra	Class 1 & 2	NG	7.00	4.00	63.0	2.4	2	F	•	•	•	350 x 280	458	552	380	478	185
2000 Low Lintel	Class 1 & 2	NG	7.00	3.56	56.6	2.4	2	F		•		350 x 300	500	526	380	478	185
Slimline 3	Class 1 & 2	NG	7.00	4.10	65.0	2.4	2	F	•	•		300 x 250	550	570	340	440	140
Pargon One	Class 1 & 2	NG	7.00	3.50	56.0	2.4	2	F	•	•	•	350 x 250	552	578	380	458	250
Paragon One Evolution	Class 1 & 2	NG	7.70*	4.40	63.0	2.4	2	F	•	•	•	350 x 250	552	578	380	458	250

* No ventilation required



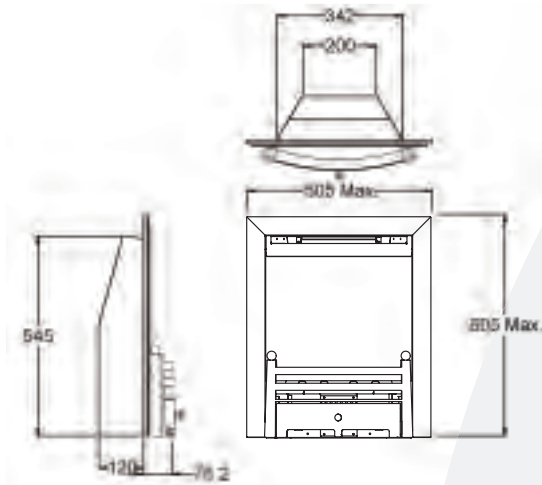
Please note: Our policy is one of constant development and improvement. Paragon Fires therefore reserves the right to revise the specification and design of its fires without formal notice. This leaflet is presented as a guide to aid in your decision and does not replace the need for technical assessment by your dealer. Whilst the utmost care is taken in preparation of this leaflet, it is not intended to replace the installation manual which provides more detailed information. Photography is for illustration purposes only and does not replace the need to see the fire in a showroom. We accept no liability for any loss or damage arising either directly or indirectly from the use of this leaflet.



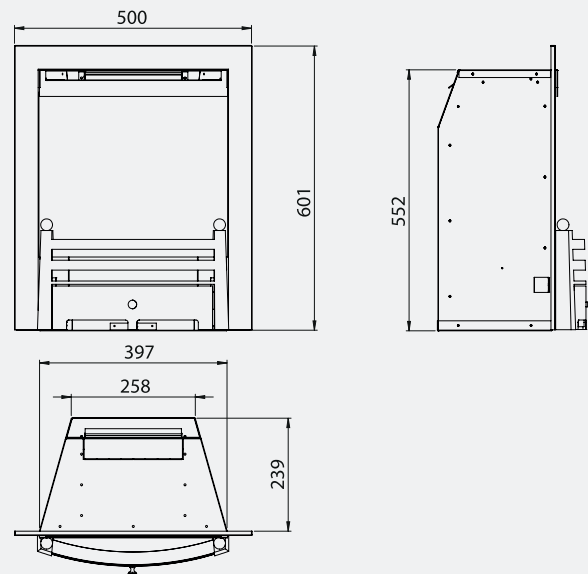
For expert advice and new product information follow us on twitter: @cJfires

Glass-fronted

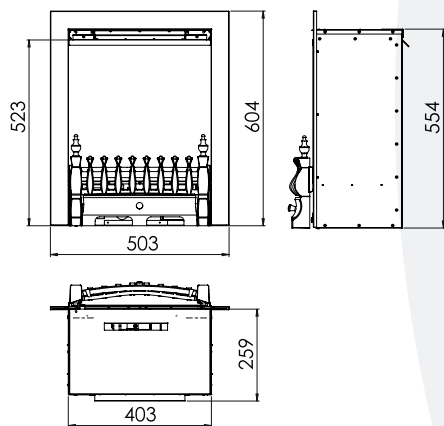
Focus HE Slimline



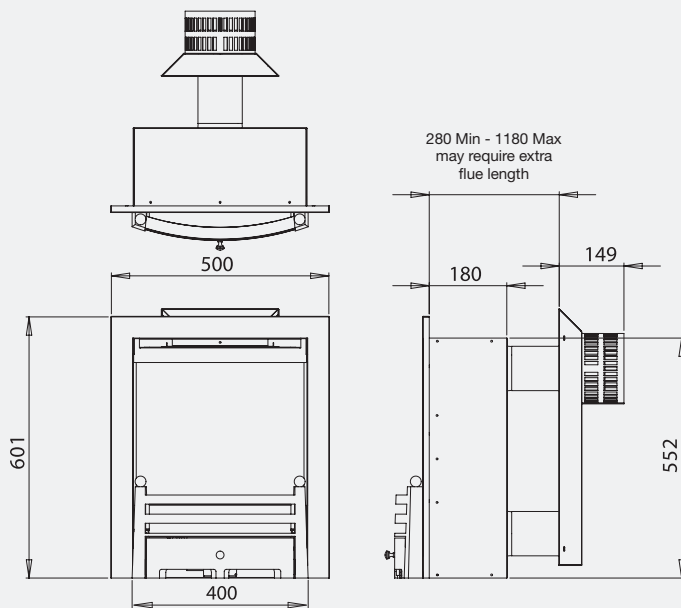
Focus HE



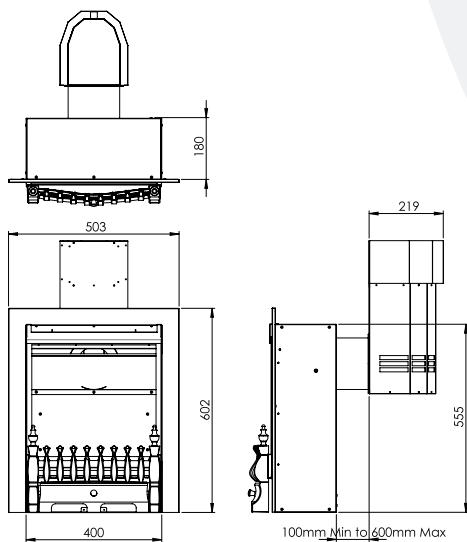
Core CF



Focus RS Plus



Core BF

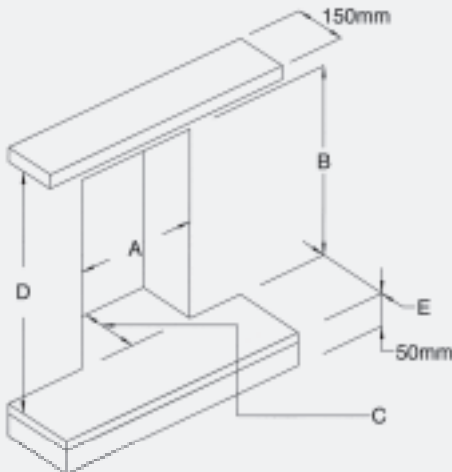


Chimney type, gas type, heat inputs, outputs, efficiency and measurements

Model	Chimney Type	Gas Type	Inputs, Outputs & Efficiency						Control options			Visible Dimensions w x h (mm)	Fireplace Openings:				
			Gross Input High (kW)	Output High (kW)	Net Efficiency (%)	Input Low (kW)	Efficiency Class	Energy Class	Manual	Slide control	Remote		Height Min (mm)	Height Max (mm)	Width Min (mm)	Width Max (mm)	Depth Min (mm)
Focus HE Slimline	Class 1 & 2	NG	4.2	3.00	77%	2.4	2	E		•		350 x 340	547	575	360	440	140
Focus HE	Class 1 & 2	NG	5.5	4.40	82%	2.4	1	D	•	•	•	400 x 340	560	580	400	456	320
	Class 1 & 2	LPG	5.1	4.00	82%	2.4	1	D				400 x 340	560	580	400	456	320
Core CF	Class 1 & 2	NG	5.2	4.00	85%	3.0	1	D		•	•	400 x 350	560	580	400	456	320
	Class 1 & 2	LPG	5.0	3.50	77%	3.3	2	D		•		400 x 350	560	580	400	456	320
Focus RS BF*	Balanced Flue	NG	5.4	4.30	85%	2.4	1	C	•	•	•	370 x 300	553	585	405	440	185
	Balanced Flue	LPG	4.9	3.90	85%	2.4	1	C				370 x 300	553	585	405	440	185
Core BF*	Balanced Flue	NG	4.9	3.90	89%	3.5	1	C		•	•	370 x 300	553	585	405	440	185
	Balanced Flue	LPG	4.5	4.00	95%	3.4	1	B		•		370 x 300	553	585	405	440	185

Our conventional flued fires are all tested to BS977-1 2009 + A1 2013. This is the current standard at time of print.

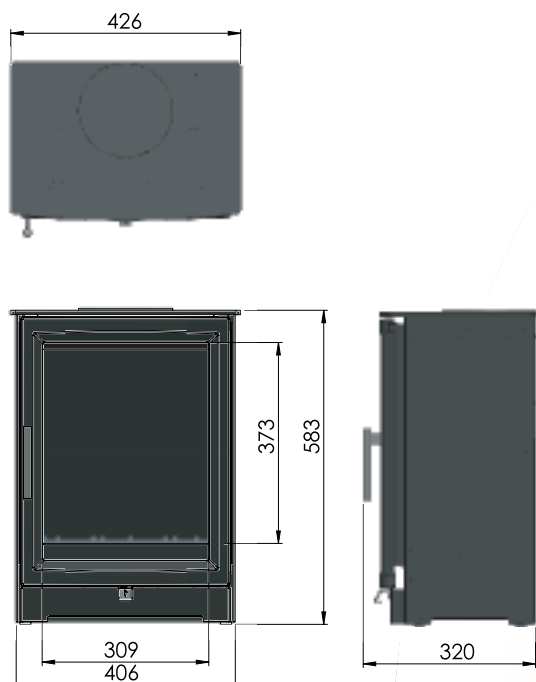
* These fires are tested to EN613-2001 which is the current standard for balanced flue fires at time of print.



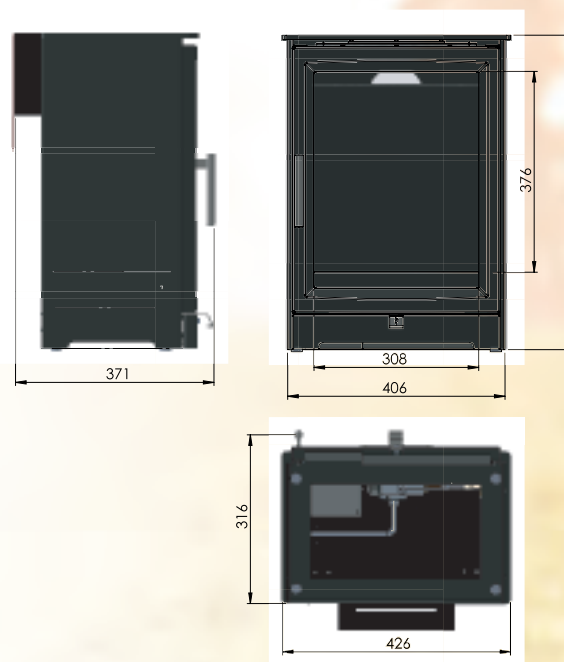
For expert advice and new product information
follow us on facebook: www.facebook.com/cJfires

Paragon Gas Stoves

Paragon Edge CF Gas Stove



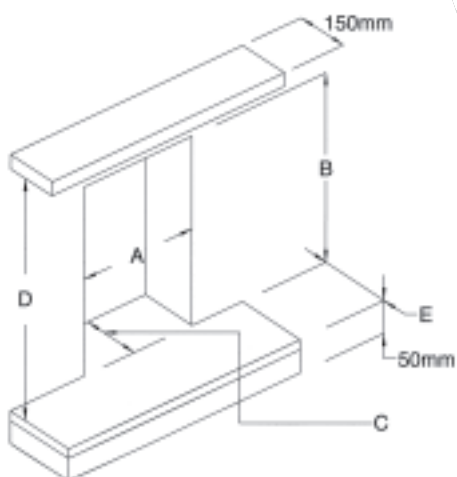
Paragon Edge BF Gas Stove



Chimney type, gas type, heat inputs, outputs, efficiency and measurements

Model	Chimney Type	Gas Type	Inputs, Outputs & Efficiency						Control options			Visible Dimensions w x h (mm)	Fireplace Openings:				
			Gross Input High (kW)	Output High (kW)	Net Efficiency (%)	Input Low (kW)	Efficiency Class	Energy Class	Manual	Slide control	Remote		Height Min (mm)	Height Max (mm)	Width Min (mm)	Width Max (mm)	Depth Min (mm)
Edge CF Stove	Class 1 & 2	NG	5.2	4.00	82.0	3.0	1	D			•	300 x 370	645	N/A	506	N/A	373
	Class 1 & 2	LPG	5.0	3.59	78.0	3.3	2	D			•	300 x 370	645	N/A	506	N/A	373
Edge BF Stove	Balanced Flue	NG	7.0	6.01	95.3*	4.4	1	B			•	300 x 370	645	N/A	506	N/A	373
	Balanced Flue	LPG	5.1	4.20	89.0*	3.8	1	C			•	300 x 370	645	N/A	506	N/A	373

* Efficiency on the Edge BF LPG was again taken using the up and out system





All Paragon gas fires are manufactured under a BS EN ISO 9001 quality system (registration number 5195), which covers all areas of product design, development, manufacture and service.

Please note: Our policy is one of constant development and improvement. Paragon Fires therefore reserves the right to revise the specification and design of its fires without formal notice. This leaflet is presented as a guide to aid in your decision and does not replace the need for technical assessment by your dealer. Whilst the utmost care is taken in preparation of this leaflet, it is not intended to replace the installation manual which provides more detailed information. Photography is for illustration purposes only and does not replace the need to see the fire in a showroom. We accept no liability for any loss or damage arising either directly or indirectly from the use of this leaflet.



A Great British Product

Charlton & Jenrick^{LTD}

Best of British fires, fireplaces & stoves



Paragon Fires

Charlton & Jenrick Ltd, Unit D,
Stafford Park 2, Telford, Shropshire TF3 3AR
Tel: 0845 519 5991 Fax: 0845 519 5992
e-mail: sales@charltonandjenrick.co.uk

www.charltonandjenrick.co.uk

CONNECT WITH US:



@cJfires



cJfires



1CJGroup



cJfires



charltonandjenrick