

# DANISH HEATING IDEAS 2020



■ IDENTITY	5
■ SCAN 41	6
■ SCAN 65	8
■ SCAN 66	10
■ SCAN 68	12
■ SCAN 80	16
■ SCAN 83	18
■ SCAN 85	22
■ SCAN SCAN 1008	24
■ SCAN 1003	26
■ SCAN 1003-B	28
■ SCAN 5000	30
■ SCAN DSA 12	34
■ BEFORE BUYING A WOOD-BURNING STOVE	36
■ ENVIRONMENTAL CONSIDERATIONS	38
■ TECHNICAL SUMMARY	40

Scan constantly works to improve its products as much as possible. We reserve the right to make technical changes and change colours and accessories without prior notice. Several of the stoves in this catalogue are illustrated with extra equipment.

# DANISH HEATING IDEAS









# WARMING IDEAS

Ever since the company was founded in Odense in 1978 we at Scan have focused on offering our customers the best wood-burning stoves on the market, paying particular attention to design, innovation and user-friendliness. For us it is not just about warmth, but about delivering a perfect flame, enclosed in a design-conscious piece of furniture to suit the majority of homes. The combination of Danish design, brave ideas and an eye for detail has turned Scan into a leading brand in wood-burning stoves.

## INNOVATION AND NEW THINKING

For Scan heating is more than just a practical or aesthetic matter. We see our stoves as innovative pieces of furniture that suit a modern lifestyle. Through creativity, an eye for detail and the courage to try out new ideas we have pushed ahead and shown the way both in terms of user-friendliness and the environment. Scan was the first to introduce sliding doors, glass with a 90 degree angle and glass handles for inserts.

## DANISH DESIGN

Denmark has a rich design tradition, which Scan is a part of. We exclusively use Danish designers to create our stoves, thus ensuring totality and the right expression. Consequently, you can always recognise Scan by the clean lines, which are typical of good Danish design.

We also have a tradition of setting new standards and our designers approach every challenge with the aim of creating something new. This has meant that Scan has constantly gained international recognition and we have won several design awards for our workmanship.

## IT'S ALL ABOUT THE DETAIL

At Scan we are focused on the details and put our soul into even the smallest things. With our critical eye and constant search for perfection, we have created revolutionary forms and technical solutions for the benefit of our customers.

By integrating the handles in the design and ensuring easy operation, we have combined form and function. This is one of many examples of what we call a 'smooth finish'.



## YOUR NEW FLAME

Enjoying the warmth from a perfect flame behind the stove's glass is the ultimate form of relaxation and enjoyment.

Our design process always focuses on creating extremely beautiful images of the flame and the best view.



Harrit & Sørensen



*“We have designed a minimalist stove with a cool handle. Scan 41 is easy to open, even when you’re carrying piles of wood. The vertical grip is the sophisticated detail of Scan 41.”*

*Thomas Harrit Nielsen*



## SCAN 41




# STYLISH DANISH DESIGN

Based on Danish design, Scan 41 is stylish and elegant. The design fits into several types of interiors.

Scan 41 is a medium-sized stove with a large glass door and a good view of the flames, which creates a warm and pleasant atmosphere. The stove is available with or without side glass, allowing you to choose even better visibility to the flames. The stove is user-friendly and has a solid, easy-to-operate, single-handle closure mechanism.



The stove is available with or without side glass. Both models come with a practical and elegant handle located at good user-friendly height.

- Weight: 119 kg • Effect 3-8 kW • 82/79 % efficiency • Heats up to 300 m<sup>3</sup>
- Exempt for burning wood in DEFRA smoke controlled areas 
- Energy Class: without sideglass  with sideglass 







# FUNCTIONAL WOODSTOVES

The Scan 65 series has been expanded with new Low Base models. They have a functional and compact design which makes them ideally suited for installation in smaller rooms. These models are perfect if you're looking to create a light and airy interior.

Scan 65 Low Base is available with or without glass on the sides and comes in black or grey paint.



- Weight: 115-123 kg • Effect 3-8 kW • 79-82 % efficiency • Heats up to 300 m<sup>3</sup>
- Exempt for burning wood in DEFRA smoke controlled areas
- Energy Class: without side windows **A+** with side windows **A**

\*Pictures may show added extras, not included in the price of the stove.

Scan 65-1 and 2 are a medium-sized stove with large glass door, providing a perfect view of the flames. The stoves are available with or without side glass. The Easylock system allows the door to close by itself without you having to turn a handle (not on Low Base models).





## SCAN 66

# INNOVATIVE DETAILS

The renowned Danish designers Harrit and Sørensen have delivered a playful design with innovative features. The organic shape creates a beautiful frame around the fire, and the visibility of the flames is maximised with a unique glass log guard. The handle and air valves are tempered glass. Hang it on the wall or choose from three different bases.



- Choose from black or white paint, wall fitting or one of the three different leg options.
- Weight from 90 kg • Effect: 3-7 kW
- 78 % efficiency • Heats up to 260 m<sup>3</sup>
- Exempt for burning wood in DEFRA smoke controlled areas 
- Energy Class: **A** 







# ELLIPTICALLY SHAPED


The straight lines and combination of glass and aluminum represent the principal of design expression. The elliptic shape adds an expression into its surroundings making it a piece of heating art. The large glass surfaces draw you to relax in front of the flames and take in the view of the fire.

The Scan 68 series is available with three different base options  
- or you can simply hang it on the wall.



Choose from pedestal, open or closed base and wall fitting. Trims and handles in black or aluminum.

Weight: 98 - 190 kg • Effect 3-8 kW • 79 % Efficiency • Heats up to 300 m<sup>3</sup> • Exempt for burning wood in DEFRA smoke controlled areas 

• Energy Class: **A** 

\*Pictures may show added extras, not included in the price of the stove.



*"Being designers, we love this shape.  
It allows the stove to adapt easily into  
its surroundings without any fuss".*

*Thomas Heide Nielsen*




# EVERY PIECE HAS A STORY

Scan 68 draws its design from the iconic Scan 58 series, the pinnacle of Danish Stove design, and one of the world's best selling wood stoves. With the new Scan 68-series we have reduced the emission 63 % and at the same time increased the performance of the burn chamber 4%-points to 79% efficiency.



With the high top model you can choose the Heat Storage System, which enables you to enjoy the warmth for up to 12 hours after the final log has been placed on the fire. Read more about the advantages of Scans heat storage system and heat - accumulating stones on page 37.

• Weight: 98 - 107 kg • Effect 3-8 kW • 80 % efficiency • Exempt for burning wood in DEFRA smoke controlled areas 

• Energy Class: **A** \*Pictures may show added extras, not included in the price of the stove





## SCAN 80

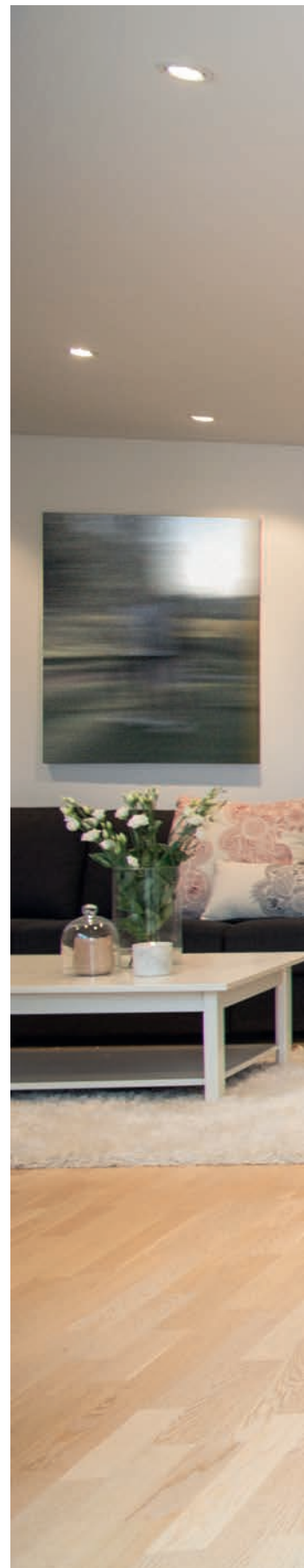
# EXCITING SHAPES

Scan 80 has the beautiful shape of a prism that gives 180 degree visibility of the flames. In true Danish design tradition, the handle is elegantly hidden inside the stove for a clean and attractive expression. Integrated ash drawer is standard. In the right-hand model, there is room for heat-retaining stones that emit heat for up to 12 hours after the last log is laid on the fire. Scan 80 now available in white, giving it a light and easy feeling.

The tall version of Scan 80 provides room for heat accumulating stones that will retain and give off heat for up to 12 hours after leaving the fire to dwindle. Read more on page 37.



- You can choose between a base with or without a door or High Top with extra heat storage.
- Weight: 105 / 110 kg • Effect: 3-8 kW • 84 % efficiency • Heats up to 300 m<sup>3</sup>
- Exempt for burning wood in DEFRA smoke controlled areas 
- Energy Class: **A+** 









- ▶  Champagne
-  Glossy white
-  Silver
-  Grey
-  Black
-  Glossy red



## SCAN 83


# SIMPLE DESIGN AND BEAUTIFUL DETAILS


Scan 83 is a round fireplace with a large glass door that gives a large and undisturbed view of the flames. You can choose between several models, with or without soapstone, with decorative mouldings and handle in black or aluminium and heat accumulating stones on the Maxi-versions.

The colour trends are changing fast, and we have several exciting colours so you can choose a wood-burning stove to suit the perfect interior decor. While traditional, black and grey is a must-have for some, others will have a more modern look around the flames.



■ The Scan 83 has an ash drawer with lock, cast iron bottom and grate plus adjustable feet. Also available with a revolving base for Scan 83-1, 83-2, 83-3 og 83-4 (revolving base can not be used with heat accumulating stones.)

• Weight: 117-212 kg • Estimated output: 3-7 kW • 81 % efficiency • Exempt for burning wood in DEFRA smoke controlled areas 

• Energy Class: **A+** 

\*Pictures may show added extras, not included in the price of the stove.

# WARM HEAT

The integrated soapstone elements store heat when the fire burns. When the flames die out, the stone slowly releases heat back into the room. This provides a warm and comfortable heat over a long period of time..



One of Denmark's strongest design teams, Harrit & Sorensen, is behind the Scan 83. The clean and simple design was born out of respect for both functionality and aesthetics.

## FUNCTIONALITY AND AESTHETICS

All details are well thought out, the rounded glass door has a self-closing door system with soft-close function. The inner bottom plate is deep and provides plenty of space for the wood and avoids ash spills..



The handle has been positioned so that it completes the simple design, while remaining cool at the same time.

## SCAN 83-5



## SCAN 83-6



## SOAPSTONE

Scan 83-5, 83-6, 83-7 Maxi and 83-8 Maxi have integrated soapstone elements which stores heat when the fire is burning. When the fire has gone out, this heat is slowly released back into the room.. Choose trims or handle in black or aluminium.

## SCAN 83-7 MAXI



## SCAN 83-8 MAXI



## SCANS HEAT STORAGE SYSTEM



The Heat Storage System is a combination of materials and technical design that ensures maximum heat output long after the fire has gone out.












# EFFECTIVE HEAT IN AN EXCLUSIVE DESIGN

With the Scan 85 the heat quickly spreads across a large area, while you enjoy the simple design and perfect view of the fire. With the high top model you can choose the Heat Storage System, which enables you to enjoy the warmth for up to 12 hours after the final log has been placed on the fire.

\*Read more about the advantages of Scans heat storage system and heat -accumulating stones on page 37.



reddot design award winner 2011

<p>SCAN 85-2</p> 	<p>SCAN 85-1</p> 	<p>SCANS HEAT STORAGE SYSTEM</p>  <p>The Heat Storage System is a combination of materials and technical design that ensures maximum heat output long after the fire has gone out.</p>
<p>SCAN 85-4 MAXI</p> 	<p>SCAN 85-5 HIGH TOP</p> 	<p>SCAN 85-6 HIGH TOP</p> 

■ Cylindrical smooth surface with full view of the fire. The handle is integrated in the stove and is activated by simply pressing it. Choose from decorative mouldings and handle in black or brushed aluminium as well as heat-accumulating stones\* for the Maxi variant. The standard size is available in white, black, or grey.

- Weight: 210 - 229 kg • Estimated output 3-10 kW • 78 % efficiency • Heats up to 380 m<sup>3</sup>
- Energy Class: **A**





## SCAN 1008

WITH A MODERN  
NORDIC EXPRESSION

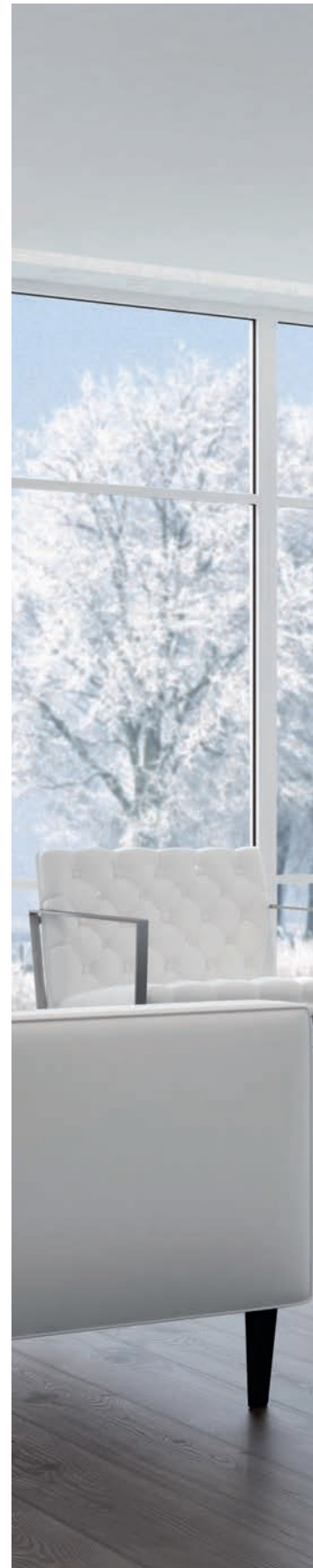
Scan 1008 fireplace insert gives the living room a cosy and modern Nordic expression. Scan 1008 can be installed as desired but is especially convenient for installation in a corner. Large open rooms feel warm and you get the pleasure of seeing the fireplace from both sides. In a true Danish design tradition, the handle, the controls and all technical details are elegantly hidden inside the stove to give a clean and attractive expression.

## SCAN 1008



Scan 1008 is an insert with integrated ash drawer for ease of emptying and it is easy to position. Curved glass provides unobstructed flame visibility on two sides.

- Weight: Scan 1008 82 kg/Scan 1008-S 138 kg
- Effect: 3-8 kW
- 84 % efficiency • Heats up to 300 m<sup>3</sup>
- Energy Class: **A+**





## SCAN 1003

# DISCRETE AESTHETICS

The discrete and exclusive built-in model Scan 1003 is available in classic black or modern white glass, or with a black steel door option.

A cool glass handle on the door completes the pure expression and separates the model from its competitors on the market. The insert distributes the heat optimally and gives you a wide screen view to the fire. Scan 1003 takes logs up to 50 cm.

SCAN 1003 STEEL, BLACK PAINT



SCAN 1003 WHITE GLASS



SCAN 1003 BLACK GLASS



Choose from front in black paint, white or black glass decor and trims in black or chrome.

- Weight: 107 kg • Effect 3-9
- 82% Efficiency • Heats up to 340 m<sup>3</sup>
- Energy Class: **A+**









S SCAN 1003-B

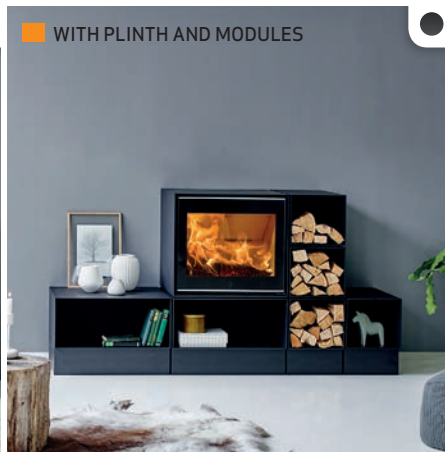
# A MODULAR CONCEPT

Choose your setup based on a large number of opportunities; wall hanging or placed on the floor, with different sized boxes and log compartments, with or without a plinth. You can personalise your Scan 1003-B to match your taste, needs and interior. This fireplace meets both aesthetic and practical needs.

You'll be charmed by the elegant simplicity and style of the front, underlined by the detail on the glass and the smooth air controls. The tinted glass handle is comfortable to touch and with a simple push, the door locks automatically.



WITH PLINTH AND MODULES



WITH PLINTH AND MODULES



WALL MODEL

- Choose between wall or floor model with or without plinth
- Weight: from 135 kg • Effect: 3-9 kW
- 82 % efficiency • Heats up to 340 m<sup>3</sup>
- Energy Class: **A+**









SCAN

# 5001, 5002 & 5003



Scan 5003 FL



## SCAN 5001, 5002 & 5003

# AMAZING VIEW

Scan 5001 is a vertical insert with a large glass front and black frame. The large flame image will be the dominant focal point of any room. The insert door is elegantly opened with a stylish handle.

The Scan 5002 and 5003 models offer the possibility for both standard installation and corner installation. The 600mm wide front provides an amazing view of the flames

SCAN 5001



Scan 5001 has a glass front and vertical flame image.

- Weight: from 105 kg • Effect: 3-7 kW
- 84 % efficiency • Heats up to 260 m<sup>3</sup>
- Energy Class: **A+**

SCAN 5002



Scan 5002 has a glass front and a horizontal view of the flames

- Weight: from 117 kg • Effect: 3-7 kW
- 83 % efficiency • Heats up to 260 m<sup>3</sup>
- Energy Class: **A+**

SCAN 5003 FL/FR



Scan 5003 is an insert made for corners and also has a horizontal view of the flames

- Weight: from 115 kg • Effect: 3-8 kW
- 85 % efficiency • Heats up to 300 m<sup>3</sup>
- Energy Class: **A+**

SCAN 5004

# EXCLUSIVE LARGE INSERTS

Scan 5004 FRL has a large burn chamber that takes logs up to 50cm. The light burn plates in chamotte give a bright look and an airy feel. The insert door is a guillotine door with a soft close mechanism. It opens elegantly by pulling up. The insert is suitable for self-designed and masonry fireplace surrounds.

Scan 5004 FR /5004 FL is a large insert with guillotine door with glass on both sides; front and left or front and right and is perfect for corner installations.

SCAN 5004 FR



Scan 5004 FR/FL is a large insert with glass on two sides - front and left or right side.

- Weight: 241 kg • Effect: 3-9 kW
- 85 % Efficiency
- Heats up to 340 m<sup>3</sup>
- Energy Class: **A+**

SCAN 5004 FRL



Scan 5004 is a large insert with glass on three sides that will be the dominant feature in a room and provide a sense of luxury.

- Weight: from 210 kg • Effect: 3-10 kW
- 83 % efficiency • Heats up to 380 m<sup>3</sup>
- Energy Class: **A+**







Scan 5004 FRL

## S SCANDSA 12

## DISCRETE AND WELL-CONSIDERED DESIGN

A fireplace insert with glass on both sides enabling you to see right through. It can be operated from both sides, but one door can be locked, if you only wish to operate it from one side.

SCAN DSA 12



- Estimated output 5-11 kW
- 80 % efficiency
- Heats up to 425 m<sup>3</sup>
- Energy Class: **A**







# BEFORE BUYING A WOOD-BURNING STOVE

For most of us, a wood-burning stove is a big investment that we want to last for many years. It is therefore important to check out the conditions in your home before deciding.

## FLUE

If your home does not have a flue, ask the dealer about the possibility of getting a flue to suit your stove.

If you already have a flue, it is important to get it checked to make sure it is in a usable condition.



## SAFETY

Our approvals are your guarantee that your wood-burning stove has been thoroughly tested and checked. All products are tested in terms of safety and function. We therefore automatically give a 5-year (excluding consumable items) right to claim. Selected authorised Scan dealers are available with further technical information regarding installation and service etc. See also [www.scan.dk](http://www.scan.dk)

## APPROVAL

A wood-burning stove must be safe when in use, easy to operate and protect the environment.

It is therefore a good idea if the stove does not just meet the national standards and requirements, but surpasses them.

## SIZE

It is important to get a stove that is proportioned for the area it has to heat.

## CLEARANCE

Take note of the applicable regulations regarding clearances to combustible material and the correct floor covering.

The authorised Scan dealer will be happy to advise you on the regulations.

## INFORMATION ON INSTALLATION

To avoid installing the stove incorrectly and to ensure correct use, it is important to follow the assembly and instructions manual carefully.

We recommend that the installation is performed by an authorised Scan fitter to ensure optimum function and safety of the installation.

Information on Scan dealers can be found at [www.scan.dk](http://www.scan.dk).

As the house owner you are responsible for ensuring that installation and fitting are carried out in accordance with national and local building regulations as well as the information provided in the assembly and instructions manual.

If you want to do the fitting yourself, you should make sure you can do it safely and according to the applicable regulations.

As the house owner you must register the installation of a new fireplace with your local building authorities (always respect the national rules in your country).

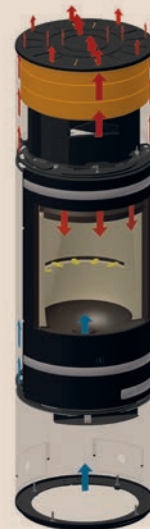


## KEEPS HEATING FOR LONGER

Scan's unique Heat Storage System gives you the opportunity to have extra warmth for up to 12 hours after putting in the last log.

The Heat Storage System is a combination of materials and technical design that ensures maximum heat output long after the fire has gone out.

The Heat Storage System is compact and concealed inside the top of the stove. Here the heat-accumulating



material collects the heat produced in the combustion chamber. A valve in the top of the stove is standard on Scan's heat accumulating products. Stoking with the valve open delivers heat faster. When the valve is closed, the heat is stored, and heat emission is extended by up to 12 hours.

## QUALITY

All Scan stoves are characterised by their high quality and are produced from the best possible materials. We conduct a thorough goods inwards inspection of raw materials and final inspection of the product. Via a registration number, it is possible to trace the origin of the stove which makes ordering spare parts easier.

Unique details such as a cool handle, efficient air wash and simple operation are quality features - and make lighting and stoking much easier.

# WOOD-BURNING STOVES MEET ENVIRONMENTAL CONSIDERATIONS

Burning wood is a sustainable and economic form of energy. If the wood-burning stove has been designed correctly, you save fuel. At Scan we strive constantly to increase the efficiency of the combustion and meet the most stringent of international requirements. Scan is therefore among the producers of wood-burning stoves that has achieved most approvals on the international stage.

**A FOCUS ON ENVIRONMENTALLY-FRIENDLY HEATING**

Scan's objective is to develop wood-burning stoves that burn more cleanly and more economically than all others.



**UNIQUE COMBUSTION SYSTEM**

The highly developed combustion system, Clean Burn, ensures that our wood-burning stoves are technological forerunners and set new standards for high efficiency and low CO2 emissions and wood consumption. The through-flow of air also ensures that the glass remains optimally clean.

**ECO LABEL**

The Ecodesign - and the Ecolabel Directive are two instruments initiated by the EU. They aim to reduce the environmental impact of energy-related products throughout their life cycle. This allows you to choose the most energy-efficient wood stove on the market. Marking our products with their energy-efficiency class will guide you to choose the most energy-efficient product, with the lowest operating cost and impact on the environment. All in order for you to make your best choice for the present, - for the future and for the environment.

Clean Burn was developed to meet the strictest international requirements for clean burning and to protect both people and the environment.

Models in our range indicated with this logo are DEFRA exempt, this enables the appliance to burn wood in a UK smoke controlled area.





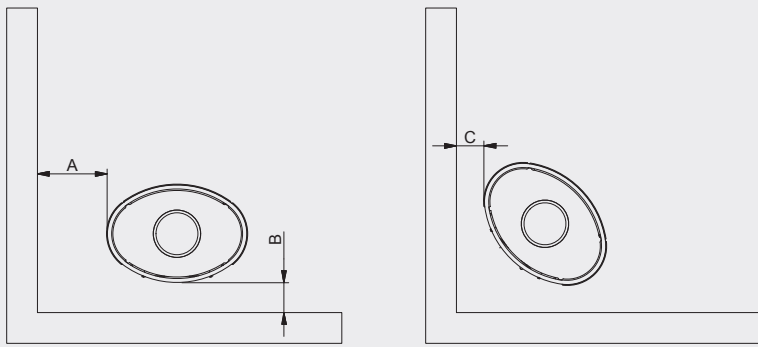
# TECHNICAL DATA

- = standard
- = option \*)
- ▲ = extras

\*) see further details in the manual on scan.dk

Some options can be at a supplementary price  
We refer to the manuals for distances to combustible materials

Free Standing Stoves (according to EN 13240):	Scan 41-1	Scan 41-2	Scan 65-1	Scan 65-2	Scan 65-1/2 Low Base
EN nominal performance (kW)	6	6	6	6	6
Efficiency (%)	82	79	82	79	82/79
Emission (% CO at 13% O <sub>2</sub> )	0,08	0,1	0,08	0,1	Scan 65-1) 0,08 Scan 65-2) 0,1
Distance to combustible materials uninsulated start section, sides/rear/corner (mm) (A/B/C). For revolving stoves, see the manual	350/150/100	500/150/250	350/150/100	500/150/250	(Scan 65-1) 350/150/100 (Scan 65-2) 500/150/250
<b>Other Properties:</b>					
Est. operating range (kW)	3-8	3-8	3-8	3-8	3-8
Room size approx. (m <sup>3</sup> )	50-300	50-300	50-300	50-300	50-300
Max. log length (cm)	30	30	30	30	30
Weight (kg)	119	119	123	123	115
Dimensions HxWxD (mm) *	1136x490x 371	1136x490x 371	1131x490x 380	1131x490x 380	1000x490x 380
Height to the middle of flue outlet rear (mm):	1010	1010	1011	1011	880
Height to the beginning of flue pipe at top outlet (mm):	1107	1107	1110	1110	979
Fire box opening HxB (mm)	326x364	326x364	326x364	326x364	326x364
Flue outlet (mm)	Ø 150	Ø 150	Ø 150	Ø 150	Ø 150
Clean Burn	●	●	●	●	●
<b>Approvals:</b>					
EN 13240	●	●	●	●	●
NS 3058	●	●	●	●	●
DEFRA	●	●	●	●	●
<b>Stove colour/lateral covering/side windows:</b>					
Black	□	□	□	□	□
Grey	-	-	□	□	□
Glossy white (GWH)	-	-	-	-	-
Side windows	-	●	-	●	(Scan 65-2) ●
<b>Extra accessories:</b>					
Top plate soap stone	-	-	-	-	-
Heat accumulating stones	-	-	-	-	-
Shaped floor plate glass	▲	▲	▲	▲	▲
Shaped floor plate steel	▲	▲	▲	▲	▲
Front panel for base in black, grey or white	-	-	-	-	-
Option of closed combustion system *)	●	●	●	●	●



Measurement drawing:  
 The most standard clearances to combustible material are shown in the table, in which the measurements are referred to as A, B and C.  
 See [www.scan.dk](http://www.scan.dk) for further information.

	Scan 66-1	Scan 66-2 Scan 66-4	Scan 66-5	Scan 68-1/2 Scan 68-7/8 Wall	Scan 68-3/4/5/6
	5	5	5	5	5
	78	78	78	79	80
	0,03	0,03	0,03	0,04	0,04
	sides 300	300/150/150	300/150/150	400	450/100/100
	3-8	3-8	3-8	3-8	3-8
	50-260	50-260	50-260	50-300	50-300
	33	33	33	33	33
	90	100	120	98	105
	630x481x 337	946,5x481x 337	943 x1037x 337	794x500x 391	1272/1222x 500x350
	From top 148,5	799	796	681	1160/1110
	-	885	881	776	1255/1205
	239x340	239x340	239x340	310X303	310X303
	Ø 150	Ø 150	Ø 150	Ø 150	Ø 150
	●	●	●	●	●
	●	●	●	●	●
	●	●	●	●	●
	●	●	●	●	●
	□	□	□	□	□
	-	-	-	□	□
	□	□	□	□	□
	-	-	-	(Scan 68-7/8) ●	-
	-	-	-	▲	▲
	-	-	-	-	-
	-	(Scan 66-2) ▲	▲	▲	▲
	-	(Scan 66-2) ▲	▲	▲	▲
	-	-	▲	-	-
	●	●	●	●	●



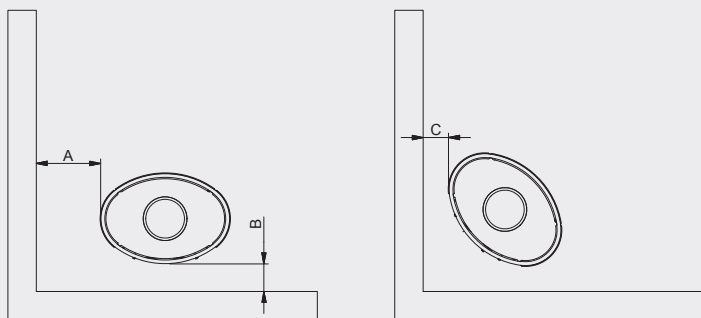
Free Standing Stoves (according to EN 13240):	Scan 68-9/10/11/12	Scan 68-13 Scan 68-14	Scan 68-13/14 Low Base	Scan 68-13 Scan 68-14 High Top	Scan 68-15 Scan 68-16	Scan 68-15 Scan 68-16 Low Base
EN nominal performance (kW)	5	5	5	5	5	5
Efficiency (%)	79	79	79	79	79	79
Emission (% CO at 13% O <sub>2</sub> )	0,04	0,04	0,04	0,04	0,04	0,04
Distance to combustible materials uninsulated start section, sides/rear/corner (mm) (A/B/C). For revolving stoves, see the manual	500x150x350	400x150x100	400x150x100	400x150x100	400x150x100	400x150x100
<b>Other Properties:</b>						
Est. operating range (kW)	3-8	3-8	3-8	3-8	3-8	3-8
Room size approx. (m <sup>3</sup> )	50-300	50-300	50-300	50-300	50-300	50-300
Max. log length (cm)	33	33	33	33	33	33
Weight (kg)	105	110	110	130	190	110
Dimensions HxWxD (mm)*)	1272/1222x 500x350	1222x500x 350	1000x500x 350	1650x500x 366	1257x586x 373	1035x586x 371
Height to the middle of flue outlet rear (mm):	1160/1110	1110	1000	1110	1110	1000
Height to the beginning of flue pipe at top outlet (mm):	1255/1205	1205	1205	1205	1205	1205
Fire box opening HxB (mm)	310X303	310X303	310X303	310X303	310X303	310X303
Flue outlet (mm)	Ø 150	Ø 150	Ø 150	Ø 150	Ø 150	Ø 150
Clean Burn	●	●	●	●	●	●
<b>Approvals:</b>						
EN 13240	●	●	●	●	●	●
NS 3058	●	●	●	●	●	●
DEFRA	●	●	●	●	●	●
<b>Stove colour/lateral covering/side windows:</b>						
Black	□	□	□	□	□	●
Grey	-	-	-	-	-	-
Glossy white (GWH)	□	□	□	□	□	-
Glossy red (GLR)	-	-	-	-	-	-
Champagne (CHA)	□	□	□	□	□	-
Silver (SIL)	□	□	□	□	□	-
Soap stone	-	-	-	-	●	●
Side windows	●	-	-	-	-	-
<b>Extra accessories:</b>						
Top plate soap stone	▲	▲	▲	▲	●	●
High top element	-	-	-	●	-	-
Heat accumulating stones	-	-	-	▲	▲	-
Shaped floor plate glass	▲	▲	▲	▲	▲	▲
Shaped floor plate steel	▲	▲	▲	▲	▲	▲
Option of closed combustion system *)	●	●	●	●	●	●

- = standard
- = option \*)
- ▲ = extras

\*) see further details in the manual on scan.dk  
 \*\*) placed vertically

Some options can be at a supplementary price  
 We refer to the manuals for distances to combustible materials

	Scan 68-15 Scan 68-16 High Top	Scan 80-1/2	Scan 80- 3/4	Scan 83-1/2 Scan 83-5/6	Scan 83-3/4 Scan 83-7/8	Scan 85-1 Scan 85-2	Scan 85-3 Scan 85-4
	5	6	6	5	5	8	8
	79	84	84	81	81	78	78
	0,04	0,06	0,06	0,07	0,07	0,06	0,06
		450x100x200	450x100x200	400/100/100	400/100/100	600/100/100	600/100/100
	3-8	5-9	5-9	3-7	3-7	3-10	3-10
	50-300	50-300	50-300	50-260	50-260	75-380	75-380
	33	25	25	35 **)	35 **)	50 **)	50 **)
	235	105	110	117-186	125-212	210	229-319
	1685x586x 373	1351x 385x385	1670x 385x385	1200x460x460	1410x460x460	1464x520x520	1864x520x520
	1110	1205,5	1567	1064	1064	1347	1547
	1205	1349	1349	1162	1162	1442	1642
	310X303	447x258	447x258	388x353	388x353	447x327	447x327
	Ø 150	Ø150	Ø150	Ø 150	Ø 150	Ø 150	Ø 150
	•	•	•	•	•	•	•
	•	•	•	•	•	•	•
	•	•	•	•	•	•	•
	•	•	•	•	•	-	-
	•	•	•	□	□	□	□
	-	-	-	□	□	□	□
	-	(Scan 80-1) □	(Scan 80-3) □	(Scan 83-1/2) □	(Scan 83-3/4) □	□	-
	-	-	-	(Scan 83-1/2) □	(Scan 83-3/4) □	-	-
	-	-	-	(Scan 83-1/2) □	(Scan 83-3/4) □	-	-
	-	-	--	(Scan 83-1/2) □	(Scan 83-3/4) □	-	-
	-	-	-	(Scan 83-5/6) □	(Scan 83-7/8) •	-	-
	-	-	-	-	-	-	-
	•	-	-	(Scan 83-5/6) ▲	(Scan 83-7/8) ▲	-	-
	•	-	-	-	-	-	• (BP only)
	▲	-	▲	-	▲	-	▲
	▲	▲	▲	▲	▲	▲	▲
	▲	▲	▲	▲	▲	▲	▲
	•	•	•	•	•	•	•



Measurement drawing:

The most standard clearances to combustible material are shown in the table, in which the measurements are referred to as A, B and C.

See [www.scan.dk](http://www.scan.dk) for further information.

Freestanding stoves (according to EN 13240)	Scan 85-5 Scan 85-6	Scan 85-7 Scan 85-8	SCAN 1003-B wall	SCAN 1003-B
EN nominal performance (kW)	8	8	7	7
Efficiency (%)	78	78	82	82
Emission (% CO at 13% O <sub>2</sub> )	0,06	0,06	0,07	0,07
Distance to combustible materials uninsulated start section, sides/rear/corner (mm) (A/B/C)	600/100/100	600/100/100		400/150/50
<b>Other Properties:</b>				
Est. operating range (kW)	3-10	3-10	3-9	3-9
Room size approx. (m <sup>3</sup> )	75-380	75-380	75-340	75-340
Max. log length (cm)	50**)	50**)	50	50
Weight (kg)	220-310	220	135	174,5
Dimensions HxWxD (mm)	1664x520x520	1664x520x520	572x649x479	965x649x479
Height to the middle of flue outlet rear (mm):	1347	1547	472,5	873
Fire box opening HxB (mm)	447x327	447x327	334 x 521	334 x 521
Flue outlet ext./int. flue pipe (mm)	Ø 150	Ø 150	Ø150	Ø150
Clean Burn	●	●	●	●
<b>Approvals:</b>				
EN 13229	●	●	●	●
NS 3058	●	●	●	●
DEFRA	-	-	-	-
<b>Stove colour:</b>				
Black paint	□	□	●	●
Grey	□	□	-	-
Glossy white (GWH)	-	-	-	-
Metallic brown (MBR)	-	-	-	-
Glossy red (GLR)	-	-	-	-
<b>Extra accessories:</b>				
Chrome trim/black handle	-	-	□	□
Black trim/black handle	-	-	□	□
Option of closed combustion system**)	-	-	●	●
Floor plate glass	-	-	▲	▲
Small/large module boxes (incl. magnets)	-	-	▲	▲
Plinth for small/large module	-	-	-	▲
Inside protection glass for modules	-	-	▲	▲
Extra magnets	-	-	▲	▲
Small/large wall bracket	-	-	▲	-

\*) see further details in the manual on scan.dk

\*\*\*) placed vertically

- = standard
- = option \*)
- ▲ = extras

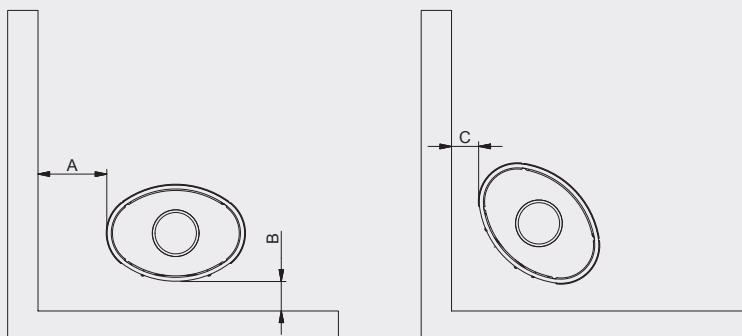
Some options can be at a supplementary price

We refer to the manuals for distances to combustible materials



Inserts (according to EN 13229)	SCAN 1003 VE/CS	SCAN 1008	SCAN 5001	SCAN 5002	SCAN 5003	SCAN 5004 FRL	SCAN 5004 FR/FL	DSA 12
EN nominal performance (kW)	7	6	5	4,8	5,7	7,8	6,9	9
Efficiency (%)	80/81	82	84	83	85	83	85	80
Emission (% CO at 13% O <sub>2</sub> )	0,07	0,06	0,09	0,08	0,08	0,09	0,07	0,09
<b>Other Properties:</b>								
Est. operating range (kW)	3-9	3-8	3-7	3-7	3-8	3-10	3,5-12	5-11
Room size approx. (m <sup>3</sup> )	75-340	50-300	50-260	50-260	75-300	75-380	75-340	75-425
Max. log length (cm)	50	25	30	45	45	40	45	50
Weight (kg)	103/121	84	105	117	115	210	241	210
Dimensions HxWxD (mm)	570x 650x438	1096- 1106x 405x405	1062x 509x462	892x 677x405	1033x 638x389	1342x 807x567	1357x 876x628	989x 840x460
Height to the beginning of flue pipe at top outlet (mm):	489		489	959	939	1086	1091	-
Fire box opening HxB (mm)	334x521	447 x 258/258	375x332	375x502				295x550
Flue outlet ext./ int. flue pipe (mm)	Ø148/144	Ø150	Ø149/135	Ø149/135	Ø149/135	Ø200/175	Ø200/175	Ø179/175
Flue outlet ext. Flexible pipe (mm)	-	-	-	-	-	-	-	-
Clean Burn	•	•	•	•	•	•	•	•
<b>Approvals:</b>								
EN 13229	•	•	•	•	•	•	•	•
NS 3058	•	•	•	•	•	•	•	•
DEFRA	-	-	-	-	-	-	-	-
<b>Stove colour:</b>								
Black paint	□		•	•	•	•	•	•
Black glass	□		-	-	-	-	-	-
White glass	□		-	-	-	-	-	-
<b>Extra accessories:</b>								
Trim black, standard	□		-	-	-	-	-	•
Trim grey, standard	-		-	-	-	-	-	-
Trim chrome, standard	□		-	-	-	-	-	-
Convection / heat shield	-		□	□	□	□	□	-
Frame	-		□	□	□	□	□	-
Heat accumulating stones	-		□	□	□	□	□	-
Convection	-		□	□	□	□	□	-
Possibility for fresh air inlet in the convection channels **)	-		-	-	-	-	-	-
Option of closed combustion system **)	•		•	•	•	•	•	•

VE=Vermiculite  
CS=Ceramic Stone



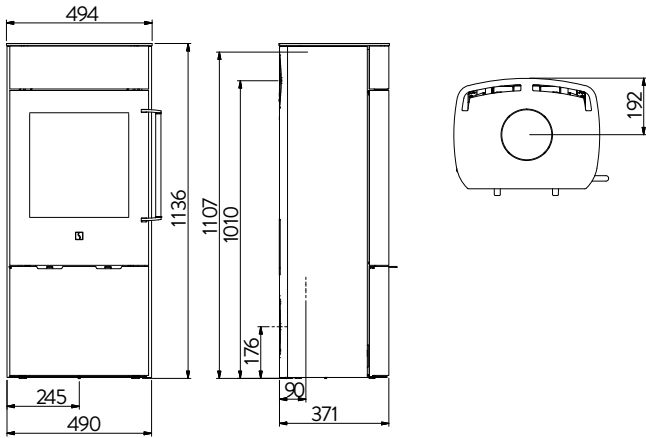
Measurement drawing:

The most standard clearances to  
combustible material are shown in the  
table, in which the measurements are  
referred to as A, B and C.

See [www.scan.dk](http://www.scan.dk) for further information.

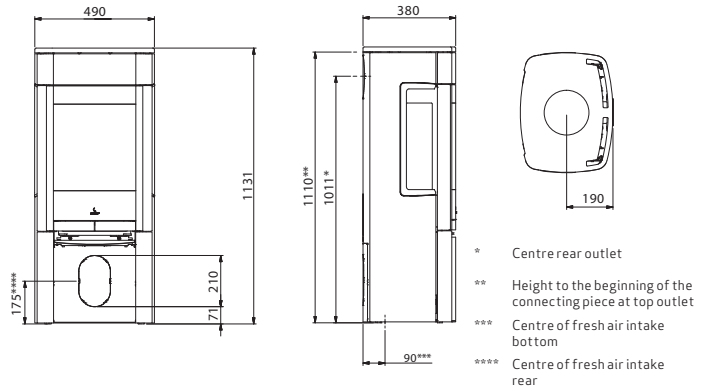
SCAN 41-1

PAGE 6



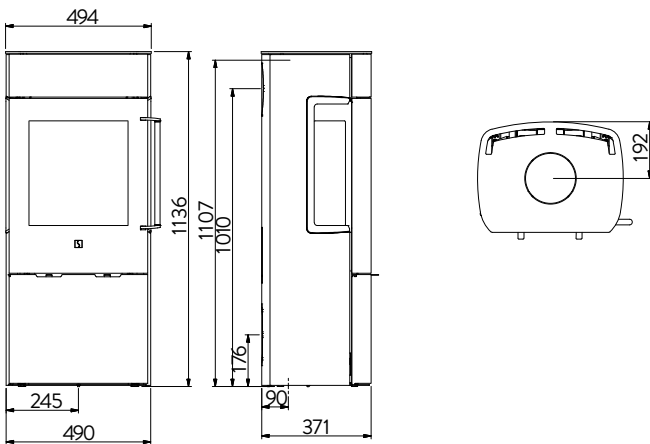
SCAN 65-1/2

PAGE 8



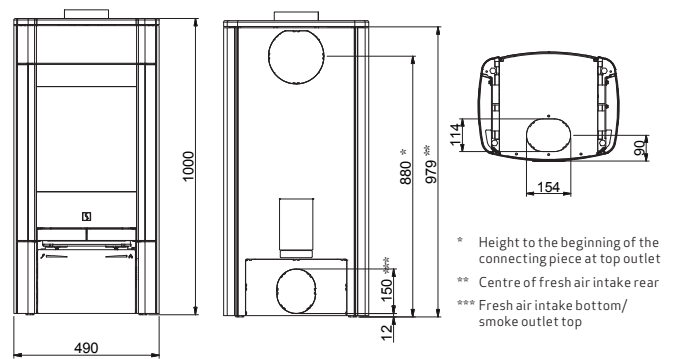
SCAN 41-2

PAGE 6



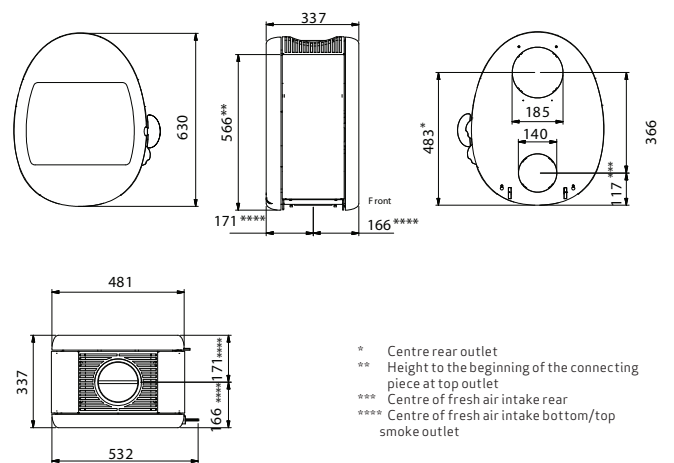
SCAN 65-1/2 LOW BASE

PAGE 8



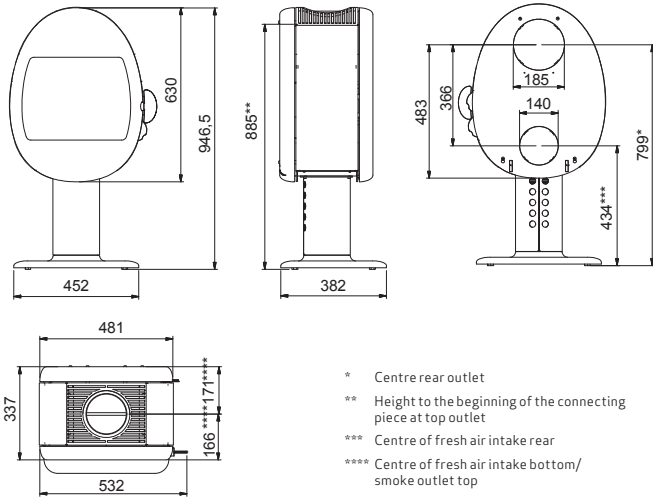
SCAN 66-1

PAGE 10



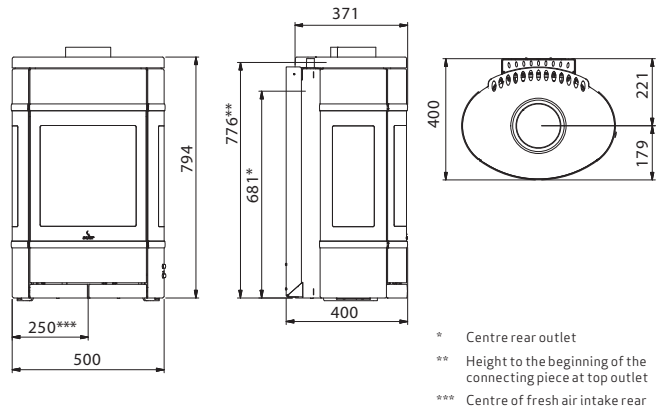
SCAN 66-2

PAGE 10



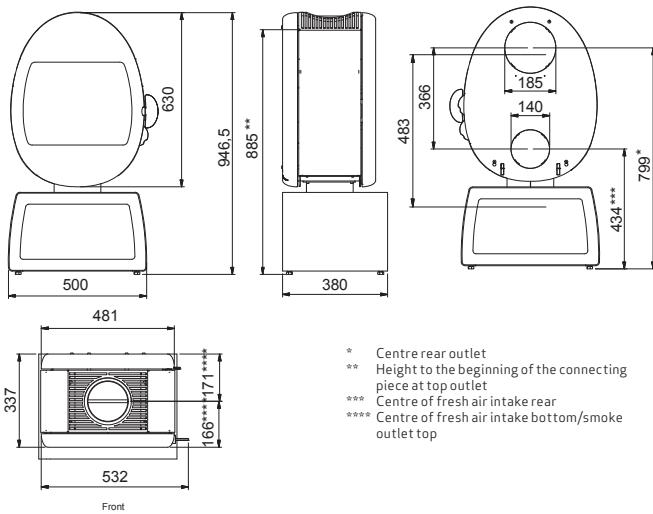
SCAN 68-1/2/7/8

PAGE 12



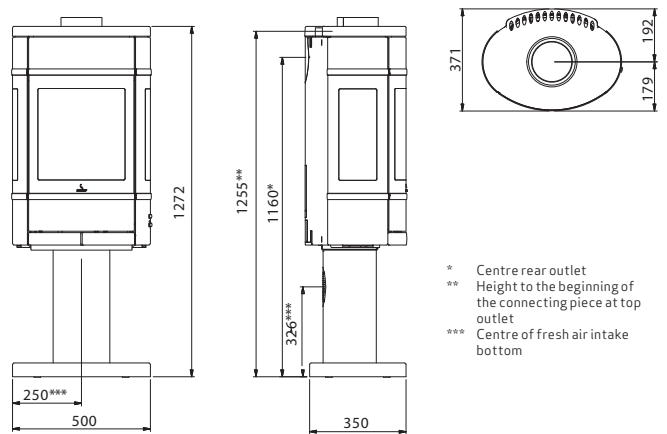
SCAN 66-4

PAGE 10



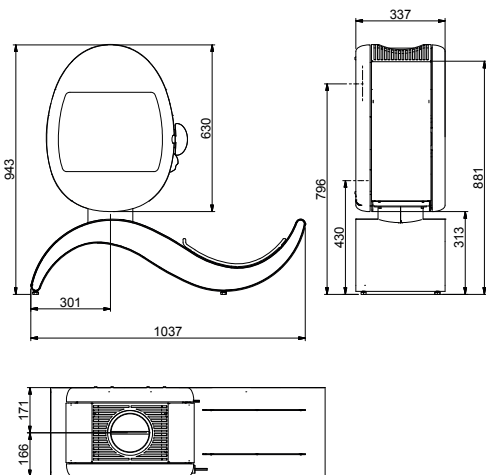
SCAN 68-3/4/9/10

PAGE 12



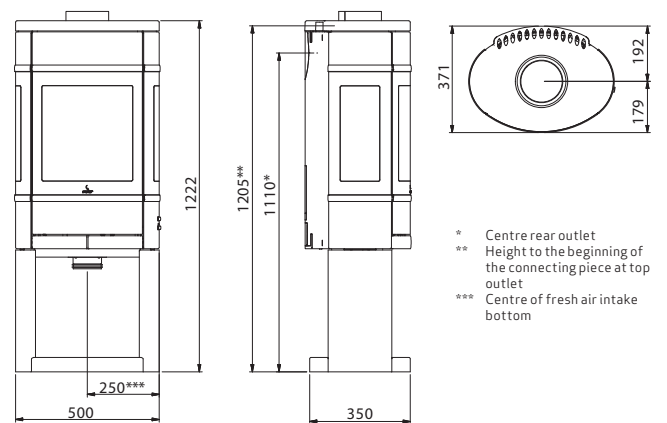
SCAN 66-5

PAGE 10



SCAN 68-5/6/11/12/13/14

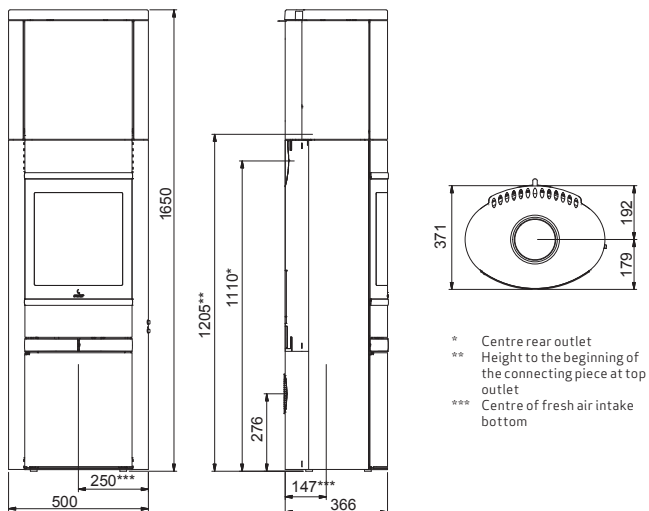
PAGE 12





SCAN 68-13/14 HIGH TOP

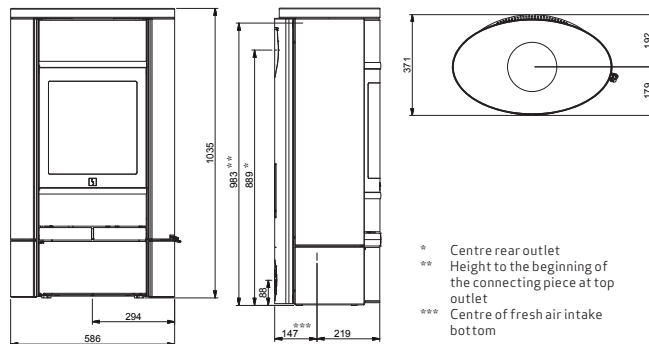
PAGE 12



- \* Centre rear outlet
- \*\* Height to the beginning of the connecting piece at top outlet
- \*\*\* Centre of fresh air intake bottom

SCAN 68-15/16 LOW BASE

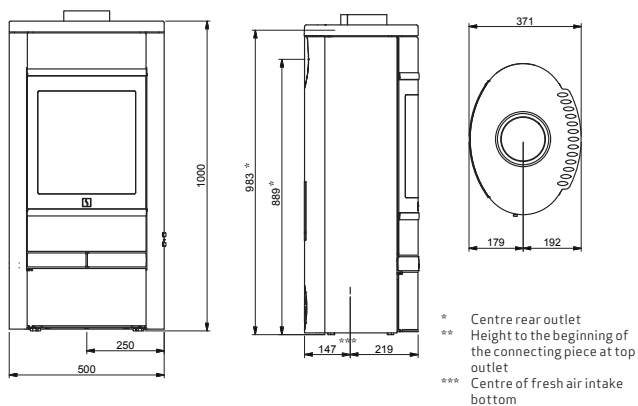
PAGE 12



- \* Centre rear outlet
- \*\* Height to the beginning of the connecting piece at top outlet
- \*\*\* Centre of fresh air intake bottom

SCAN 68-13/14 LOW BASE

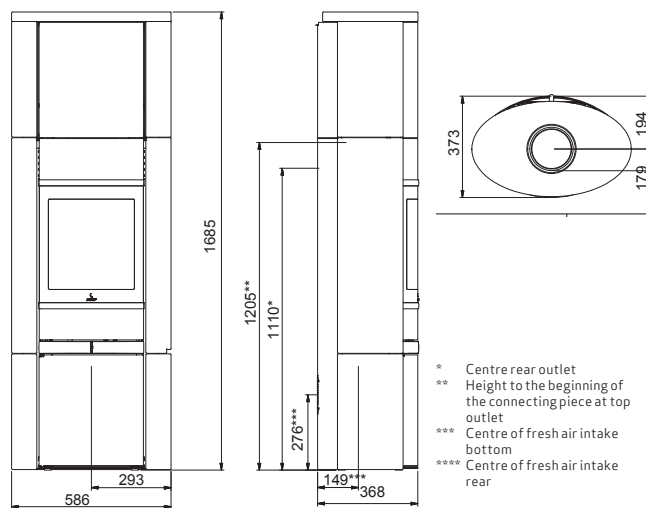
PAGE 12



- \* Centre rear outlet
- \*\* Height to the beginning of the connecting piece at top outlet
- \*\*\* Centre of fresh air intake bottom

SCAN 68-15/16 HIGH TOP

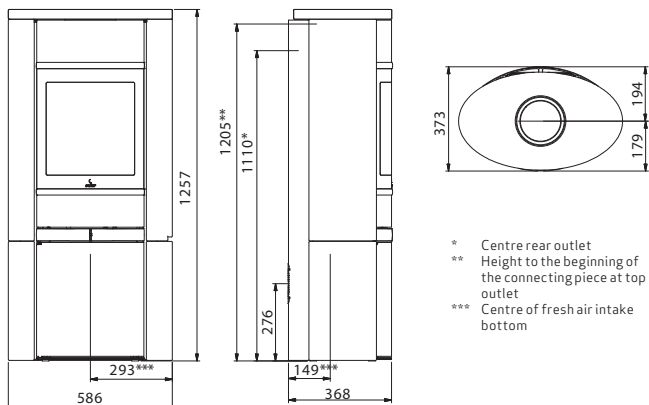
PAGE 12



- \* Centre rear outlet
- \*\* Height to the beginning of the connecting piece at top outlet
- \*\*\* Centre of fresh air intake bottom
- \*\*\*\* Centre of fresh air intake rear

SCAN 68-15/16

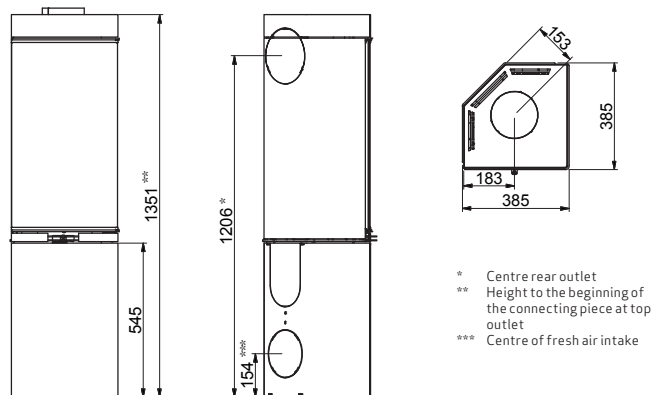
PAGE 12



- \* Centre rear outlet
- \*\* Height to the beginning of the connecting piece at top outlet
- \*\*\* Centre of fresh air intake bottom

SCAN 80-1/2

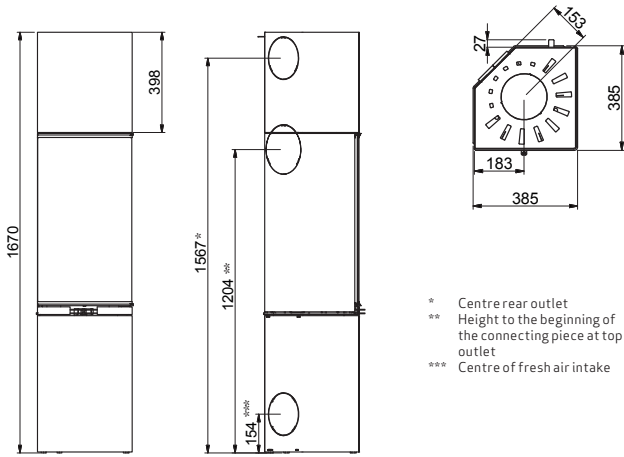
PAGE 16



- \* Centre rear outlet
- \*\* Height to the beginning of the connecting piece at top outlet
- \*\*\* Centre of fresh air intake

SCAN 80-3/4

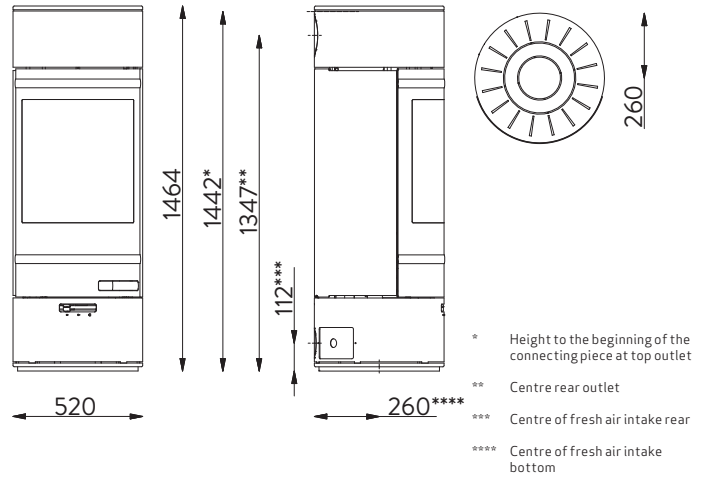
PAGE 16



- \* Centre rear outlet
- \*\* Height to the beginning of the connecting piece at top outlet
- \*\*\* Centre of fresh air intake

SCAN 85-1/2

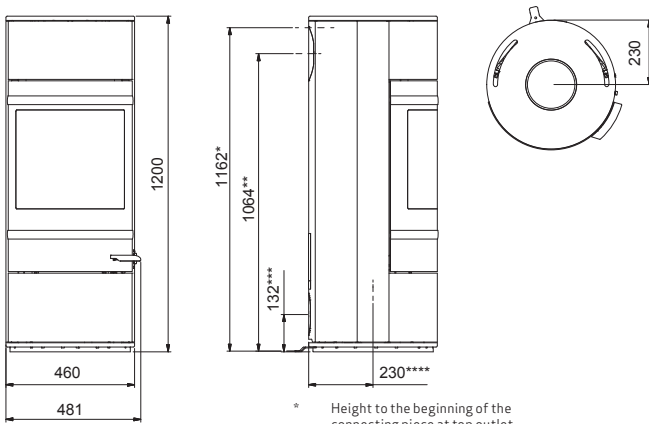
PAGE 22



- \* Height to the beginning of the connecting piece at top outlet
- \*\* Centre rear outlet
- \*\*\* Centre of fresh air intake rear
- \*\*\*\* Centre of fresh air intake bottom

SCAN 83-1/2/5/6

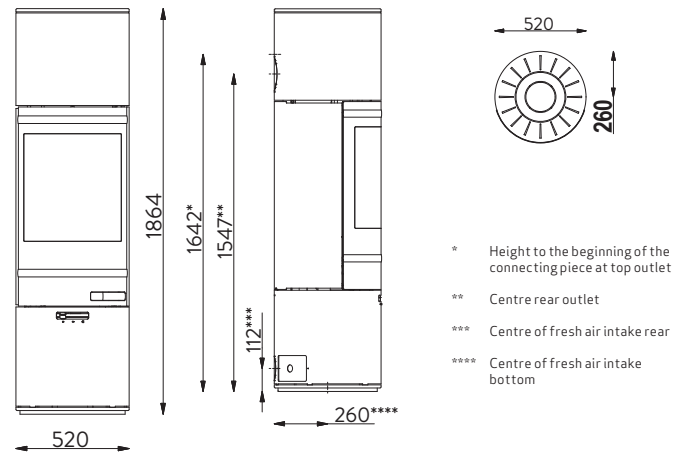
PAGE 18



- \* Height to the beginning of the connecting piece at top outlet
- \*\* Centre rear outlet
- \*\*\* Centre of fresh air intake rear
- \*\*\*\* Centre of fresh air intake bottom

SCAN 85-3/4 MAXI

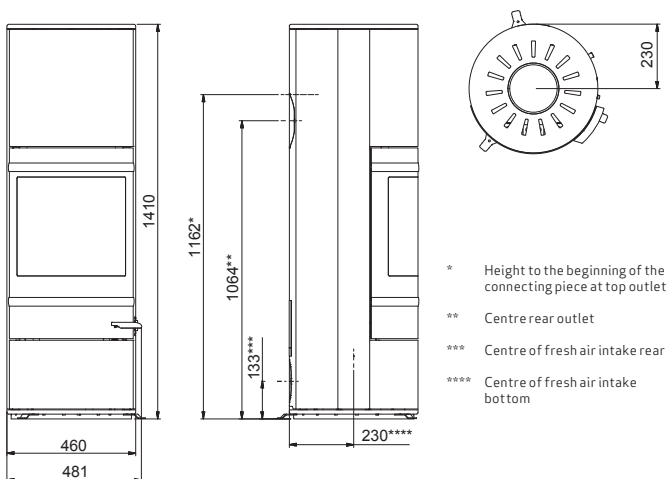
PAGE 22



- \* Height to the beginning of the connecting piece at top outlet
- \*\* Centre rear outlet
- \*\*\* Centre of fresh air intake rear
- \*\*\*\* Centre of fresh air intake bottom

SCAN 83-3/4/7/8 MAXI

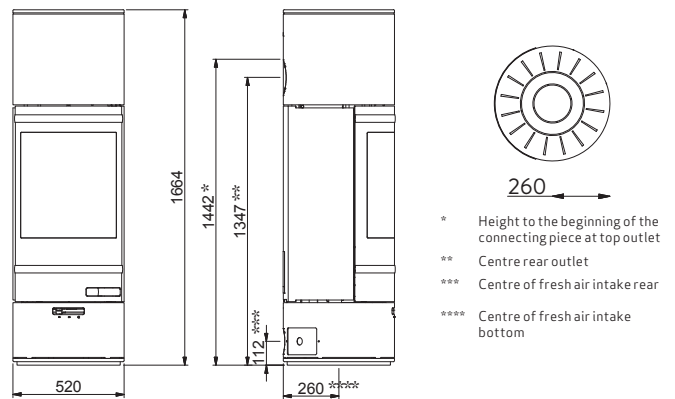
PAGE 18



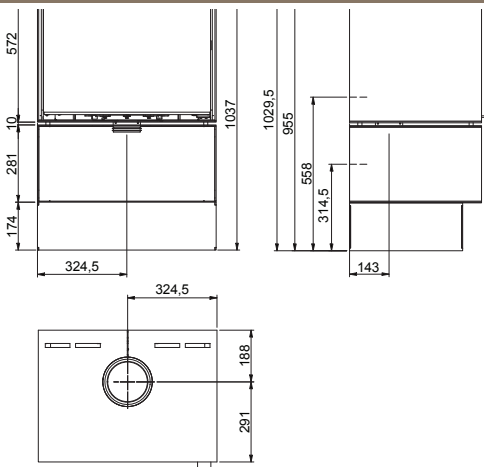
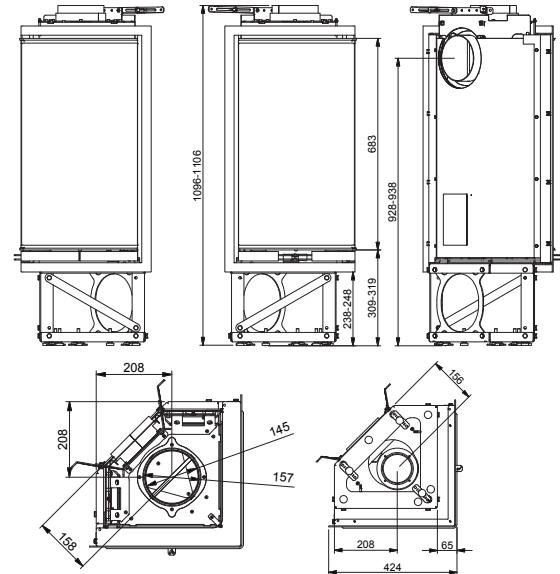
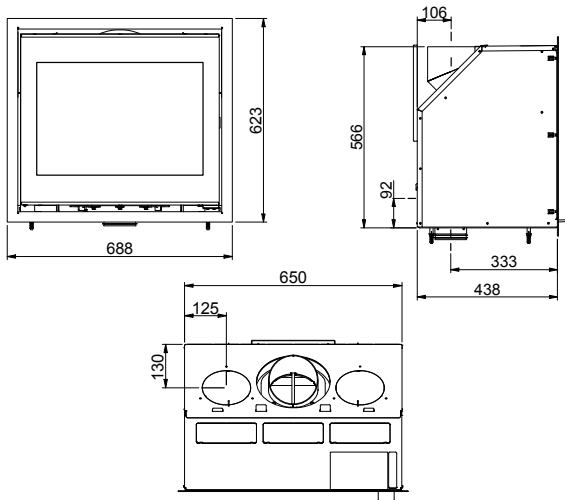
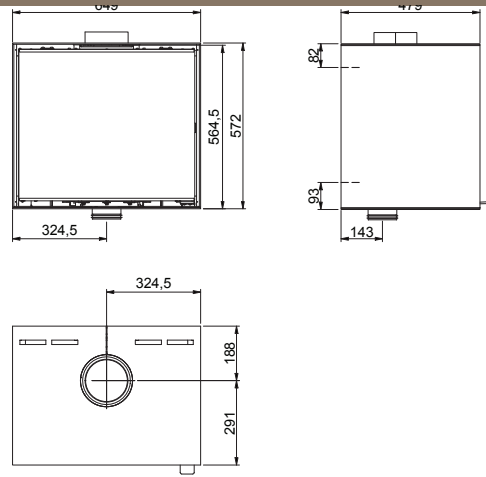
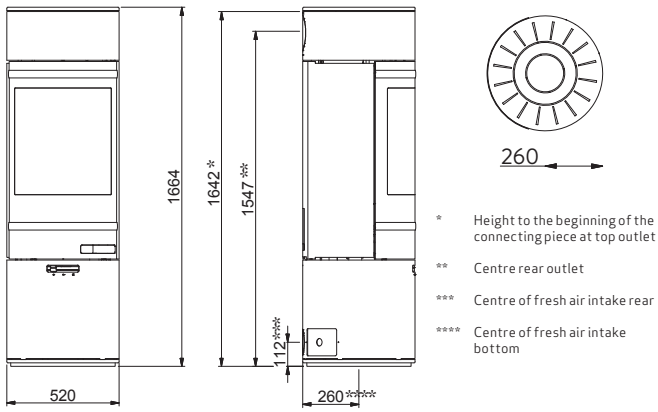
- \* Height to the beginning of the connecting piece at top outlet
- \*\* Centre rear outlet
- \*\*\* Centre of fresh air intake rear
- \*\*\*\* Centre of fresh air intake bottom

SCAN 85-5/6

PAGE 22



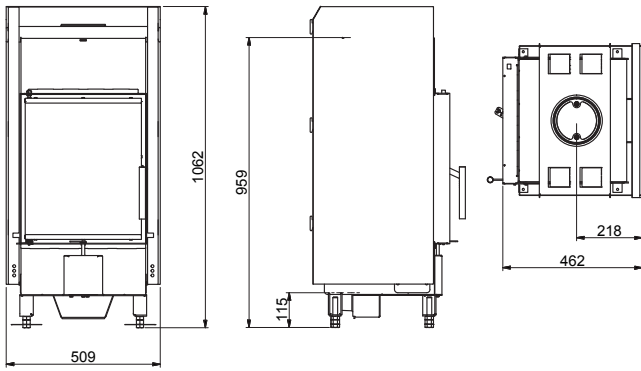
- \* Height to the beginning of the connecting piece at top outlet
- \*\* Centre rear outlet
- \*\*\* Centre of fresh air intake rear
- \*\*\*\* Centre of fresh air intake bottom





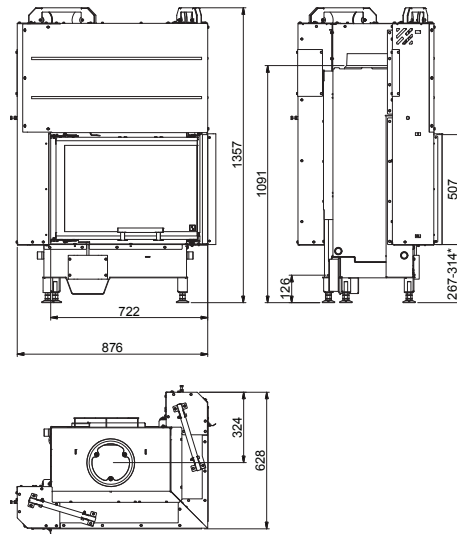
SCAN 5001

PAGE 30



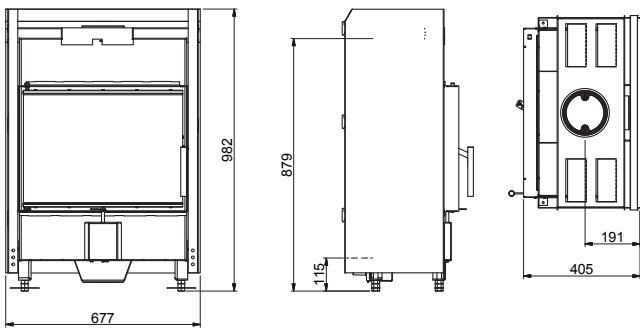
SCAN 5004 FR/FL

PAGE 32



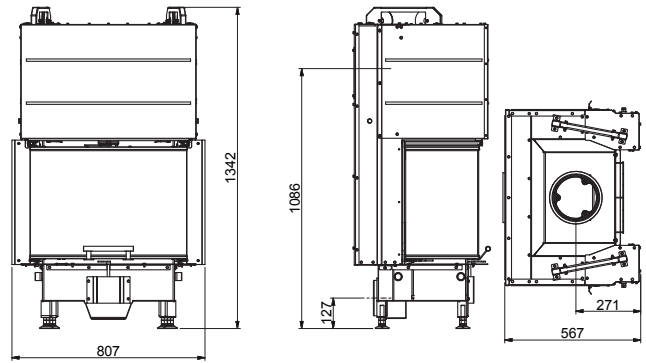
SCAN 5002

PAGE 30



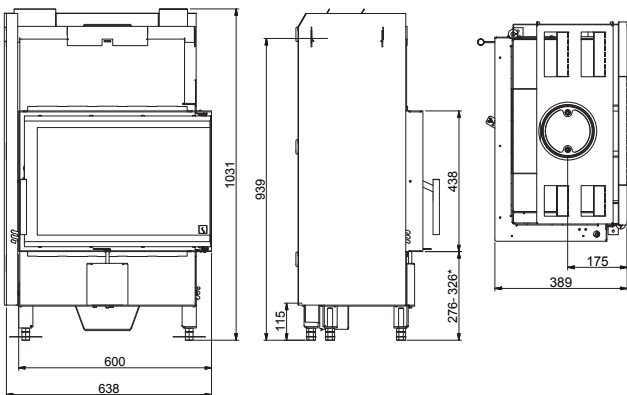
SCAN 5004 FRL

PAGE 32



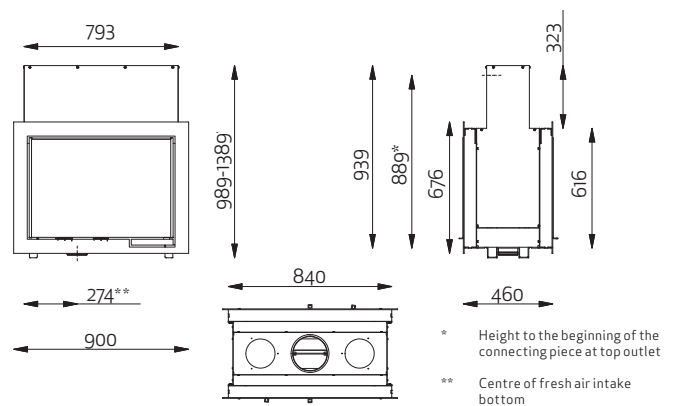
SCAN 5003 FR/FL

PAGE 30



SCAN DSA 12

PAGE 34





For us it is not just about warmth, but about delivering a perfect flame, enclosed in a design-conscious piece of furniture to suit the majority of homes.

Retailer info: