



# Reflex

GAS FIRES



# Ambience beyond expectation

The Reflex fire range couples advanced technology with ultra-lifelike logs to create a gas flame effect almost indistinguishable from a woodburning fire.

Offering the ultimate in gas fire realism, Reflex fires can be selected in portrait, landscape, single and multi-sided versions - with a choice of styling options to suit your home.



**Image:** Reflex 105 Icon XS with EchoFlame Black Glass lining.







Reflex 75T Edge with Ledge-stone-effect lining.  
Shown with the Claremont limestone mantel,  
matching slip set and optional large limestone hearth.

# Peace of Mind

## Quality and Innovation of the Highest Standard

When you choose Gazco, quality and innovation are assured. From traditional models to contemporary designs, we are committed to creating the ultimate flame-effect gas and electric fires. Our research and development laboratories are amongst the most advanced in the world, ensuring that the very latest technologies are incorporated into our appliances.

Gazco is an ISO9001 and ISO14001 accredited company. Our rigorous quality control system ensures that all our appliances are safety checked and that they comply with the appropriate regulations, with all fires in this brochure bearing the CE mark. Similarly, our environmental management systems ensure we work in a sustainable manner, whilst endeavouring to protect the environment by minimising any possible impact from our operations.

With over 30 years of proven experience building quality Gas fires, you can be confident that when you select a Gazco fire, you are getting the best of British design, engineering and manufacturing.



## Five Year Extended Warranty

Your Gazco Expert Retailer will provide you with a Two Year Warranty for your new Reflex gas fire. This can be extended to a Five Year Warranty by registering your fire with Gazco.



Please note, these warranties exclude certain consumable parts. Fires purchased outside of Gazco's Expert Retailer Network will carry a standard one year non-extendable warranty.

Full warranty terms and conditions are available to view at [www.gazco.com](http://www.gazco.com).

## Expert Retailer Network

We take great care to ensure that our fires are designed, tested and manufactured to the highest possible quality and safety standards. We are equally careful to make certain they are sold and installed correctly so you can enjoy years of pleasure from your fire.

Our products are only available from experienced, independent retailers who will be happy to show you a selection of models locally in their showrooms, often fully operational. These independent retailers will discuss your individual requirements both technical (such as sizing the heat output to your room and advising on your flue type) and design, to ensure that you select the most appropriate product for your home.

Our experienced retailers will also be able to advise on, or assist with, the installation process as well as help provide any after-sales support and servicing your appliance may require in the future. Whilst we encourage our retailers to promote fireplace products and their outlets via the internet, we do not believe suitable levels of customer care and satisfaction can be obtained from purchasing the product only online and we would strongly recommend that you consider this when undertaking your research and making a purchasing decision.

Furthermore, please be aware that we do not offer technical support (beyond our statutory responsibilities) to products bought via nationwide online sales, where this support would normally be offered by one of our qualified, independent retailers.

## Find Your Expert Retailer

You can find your nearest expert retailer by visiting: [www.gazco.com/find-a-retailer](http://www.gazco.com/find-a-retailer)





Reflex 75T-2 (right facing fire) with EchoFlame Black Glass lining.

# Choosing your Reflex

Reflex 75T ..... page 12



The versatile 75T suites modern or traditional settings alike, with a wide range of contemporary frames and classical stone mantel options. Conventional or balanced flue versions ensure this fire can be installed with or without a chimney.



*Square single sided fires*

Reflex 105 ..... page 28



Nothing compares to inspiring presence of the landscape 105. The fire's expansive flame view can be enhanced with a range of stylish lining and surround possibilities to suit your tastes. Choose from conventional or balanced flue fires.



*Landscape single sided fires*

Reflex 75T Multi-sided .....page 36



Granting a panoramic view of the stunning flames, balanced flue Reflex multi-sided fires let you create a bespoke two-sided or three-sided fireplace. Flames can be viewed from different angles, creating a unique focal point in your home.



*Left facing fire*



*Three sided fire*



*Right facing fire*

# Enchanting Effects

Three dynamic features create captivating flame visuals with extraordinary levels of realism.



## Stunning Flames

The very heart of the Reflex's design, the flame visuals have been meticulously crafted to mimic a real woodburning fire. Featuring three carefully positioned dual burners, flames dance and flow amongst the logs and can be set to either front only or front and rear flames, with either setting independently adjustable and infinitely variable. Whether you're in the mood for a lazy fire or a dramatic blaze, you choose the atmosphere you desire. Ensuring a crystal-clear flame view, all Reflex fires feature non-reflective glass for a flawless, open-fire aesthetic.

## Ultra-realistic Log-effects

The natural beauty of burning wood logs is one of the most charming elements of a wood fire. Expert crafting techniques combined with cutting-edge technology make the Reflex log-effect indiscernible from natural logs – ensuring every minute detail of the wood's texture and grain is captured. Concealing the innovative dual burner system, this ultra-realistic fuel bed ensures an eye-catching centrepiece.

## EmberLight LED Bed

Encouraging intimate conversation and quiet reflection, a glowing hearth bathes the room in relaxing ambience and soft glow. The Reflex's innovative EmberLight bed combines adjustable LED lighting with glass ember-effects, creating an immersive display which can be experienced with or without the flames - letting you enjoy the Reflex's glow all year round.



## Reflex Key Features

- Adjustable LED lighting effects
- Non-reflective glass for a crystal-clear flame view
- Various frame and lining options
- Optional smart phone or tablet control
- EcoFlex gas saving mode
- Natural Gas or LPG
- Conventional or balanced flue fires\*
- Harmony<sup>10</sup> Programmable Thermostatic Remote Control



## See Reflex fires burning

The Reflex's spectacular flame visuals are impossible to capture in a still image. To truly experience this stunning fire range, view the Reflex video on our website.



\*Balanced flue models deliver convected airflow back into the room via the enclosure into which the fire is built. Air vents are required at the top and bottom of the enclosure on both sides. Please see page 45 for more information.

# Complete Control

Putting the Reflex's array of features at your fingertips, the effortless control system lets you create your desired ambience in blissful harmony.



## Harmony<sup>10</sup> Control System

Gazco's Harmony<sup>10</sup> control system lets you ignite, extinguish or adjust the height and heat of both the front and rear flame. You can also adjust the brightness of the ambient EmberLight LED fuel bed.

Giving you complete control over the Reflex's advanced features, the handset lets you maintain your chosen room temperature or program the fire to a daily or weekly schedule to fit your lifestyle. You can also adjust the Reflex's EcoFlex gas saving mode, which modulates flame height by almost imperceptible degrees, lowering gas usage whilst maintaining the natural rise and fall of a real wood fire.

- Ignite/extinguish flames
- Front and rear flame control
- Thermostatic Programmable Control
- Daily / Weekly programmable schedule
- EcoFlex gas saving mode
- EmberLight LED bed (with or without flames)

## HARMONY<sup>10</sup>

CONTROL SYSTEM



Reflex 75T Edge with Fluted Vermiculite lining.  
Shown with Claremont limestone mantel, and matching slip set.

## Reflex Myfire App Control

Reflex fires can be selected with optional Wi-Fi connectivity, which lets you use the Myfire app to control your fire from your smart phone or tablet device.

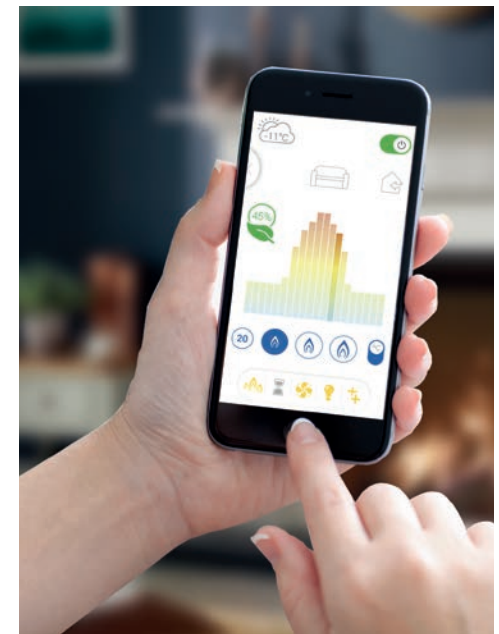
In addition to offering all of the features of the Harmony<sup>10</sup> handset, including easy flame and LED lighting control as well as programmable and thermostatic modes, this innovative app provides even greater control over your Reflex fire.

### EcoFlex Gas Saving

The Myfire app lets you fine tune the Reflex's EcoFlex gas saving mode, letting you switch between low medium and high settings that save 45%, 25% or 10% gas depending on your choice. You can also select the length of the EcoFlex cycle, with 15, 20 or 25 minute durations allowing you to choose the rhythm of the flames.

### Unique Flame Profiles

For increased convenience, the Reflex app lets you save your fire's settings in up to four different profiles. Create profiles for different seasons or even just to suit your mood. Should you have more than one Reflex fire in your home, you can also use the Myfire profiles to control each fire from a single tablet or smart phone.





Reflex 75T Edge with Black Reeded lining. Shown with Sandringham limestone mantel, matching slip set and small hearth.

# Styling your 75T to Suit

With a wealth of styling options to choose from, the Reflex lets you tailor your fire to your home

## Surround Options

The Reflex 75T is ready for a frameless hole-in-the-wall, 'Edge' installation, but can be enhanced with any one of the distinctive frames for further styling possibilities. Reflex frames range from luxurious glass to sophisticated steel in a variety of designs and styles.

As well as the contemporary frame choices, the Reflex can also be combined with a number of elegant stone mantels, allowing you to create a beautiful, traditional fireplace with all the benefits of a cutting-edge gas fire.



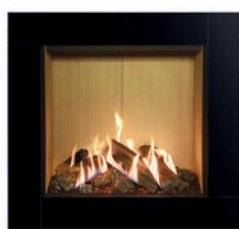
Edge (frameless)

Evoke Steel

Evoke Glass



Verve XS



Icon XS



Stone Mantels

## Key Details

	Conventional Flue	Balanced Flue
Maximum Heat Output	8.0kW	8.3kW
Efficiency	Up to 76%	Up to 92%
Energy Efficiency Class	D	A

## Lining Options

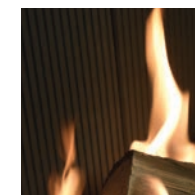
Creating a backdrop to the stunning flames, the Reflex's lining options let you choose the style of your fire and the atmosphere it will create.



EchoFlame Black Glass



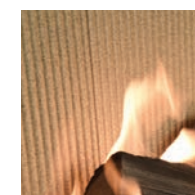
LedgeStone-effect



Black Reeded



Brick-effect



Fluted Vermiculite

Each lining option offers an entirely different aesthetic. From the depth-enhancing EchoFlame Black Glass to the natural LedgeStone-effect; you can easily create a contemporary or traditional fireplace to suit your décor.

# Reflex 75T Edge

For pure, effortless style, the Reflex 75T can be installed as the frameless Edge. Seamlessly integrating with your interior, the stunning flame visuals and lifelike logs take centre stage.



## Dimensions <sup>Δ</sup>

Width - 797mm

Height - 711mm

## Heat Output and Efficiency

See page 13

## Stone Mantels

See pages 24-27



<sup>Δ</sup> Dimensions given are those overall visible upon installation.



Experience  
the Reflex

[gazco.com/reflex](https://gazco.com/reflex)







# Reflex 75T Evoke Steel

Prominence and definition make the Evoke Steel a natural choice for creating additional presence.

## Frame Dimensions

Width - 1117mm  
Height - 1034mm  
Depth - 42mm

## Front & Rear Finish

Graphite

## Heat Output and Efficiency

See page 13



Experience  
the Reflex

[gazco.com/reflex](https://gazco.com/reflex)

Reflex 75T Evoke Steel in Graphite with EchoFlame Black Glass lining.

Reflex 75T

# Evoke Glass

The contemporary Evoke Glass frame layers different materials to create a sophisticated, eye-catching surround. Choose from a White or Black glass front with a Graphite rear.



## Frames Dimensions

Width - 1117mm  
Height - 1034mm  
Depth - 42mm

## Front Finishes

Black Glass  
White Glass

## Rear Finish

Graphite

## Heat Output and Efficiency

See page 13

 Experience the Reflex  
[gazco.com/reflex](https://gazco.com/reflex)



Reflex 75T Evoke Glass with Black Glass front, Graphite rear and Black Reeded lining.



Reflex 75T Icon XS with Fluted Vermiculite lining.

# Reflex 75T Icon XS

The Icon XS frame adds a luxurious, contemporary finish, surrounding the fire with highly reflective black glass. Contrasting starkly with the glow of the flames, this frame choice enhances any interior with its chic, minimalist styling.

## Frame Dimensions

Width - 1089mm

Height - 1015mm

Depth - 17mm

## Finish

Black Glass

## Heat Output and Efficiency

See page 13



Experience  
the Reflex

[gazco.com/reflex](http://gazco.com/reflex)



Reflex 75T Icon XS with LedgeStone-effect lining.

# Reflex 75T Verve XS

A contemporary frame choice with unmistakable flair, the Reflex 75T Verve XS makes a statement wherever it is installed. Featuring a subtly curving exterior finished in Graphite, this designer frame adds further impact to the Reflex's stunning flame visuals.



## Frame Dimensions

Width - 1202mm  
Height - 1005mm  
Depth - 57mm

## Finish

Graphite

## Heat Output and Efficiency

See page 13





Reflex 75T Verve XS in Graphite with Black Reeded Lining.



 Experience  
the Reflex  
[gazco.com/reflex](http://gazco.com/reflex)





Reflex 75T

# Stone Mantels

The versatile Reflex 75T Edge can be combined with any one of Gazco's six stone mantels, matching slip sets and optional hearths for a traditional fireplace aesthetic. Choose from either Limestone or Antique White Marble for an elegant and inspiring centrepiece.



Victorian Corbel (page 27)



Claremont (pages 11, 24 & 41)



Georgian Roundel



Sandringham (page 12)



Cavendish Bolection (page 26)



Grafton

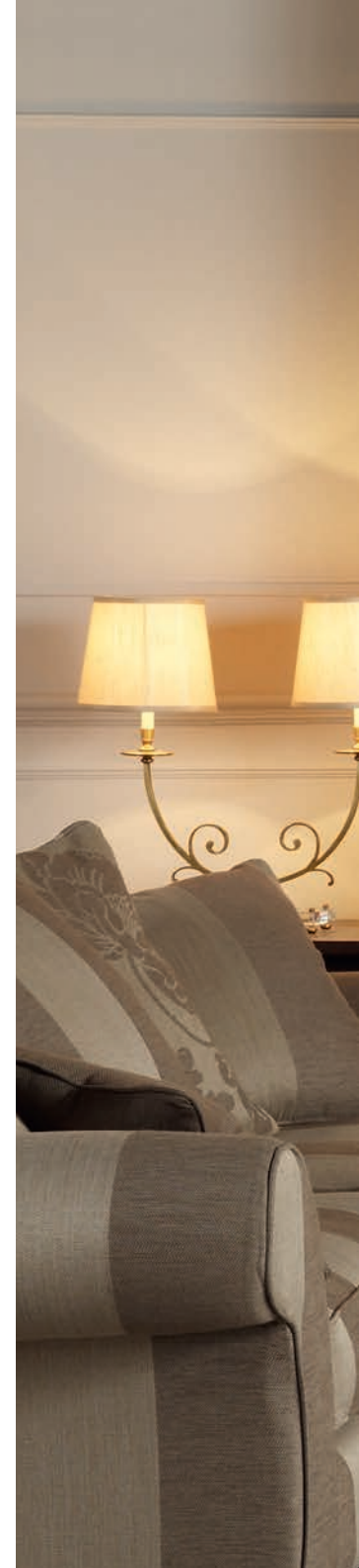
All mantels are shown with matching slip sets and optional hearths. See page 41 for more information.

Continued overleaf...

Reflex 75T

# Stone Mantels (continued)

Gazco's collection of high-quality limestone and antique white marble mantels enhance the Reflex 75T Edge with their beautiful and natural features. Each piece is truly unique, with naturally occurring veining, subtle tonal differences and even small fossils present in the limestone.



Reflex 75T Edge with Ledge-stone-effect lining. Shown with Cavendish Bolection limestone mantel and matching slip set. Top right: Victorian Corbel antique white marble mantel detail. Bottom Right: Sandringham natural limestone mantel detail.



 Experience  
the Reflex  
[gazco.com/reflex](https://gazco.com/reflex)

Reflex 75T Edge with EchoFlame Black Glass lining. Shown with the Victorian Corbel limestone mantel, matching slip set



Reflex 105 Icon XS with EchoFlame Black Glass lining.

# Tailoring your 105 to your interior

A suite of styling possibilities lets you personalise your fire to your specifications

## Frames and surrounds

The Reflex 105 is designed as an Edge fire, for a hole-in-the-wall installation that seamlessly integrates with your interior.

For added presence, various surround options transform and enhance the 105's landscape proportions. The Icon XS adds a shimmering black glass frame, whilst the two luxurious stone Sorrento surrounds offer a striking yet minimalist take on the fireside.



Edge (frameless)



Icon XS



Sorrento - Graphite Granite



Sorrento - Limestone

## Key Details

	Conventional Flue	Balanced Flue
Maximum Heat Output	9.5kW	10.2kW
Efficiency	Up to 76%	Up to 92%
Energy Efficiency Class	D	A

## Lining Options

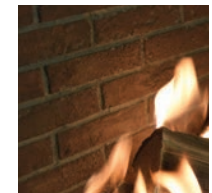
Three lining choices let you set the stage for the 105's spectacular flame visuals. Ledgestone and Brick-effect linings offer a classical backdrop that offsets the fire's modern looks. The striking EchoFlame Black Glass reflects the flames on all sides for a deeper picture.



EchoFlame Black Glass



Ledgestone-effect



Brick-effect

Reflex 105

# Edge

Surrounded only by your interior décor, the 105 Edge provides the ultimate in contemporary fireside ambience, with nothing but the expansive flame picture on show.



## Dimensions <sup>Δ</sup>

Width - 1134mm

Height - 552mm

## Heat Output and Efficiency

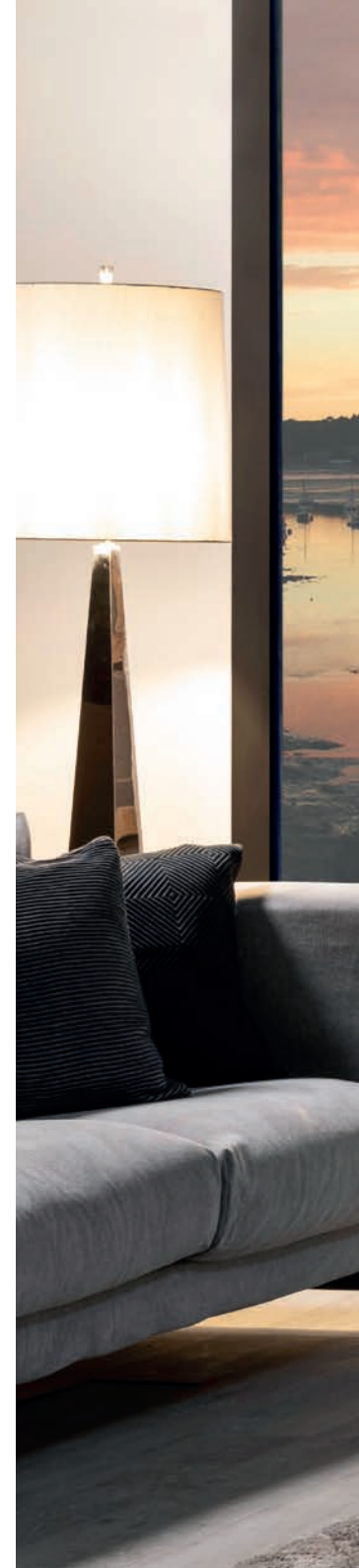
See page 42

<sup>Δ</sup> Dimensions given are those overall  
visible upon installation.



Experience  
the Reflex

[gazco.com/reflex](http://gazco.com/reflex)











Reflex 105

# Icon XS

Composed of four pieces of geometrically positioned black glass, this designer frame adds enhanced definition to the 105's stunning flame picture.

## Frame Dimensions

Width - 1443mm

Height - 861mm

Depth - 24mm

## Heat Output and Efficiency

See page 42



Experience  
the Reflex

[gazco.com/reflex](http://gazco.com/reflex)

Reflex 105 Icon XS with Brick-effect lining. See back cover for additional image.

Reflex 105

# Sorrento

Presenting contemporary style with a nod to classic fireside aesthetics, the Sorrento stone options offer a modern take on traditional mantel designs. Clean lines and minimal detailing emphasise the natural stone, which is available in Graphite Granite or Limestone.



## Surround Dimensions

Width - 1530mm

Height - 801mm

Depth - 200mm

## Heat Output and Efficiency

See page 42



Experience  
the Reflex

[gazco.com/reflex](https://gazco.com/reflex)





Reflex 75T-2 (right facing fire) with EchoFlame Black Glass lining.

# Reflex 75T Multi-sided Fires

Reflex two-sided and three-sided fires grant an unparalleled view of the stunning flame visuals, which can be viewed from almost anywhere in the room.

## Corner or Three-sided Options

These elegantly contemporary fires allow for a beautifully bespoke fireplace, whether positioned centrally or in the corner of the room. The two-sided 75T-2 is designed for corner installations and can be selected in either right or left corner versions to suit your home. The 75T-3's panoramic display offers stunning views from any angle, with three sides showing the deep log composition and dancing flames.

## Lining Options

Both the 75T-2 and 75T-3 can be customised with three different lining options. Each add a stunningly different aesthetic to the fire. EchoFlame Black Glass enhances visuals by reflecting the flames and deepening the view. For a more classical look, the Ledge-stone-effect and Brick-effect linings offer an elegant backdrop to the rolling flames.



EchoFlame Black Glass



Brick-effect



Ledge-stone-effect

## Key Details

Maximum Heat Output	8.7kW
Efficiency	Up to 92%
Energy Efficiency Class	A
Flue Type	Balanced Flue



Reflex 75T-3 (three-sided fire)  
with EchoFlame Black Glass lining.

Reflex 75T

# Multi-sided Fires

Whether you select the 75T-2 for a left or right corner fire or the 75T-3 for an eye-catching three-sided fire, these multi-sided models create a designer fireplace that will become the heart of your home.



## Dimensions

Width - 900mm  
Height - 705mm  
Depth - 280mm

## Max. Heat Output

8.7kW

## Efficiency

92%

## Efficiency Class

A

 Experience  
the Reflex  
[gazco.com/reflex](https://gazco.com/reflex)













Reflex 75T-3 (three-sided fire)  
with EchoFlame Black Glass lining.




# Technical Information

## REFLEX 75T FIRE INFORMATION

Product Code	Flue Type	Gas Type	Heat Input	Heat Output	Energy Efficiency Class	Efficiency	Lining
191-029	Conventional flue	Nat. Gas	11.5kW	7.9kW	D	76%	Black Reeded
191-412	Conventional flue	LPG	11.5kW	8.0kW	D	76%	Black Reeded
191-033	Conventional flue	Nat. Gas	11.5kW	7.9kW	D	76%	Fluted Vermiculite
191-424	Conventional flue	LPG	11.5kW	8.0kW	D	76%	Fluted Vermiculite
191-045	Conventional flue	Nat. Gas	11.5kW	7.9kW	D	76%	Brick-effect
191-435	Conventional flue	LPG	11.5kW	8.0kW	D	76%	Brick-effect
191-062	Conventional flue	Nat. Gas	11.5kW	7.9kW	D	76%	Black Glass
191-459	Conventional flue	LPG	11.5kW	8.0kW	D	76%	Black Glass
191-051	Conventional flue	Nat. Gas	11.5kW	7.9kW	D	76%	Ledgestone-effect
191-448	Conventional flue	LPG	11.5kW	8.0kW	D	76%	Ledgestone-effect

 191-082	Balanced flue	Nat. Gas	10.0kW	8.3kW	A	92%	Black Reeded
 191-471	Balanced flue	LPG	9.8kW	8.3kW	A	92%	Black Reeded
 191-094	Balanced flue	Nat. Gas	10.0kW	8.3kW	A	92%	Fluted Vermiculite
 191-487	Balanced flue	LPG	9.8kW	8.3kW	A	92%	Fluted Vermiculite
 191-106	Balanced flue	Nat. Gas	10.0kW	8.3kW	A	92%	Brick-effect
 191-490	Balanced flue	LPG	9.8kW	8.3kW	A	92%	Brick-effect
 191-127	Balanced flue	Nat. Gas	10.0kW	8.3kW	A	92%	Black Glass
 191-528	Balanced flue	LPG	9.8kW	8.3kW	A	92%	Black Glass
 191-111	Balanced flue	Nat. Gas	10.0kW	8.3kW	A	92%	Ledgestone-effect
 191-512	Balanced flue	LPG	9.8kW	8.3kW	A	92%	Ledgestone-effect

 All fires shown with the symbol opposite have the advantage of not normally requiring an air vent\* where the air permeability is greater than 5.0m<sup>3</sup>/hr/m<sup>2</sup>. See page 45 for more details.

\*Requirements in the Republic of Ireland are different.

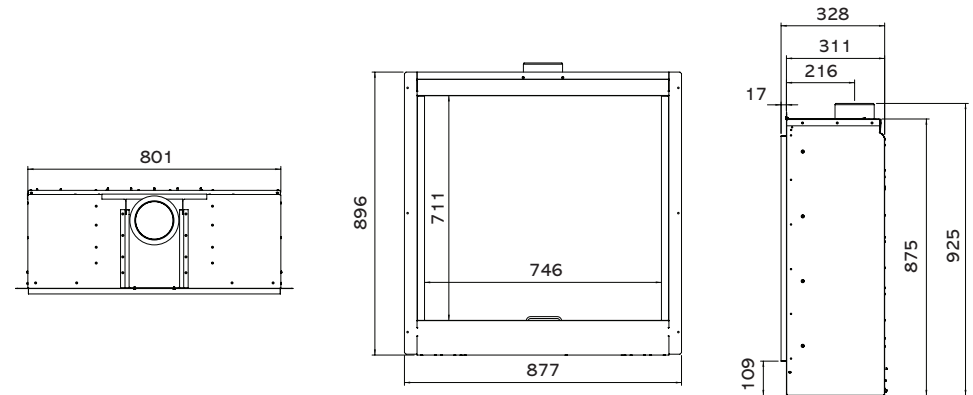
## REFLEX 75T ACCESSORIES

Product Code	Description
991-021	Black Reeded Lining Set - 75T Conventional Flue
991-044	Fluted Vermiculite Lining Set - 75T Conventional Flue
991-005	Brick-effect Lining Set - 75T Conventional Flue
991-076	Black Glass Lining Set - 75T Conventional Flue
991-138	Ledgestone-effect Lining Set - 75T Conventional Flue
934-037	Black Reeded Lining Set - 75T Balanced Flue
934-062	Fluted Vermiculite Lining Set - 75T Balanced Flue
934-077	Brick-effect Lining Set - 75T Balanced Flue
934-091	Black Glass Lining Set - 75T Balanced Flue
934-086	Ledgestone-effect Lining Set - 75T Balanced Flue
999-055	Wi-Fi Control Kit (suitable for new fires at time of purchase)

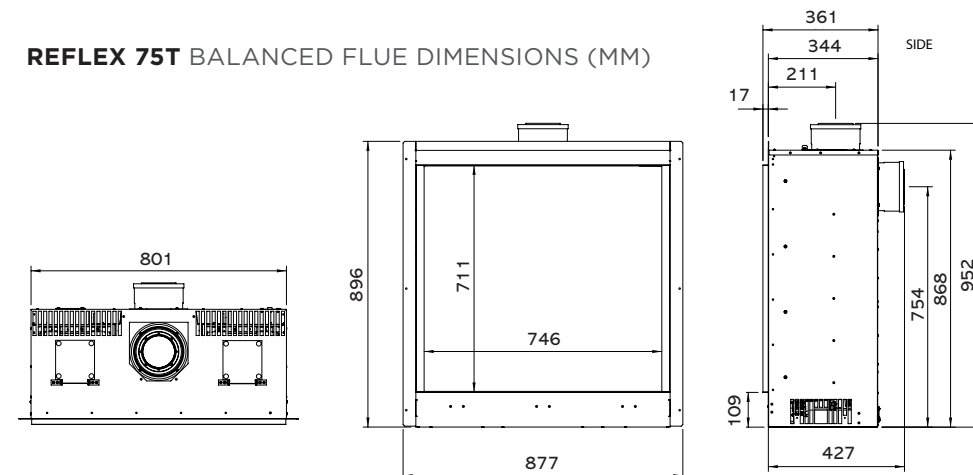
## REFLEX 75T FRAME OPTIONS

Product Code	Description	Frame Finish	Frame Size (mm)		
			w	h	d
934-213	Verve XS	Graphite	1202	1005	57
934-245	Evoke Glass	Black Glass front & Graphite rear	1117	1034	42
934-264	Evoke Glass	White Glass front & Graphite rear	1117	1034	42
934-281	Evoke Steel	Graphite front & rear	1117	1034	42
934-371	Icon XS	Black Glass	1089	1015	17

## REFLEX 75T CONVENTIONAL FLUE DIMENSIONS (MM)



## REFLEX 75T BALANCED FLUE DIMENSIONS (MM)



The information on this page is to assist you in your choice of a suitable Gazco fire. This is not intended to be all the information required to install your fire. This can be obtained from your local Gazco retailer or you can download the full installation instructions from the Gazco website at [www.gazco.com](http://www.gazco.com).





Reflex 75T Edge with Brick-effect lining. Shown with the Claremont limestone mantel and matching slip set

### REFLEX 75T STONE MANTEL INFORMATION

Product Code	Description	Frame Finish	w	h	d
9002CLWM	Claremont (requires slip set)	Antique White Marble	1555	1143	190
9002CLTL	Claremont (requires slip set)	Limestone	1555	1143	190
9000CAWM	Cavendish Bolection (requires slip set)	Antique White Marble	1460	1320	207
9000CATL	Cavendish Bolection (requires slip set)	Limestone	1460	1320	207
9001GEWM	Georgian Roundel (requires slip set)	Antique White Marble	1460	1082	200
9001GETL	Georgian Roundel (requires slip set)	Limestone	1460	1082	200
9003GRWM	Grafton (requires slip set)	Antique White Marble	1415	1165	105
9003GRTL	Grafton (requires slip set)	Limestone	1415	1165	105
9004VIWM	Victorian Corbel (requires slip set)	Antique White Marble	1525	1170	250
9004VITL	Victorian Corbel (requires slip set)	Limestone	1525	1170	250
9005SAWM	Sandringham (requires slip set)	Antique White Marble	1550	1220	227
9005SATL	Sandringham (requires slip set)	Limestone	1550	1220	227

### REFLEX 75T SLIP SETS INFORMATION

Slip sets are required to install the Reflex 75T with any of Gazco's six stone mantels.

934-790	Slip set for Reflex 75T Stone Mantel	Antique White Marble	N/A	N/A	N/A
934-121	Slip set for Reflex 75T Stone Mantel	Limestone	N/A	N/A	N/A

### REFLEX 75T HEARTH INFORMATION

934-241	Small Hearth for Stone Mantel	Antique White Marble	1524	53	228
934-193	Small Hearth for Stone Mantel	Limestone	1524	53	228
934-489	Large Hearth for Stone Mantel	Antique White Marble	1625	53	457
934-351	Large Hearth for Stone Mantel	Limestone	1625	53	457

### SMALL & LARGE STONE HEARTHES



Small Hearth









Large Hearth


Gazco's selection of beautiful stone hearths include either small or large sizes in both Antique White Marble and Limestone options. The large size is styled with a stepped edge design whilst the small has a flush finish.

# Technical Information

## REFLEX 105 FIRE INFORMATION

Product Code	Flue Type	Gas Type	Heat Input	Heat Output	Energy Efficiency Class	Efficiency	Lining
191-168	Conventional flue	Nat. Gas	13.9kW	9.5kW	D	76%	Brick-effect
191-636	Conventional flue	LPG	13.4W	9.4kW	D	76%	Brick-effect
191-182	Conventional flue	Nat. Gas	13.9kW	9.5kW	D	76%	Black Glass
191-659	Conventional flue	LPG	13.4kW	9.4kW	D	76%	Black Glass
191-177	Conventional flue	Nat. Gas	13.9kW	9.5kW	D	76%	Ledgestone-effect
191-643	Conventional flue	LPG	13.4kW	9.4kW	D	76%	Ledgestone-effect

 191-223	Balanced flue	Nat. Gas	12.0kW	9.9kW	A	92%	Brick-effect
 191-745 ^	Balanced flue	LPG	12.0kW	10.2kW	A	92%	Brick-effect
 191-245	Balanced flue	Nat. Gas	12.0kW	9.9kW	A	92%	Black Glass
 191-776 ^	Balanced flue	LPG	12.0kW	10.2kW	A	92%	Black Glass
 191-236	Balanced flue	Nat. Gas	12.0kW	9.9kW	A	92%	Ledgestone-effect
 191-760 ^	Balanced flue	LPG	12.0kW	10.2kW	A	92%	Ledgestone-effect

 All fires shown with the symbol opposite have the advantage of not normally requiring an air vent\* where the air permeability is greater than 5.0m<sup>3</sup>/hr/m<sup>2</sup>. See page 45 for more details.

\* Requirements in the Republic of Ireland are different.

^ Requires 8" flue system.

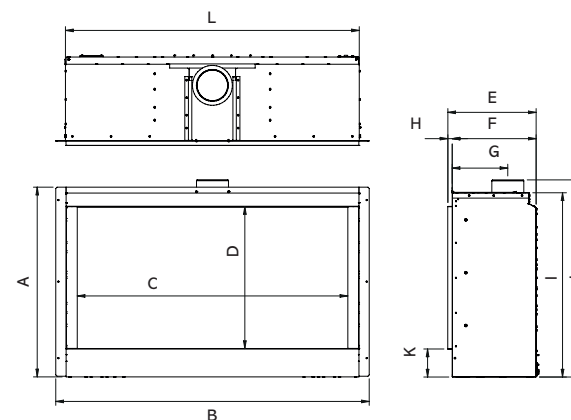
## REFLEX 105 ACCESSORIES

Product Code	Description
991-351	Brick-effect Lining Set - 105 Conventional Flue
991-393	Black Glass Lining Set - 105 Conventional Flue
991-364	Ledgestone-effect Lining Set - 105 Conventional Flue
991-447	Brick-effect Lining Set - 105 Balanced Flue
191-495	Black Glass Lining Set - 105 Balanced Flue
991-461	Ledgestone-effect Lining Set - 105 Balanced Flue
999-055	Wi-Fi Control Kit (suitable for new fires at time of purchase)

## REFLEX 105 FRAME OPTIONS

Product Code	Description	Frame Finish	Frame Size (mm)		
			w	h	d
934-334	Icon XS	Black Glass	1443	861	24
934-653	Sorrento	Graphite Granite	1530	801	200
934-501	Sorrento	Natural Limestone	1530	801	200













## REFLEX 105 DIMENSIONS (MM)




	A	B	C	D	E	F	G	H	I	J	K	L
6" Reflex 105 CF LPG / Nat Gas	736	1216	1050	551.5	343	326	216	17	715	765	109	1140
6" Reflex 105 BF Nat Gas	736	1216	1050	551.5	361	344	211	17	709	793	109	1140
8" Reflex 105 BF LPG	736	1216	1050	551.5	361	344	211	17	709	793	109	1140

# Technical Information

## REFLEX 75T-2 (2-SIDED) FIRE INFORMATION

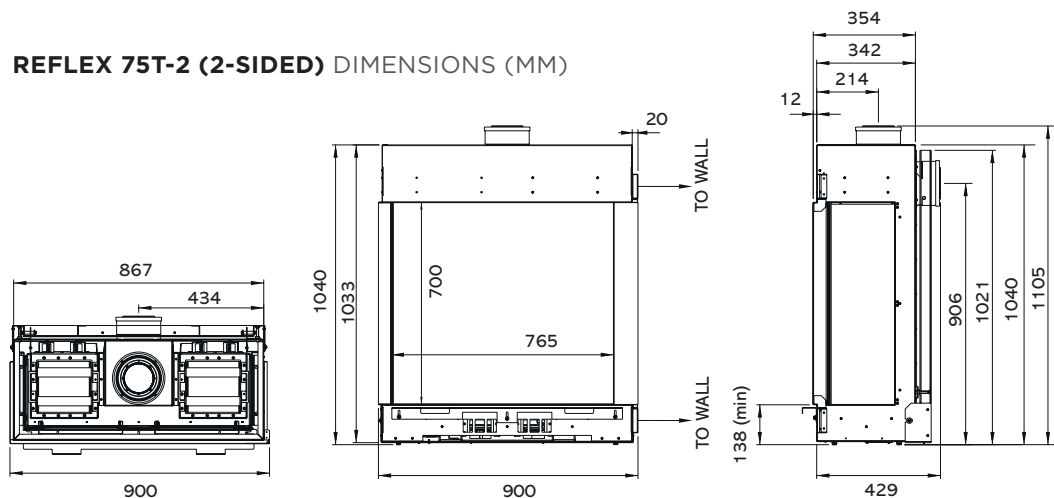
Product Code	Corner	Flue Type	Gas Type	Heat Input	Heat Output	Energy Efficiency Class	Efficiency	Lining
 191-020	Left Facing	Balanced flue	Nat. Gas	10.5kW	8.7kW	A	92%	Brick-effect
 191-645	Left Facing	Balanced flue	LPG	10.0kW	8.5kW	A	92%	Brick-effect
 191-088	Right Facing	Balanced flue	Nat. Gas	10.5kW	8.7kW	A	92%	Brick-effect
 191-690	Right Facing	Balanced flue	LPG	10.0kW	8.5kW	A	92%	Brick-effect
 191-058	Left Facing	Balanced flue	Nat. Gas	10.5kW	8.7kW	A	92%	Ledgestone-effect
 191-662	Left Facing	Balanced flue	LPG	10.0kW	8.5kW	A	92%	Ledgestone-effect
 191-101	Right Facing	Balanced flue	Nat. Gas	10.5kW	8.7kW	A	92%	Ledgestone-effect
 191-703	Right Facing	Balanced flue	LPG	10.0kW	8.5kW	A	92%	Ledgestone-effect
 191-071	Left Facing	Balanced flue	Nat. Gas	10.5kW	8.7kW	A	92%	Black Glass
 191-674	Left Facing	Balanced flue	LPG	10.0kW	8.5kW	A	92%	Black Glass
 191-113	Right Facing	Balanced flue	Nat. Gas	10.5kW	8.7kW	A	92%	Black Glass
 191-725	Right Facing	Balanced flue	LPG	10.0kW	8.5kW	A	92%	Black Glass

 All fires shown with the symbol opposite have the advantage of not normally requiring an air vent\* where the air permeability is greater than 5.0m<sup>3</sup>/hr/m<sup>2</sup>. See page 45 for more details.







## REFLEX 75T-2 (2-SIDED) ACCESSORIES


Product Code	Description
991-218	Brick-effect Lining Set - 75T-2 (2-sided) Balanced Flue
991-224	Ledgestone-effect Lining Set - 75T-2 (2-sided) Balanced Flue
991-256	Black Glass Lining Set - 75T-2 (2-sided) Balanced Flue
999-055	Wi-Fi Control Kit (suitable for new fires at time of purchase)

## REFLEX 75T-2 (2-SIDED) DIMENSIONS (MM)



## REFLEX 75T-3 (3-SIDED) FIRE INFORMATION

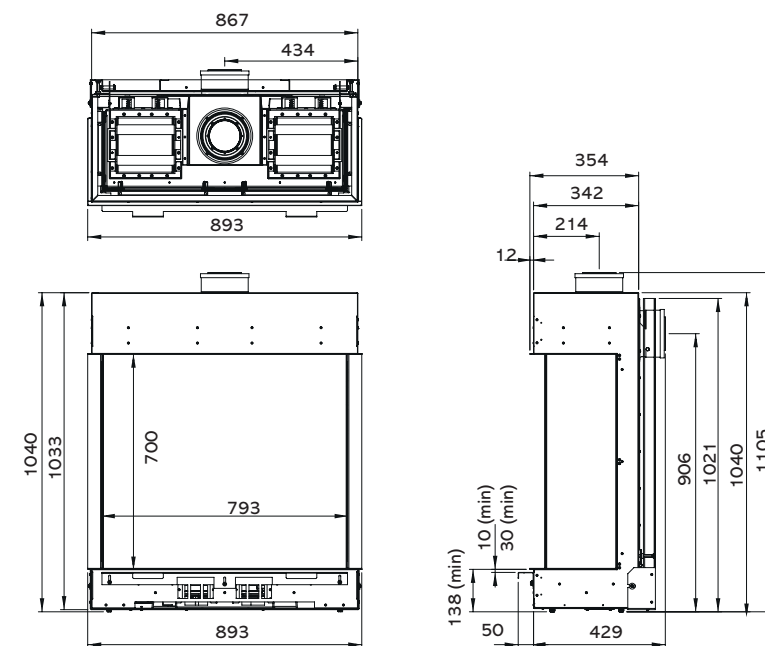
Product Code	Flue Type	Gas Type	Heat Input	Heat Output	Energy Efficiency Class	Efficiency	Lining
 191-037	Balanced flue	Nat. Gas	10.5kW	8.7kW	A	92%	Brick-effect
 191-571	Balanced flue	LPG	10.0kW	8.5kW	A	92%	Brick-effect
 191-041	Balanced flue	Nat. Gas	10.5kW	8.7kW	A	92%	Ledgestone-effect
 191-584	Balanced flue	LPG	10.0kW	8.5kW	A	92%	Ledgestone-effect
 191-056	Balanced flue	Nat. Gas	10.5kW	8.7kW	A	92%	Black Glass
 191-595	Balanced flue	LPG	10.0kW	8.5kW	A	92%	Black Glass

 All fires shown with the symbol opposite have the advantage of not normally requiring an air vent\* where the air permeability is greater than 5.0m<sup>3</sup>/hr/m<sup>2</sup>. See page 45 for more details.

## REFLEX 75T-3 (3-SIDED) ACCESSORIES

Product Code	Description
991-166	Brick-effect Lining Set - 75T-3 (3-sided) Balanced Flue
991-174	Ledgestone-effect Lining Set - 75T-3 (3-sided) Balanced Flue
991-202	Black Glass Lining Set - 75T-3 (3-sided) Balanced Flue
999-055	Wi-Fi Control Kit (suitable for new fires at time of purchase)

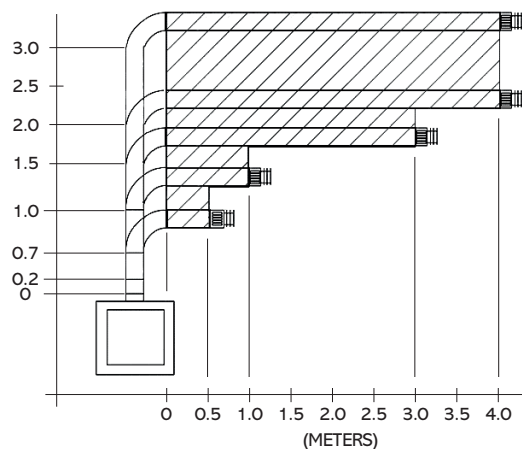
## REFLEX 75T-3 (3-SIDED) DIMENSIONS (MM)



# Balanced Flue Options

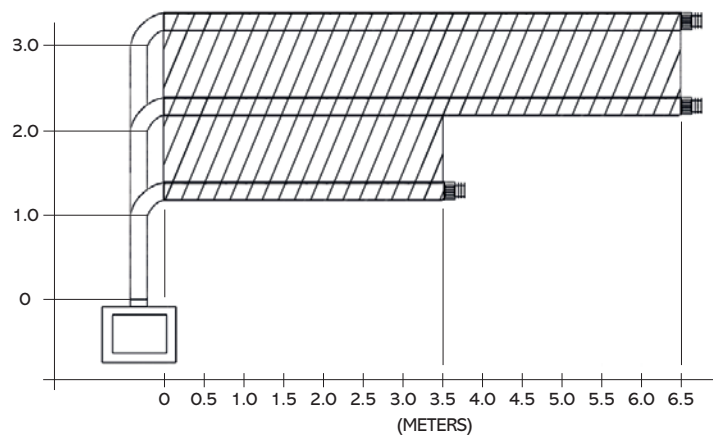
Gazco offers a comprehensive range of balanced flue system components. Please refer to our dedicated Concentric Flue System brochure and individual product instruction manuals, which can be viewed online at [www.gazco.com](http://www.gazco.com). Please note that the Reflex 105 BF LPG has been designed with a flue collar size of 8", whereas the Reflex 105 BF Natural Gas currently has a flue collar of 6".

## UP AND OUT KIT FOR 6" REFLEX 75T, 75T-3 & 75T-2



## 8" TOP FLUE UP AND OUT KIT FOR REFLEX 105 LPG

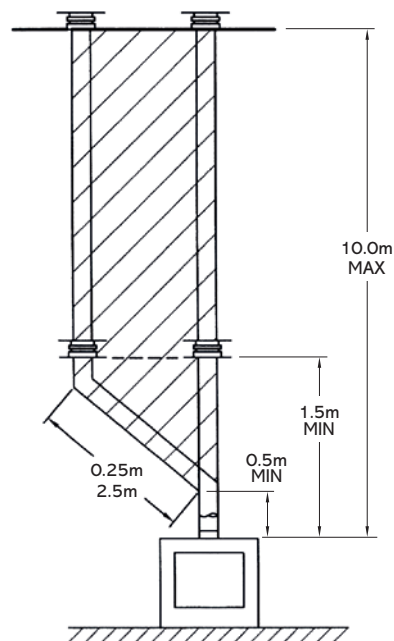
This product is designed for and requires an 8" flue system for greater installation flexibility with the Top flue Up and Out kit. It is essential when ordering additional parts to consult the table in the instructions for the relevant part numbers.



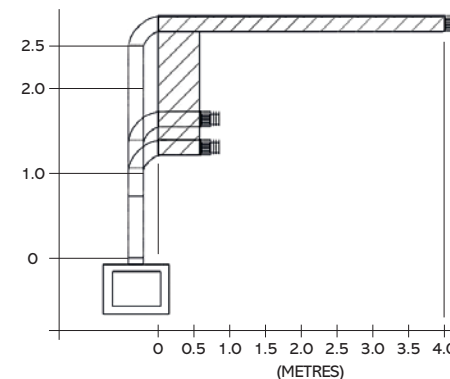
## TOP FLUE VERTICAL KITS FOR 6" REFLEX 75T, 75T-3, 75T-2, 105 (NG) & 8" REFLEX 105 (LPG)

### PLEASE NOTE:

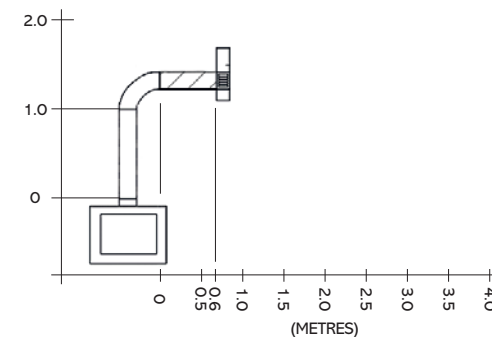
This Reflex 105 Vertical Kit includes an 8" to 6" flue adapter. It is essential when ordering additional parts to consult the table in the instruction manual for the relevant part numbers, which can be found at [www.gazco.com](http://www.gazco.com).



## UP AND OUT KIT FOR 6" REFLEX 105 NATURAL GAS

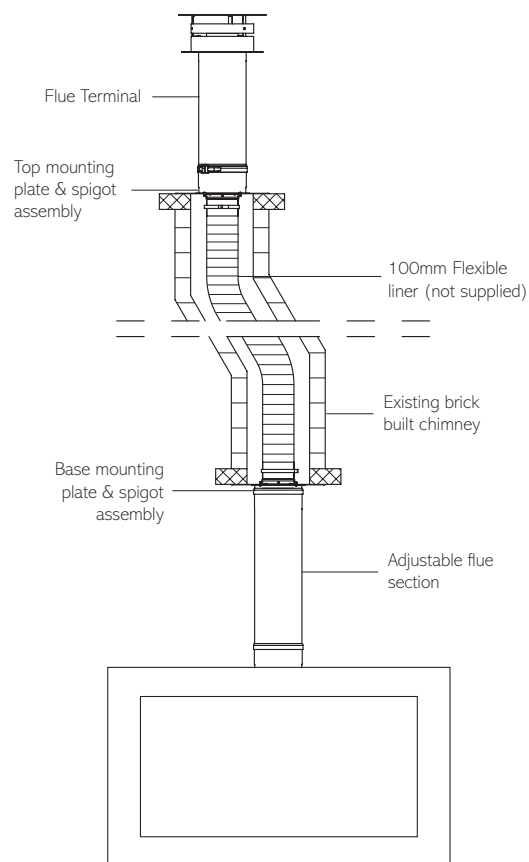


## UP AND OUT TERMINAL KIT FOR 6" REFLEX 105 NATURAL GAS



## CHIMNEY RENOVATION KITS FOR 6" REFLEX 75T, 75T-3, 75T-2, 105 (NG) & 8" 105 (LPG)

This innovative kit allows balanced flue Reflex fires to be installed into an existing fireplace opening. Using the kit, all Reflex fires have the option of a two-liner installation. In addition, Reflex 75T and 105 fires also have the option of a single liner, which uses the masonry chimney to bring in air. Please note, due to their different flue collar sizes, 6" natural gas and 8" LPG Reflex 105 balanced flue fires require different renovation kits. Your retailer will be able to advise on your specific requirements.



## Air Ventilation for gas fires

To comply with gas appliance installation regulations, all conventional flue Reflex fires require additional ventilation into your room. All fires shown with the symbol opposite have the advantage of not normally requiring an air vent\* where the air permeability is greater than 5.0m<sup>3</sup>/hr/m<sup>2</sup>. Please consult either your Gazco retailer or the Gazco Technical Information on our website [www.gazco.com](http://www.gazco.com) to confirm the ventilation required.



Please be aware that balanced flue models still require adequate enclosure venting of warm air back into the room, as explained below.

\*Requirements in the Republic of Ireland are different.

## Colours / Flame pictures

Owing to variations in studio lighting & printing inks, the finishes/colours of fires illustrated in this brochure may differ slightly from actual models. Before purchasing, please ask your retailer to show you finish samples.

All flame pictures shown in this brochure are taken from real fires. Please note however that flame pictures will vary depending on flue conditions and surrounding geographical features. Some of the photography in this brochure may not comply with the requirement of the latest building regulations given as these are subject to constant change. You should always check your proposed installation arrangement with a qualified gas installer before proceeding.

## Installation and Safety

Gazco gas fires must be fitted by a qualified gas installer (Gas Safe registered in the United Kingdom or Bord Gáis registered in the Republic of Ireland) who should also verify the proposed site conditions are fully suitable for the product selected. Complete installation instructions for many models can be obtained prior to purchase by viewing or downloading them from [www.gazco.com](http://www.gazco.com).

When designing your own installation, please also observe the minimum distance to combustible materials as stated in the installation instructions.

Please note that all parts of these fires, particularly the glass panel in the door, become extremely hot during operation and can result in serious injury and burns if touched. It is therefore recommended that a fireguard complying with BS 8423:2002 is used in the presence of young children, the elderly or infirm.

## Balanced Flue Convected Warm Airflow

Balanced flue models heat the room with convected warm air via the chimney breast or enclosure into which the appliance is installed. The void around the fire must be ventilated at both low and high levels on both sides to prevent heat build up. These vents take cold air from the room and return it back into the room. Care must be taken to comply with clearance to combustible materials as detailed in the instruction manual.

# Also available from Gazco

In addition to the Reflex range shown in this brochure, Gazco offers an extensive portfolio of strikingly realistic gas and electric products. These stylish fires and stoves can be found in our other dedicated brochures.



Skope 110W Outset with log & Pebble fuel-effect



Riva2 600HL Edge with Brick-effect lining in a Victorian Corbel mantel in antique White Marble with matching slip sets

Whether your taste is contemporary or traditional, there is a Gazco product to suit your home. Gazco's electric range spans anything from the classic-styled freestanding stove, to the ultra-modern colour-changing flames of a hang-on-the-wall electric fire. Our gas fire and stove collection brings a wealth of realistic flames, high efficiency heat, and installation versatility to suit your needs.

You can view the full range of our gas and electric stoves and fires at [www.gazco.com](http://www.gazco.com).





Reflex 105 Icon XS with EchoFlame Black Glass lining.



Reflex 75T-3 (three-sided fire) with EchoFlame Black Glass lining.



Gazco Limited, Osprey Road, Sowton Industrial Estate, Exeter, Devon, England EX2 7JG  
 Tel: 01392 261999 • Fax: 01392 444148 • E-mail: [info@gazco.com](mailto:info@gazco.com) • [www.gazco.com](http://www.gazco.com)



Gazco gratefully acknowledges the assistance of the following companies with photographic settings:

[www.furniturevillage.co.uk](http://www.furniturevillage.co.uk); [www.romo.com](http://www.romo.com); [www.debenhams.com](http://www.debenhams.com); [www.eclectique.co.uk](http://www.eclectique.co.uk); [www.theorangerie.co.uk](http://www.theorangerie.co.uk); [www.justshutters.co.uk](http://www.justshutters.co.uk); [www.homebase.co.uk](http://www.homebase.co.uk);  
[www.lauraashley.com](http://www.lauraashley.com); [www.faginsantiques.com](http://www.faginsantiques.com); [www.nestinteriors.com](http://www.nestinteriors.com); [www.graceandgloryhome.co.uk](http://www.graceandgloryhome.co.uk); [www.stbridgetnurseseries.co.uk](http://www.stbridgetnurseseries.co.uk); [www.ashorejewellery.co.uk](http://www.ashorejewellery.co.uk);  
[www.johnlewis.com](http://www.johnlewis.com); [www.wayfair.com](http://www.wayfair.com); [www.veryvintagehire.co.uk](http://www.veryvintagehire.co.uk); [www.carptright.co.uk](http://www.carptright.co.uk); [www.stovax.com](http://www.stovax.com); [www.easyart.com](http://www.easyart.com); [www.beachbros.co.uk](http://www.beachbros.co.uk); [www.birlea.com](http://www.birlea.com);  
[www.originalstyle.com](http://www.originalstyle.com); [www.carptright.com](http://www.carptright.com); [www.amtico.com](http://www.amtico.com); [www.chunkymonkeyfurniture.co.uk](http://www.chunkymonkeyfurniture.co.uk); [www.wallsandfloors.co.uk](http://www.wallsandfloors.co.uk); [www.desenio.co.uk](http://www.desenio.co.uk); [www.ikea.com](http://www.ikea.com)

Paper sourced from sustainable forests and printed using vegetable based inks • © All material copyright Gazco Ltd 2019 E & O E • A member of the Stovax group

Gazco pursue a policy of continuous product improvement, therefore, whilst our products are correct at the time of the photography, we reserve the right to make alterations and amendments. Exact product details should be discussed with your retailer at the time of purchase.

## Find Your Expert Retailer

You can find your nearest retailer by visiting:  
[www.gazco.com/find-a-retailer](http://www.gazco.com/find-a-retailer)



Your Gazco stockist:

£2.00

Ref: REFLEXBRO1019

