





# A WARM WELCOME

---

It's never been easier to get the warm inviting atmosphere of a real flame fire with all the convenience, versatility and efficiency of electricity.

Using the latest flame-effect technology, Gazco has created a beautiful range of fires and stoves that provide a versatile and stunning focal point for any home – and all without the need for a chimney!

Whether you want to achieve a modern, contemporary look or a more classic, traditional interior, this brochure will help you make the right choice for your home.

**GAZCO**  
*Fire Your Imagination*

# THE GAZCO PEDIGREE

When you choose Gazco, quality and technology are assured. From contemporary hang on the wall fires to traditional stoves, Gazco are committed to creating the ultimate in realistic electric flame effects.

Our research and development laboratories are amongst the most advanced in the industry, ensuring that the very latest innovations are incorporated into our products.

Gazco is part of the Stovax Group who offer a prestigious product range including everything from the traditional to the ultra-contemporary in a wide array of styles and sizes. Whether your choice is solid fuel, gas, or electric you can be sure to find a stove or fireplace from our range that will add warmth and character to your home. Both Gazco and Stovax offer solid fuel and gas versions of several of the fires and stoves in this brochure. Full details of the Stovax Group's range of products can be found at [www.stovax.com](http://www.stovax.com).

Gazco is an ISO9001 accredited company. Our rigorous quality control system ensures that all our appliances comply with British Safety Standards as well as stringent European regulations. All fires and stoves in the brochure are CE marked. This means they have been independently tested to exacting European standards.



## Warranty Information

Your Gazco retailer will provide you with a Two Year Extended Warranty for your new electric stove or fire, providing it is registered with Gazco. Please note, this warranty excludes certain consumable parts. Stoves and Fires purchased outside of Gazco's Expert Retailer Network will carry a standard One Year Warranty. Full warranty details, terms and conditions are available at [www.gazco.com](http://www.gazco.com).





# EXPERT RETAILER NETWORK

We take great care to ensure that our stoves and fires are designed, tested and manufactured to the highest possible quality and safety standards. We are just as concerned to make certain that they are sold and installed correctly so that you will enjoy years of pleasure from your purchase.

Accordingly, you will find our products are only available from experienced, independent retailers who will be happy to show you a selection of models locally in their showrooms, often fully operational. These independent retailers will discuss your individual requirements both technical (such as sizing the heat output to your room) and design, to ensure that you select the most appropriate product for your home. They will also be able to advise on, or assist with, the installation process as well as help provide any after-sales support and servicing your appliance may require in the future.

Whilst we encourage our retailers to promote fireplace products and their outlets via the internet, we do not believe suitable levels of customer care and satisfaction can be obtained from purchasing the product only online and we would strongly recommend that you consider this when undertaking your research and making a purchasing decision. Furthermore, please be aware that we do not offer technical support (beyond our statutory responsibilities) to products bought via nationwide online sales, where this support would normally be offered by one of our qualified, independent retailers.

In addition, Gazco fires and stoves purchased from within our Expert Retailer Network will have the additional benefit of an extended warranty period, subject to terms and conditions. Full details can be found at [www.gazco.com](http://www.gazco.com).

## FIND YOUR RETAILER

You can find your nearest retailer by visiting [www.gazco.com/find-a-retailer](http://www.gazco.com/find-a-retailer)



## WALL MOUNTED FIRES



### STUDIO FIRES

|                            |         |
|----------------------------|---------|
| Studio Electric Sizes..... | 6 - 7   |
| Studio Electric Glass..... | 8 - 9   |
| Studio Electric Verve..... | 10 - 11 |

## INSET & WALL MOUNTED



### RIVA2 670 FIRES

|   |         |
|---|---------|
| Riva2 670 Electric Designio2 Glass..... | 12 - 13 |
| Riva2 670 Electric Designio2 Steel..... | 14 - 15 |
| Riva2 670 Electric Evoke Glass.....     | 16 - 17 |
| Riva2 670 Electric Evoke Steel.....     | 16 - 17 |
| Riva2 670 Electric Verve XS.....        | 18 - 19 |

## INSET FIRES



### INSET FIRES

|                                |         |
|--------------------------------|---------|
| Electric Inset Fire Sizes..... | 20 - 21 |
| Studio Electric Inset.....     | 22 - 23 |
| Riva2 Electric Inset.....      | 24 - 25 |
| Riva2 Stone Mantels.....       | 26 - 27 |

## 16" FIRES



### LOGIC2 FIRES

|                                |         |
|--------------------------------|---------|
| Logic2 Electric Fires.....     | 28 - 29 |
| Logic2 Electric Arts.....      | 30 - 31 |
| Logic2 Electric Chartwell..... | 32 - 33 |
| Logic2 Electric Wave.....      | 34 - 35 |
| Logic2 Electric Progress.....  | 36 - 37 |

## STOVES



### CONTEMPORARY STOVES

|                      |         |
|----------------------|---------|
| Vogue Electric.....  | 38 - 39 |
| Vision Electric..... | 40 - 41 |



### TRADITIONAL STOVES

|                            |         |
|----------------------------|---------|
| Marlborough2 Electric..... | 42 - 43 |
| Stockton Electric.....     | 44 - 45 |
| Huntingdon Electric.....   | 46 - 47 |



# STUDIO ELECTRIC

The outstanding Studio Electric range is available in a choice of three sizes including a portrait option. With their simple 'hang on the wall' installation and a choice of contemporary styles, these designer electric fires can add stylish warmth to almost any room in your home. All Studio Electric wall mounted fires feature an advanced Programmable Thermostatic Eco remote control that independently controls the flame visuals and heating as well as allowing Daily & Weekly scheduling. For more information see page 48.

## Studio 1

The highly efficient Studio 1 is the most compact landscape model in the range, making it the perfect choice for adding a dramatic focal point to a smaller interior.



## Studio 2

For effortless style and maximum impact, opt for a Studio 2 Electric fire. The larger dimensions make for an eye-catching focal point accentuating the highly realistic LED flame effect.



## Studio 22

The Studio 22 adds instant vertical presence to any modern interior. With its unusual yet highly attractive portrait form, the Studio 22 Electric is perfect for the living room but equally capable of making a designer statement in the study or office. On milder evenings, just sit back and enjoy the flickering flames without the heat or bring some cosy warmth to your room with the Studio's thermostatic ambient heating.



### Programmable Thermostatic Eco handset

Each Studio Electric fire is controlled with Gazco's Programmable Thermostatic Eco remote control. This powerful handset allows you to programme your fire as well as accessing the fire's host Innovative energy saving eco features. For more information see page 48.



The Studio's innovative energy saving features make it compliant with stringent 2018 Ecodesign energy product standards.

*Studio Electric sizes shown with Verve frame*

# STUDIO ELECTRIC GLASS



Studio Electric 22 Glass



Studio Electric 2 Glass



Sleek, chic and contemporary, the Studio Electric Glass offers a distinctive focal point that complements any interior. Available in three sizes, this striking frame offers instant impact, whatever your room size.

Easy to fit, this designer fire can simply be hung on the wall. Its shallow depth means it will only protrude minimally into your room.

A stunning flame-effect with five levels of brightness is available at the touch of a button on your remote control.

**Finish**  
Black Glass

**Heat Output**  
Studio 1: 0.9kW - 1.8kW  
Studio 2: 0.9kW - 1.8kW  
Studio 22: 0.45kW - 0.9kW  
*(or flame effect only)*

**Frame Dimensions w x h x d (mm)**  
Studio 1: 1120 x 675 x 118  
Studio 2: 1320 x 675 x 118  
Studio 22: 675 x 1320 x 118

For more detailed information please see page 48.



Programmable  
Thermostatic  
Eco Remote  
Control









Studio Electric 2 Verve

# STUDIO ELECTRIC VERVE



Studio Electric 22 Verve  
(shown without White Stones)



Studio Electric 1 Verve

The stylish Studio Electric Verve has a beautifully curved frame, making for a striking designer statement that can be appreciated from all angles.

Whether for a luxurious living room or stylish study, the hang-on-the-wall Studio Electric Verve is incredibly versatile, with three landscape sizes as well as a portrait option to choose from.

#### Finish

Graphite

#### Fuel Bed Effect

White Stones  
(removable)

#### Heat Output

Studio 1: 0.9kW - 1.8kW

Studio 2: 0.9kW - 1.8kW

Studio 22: 0.45kW - 0.9kW  
(or flame effect only)

#### Frame Dimensions w x h x d (mm)

Studio 1: 1320 x 640 x 155

Studio 2: 1520 x 640 x 160

Studio 22: 676 x 1320 x 156



Programmable  
Thermostatic  
Eco Remote  
Control

**eco**  
DESIGN COMPLIANT

Also see image on pages 6. For more detailed information please see page 48.



# RIVA 2 670 DESIGNIO 2 GLASS



Riva2 670 Electric Designio2 Glass



Riva2 670 Electric Designio2 Glass

The Designio2 Glass' reflective black surfaces and subtle detailing perfectly complement this stylish electric fire. Offering chic, contemporary styling this mesmerising fire and frame choice creates an eye-catching centrepiece that can suit a wide range of interiors.

For a streamlined aesthetic, the Riva2 670 Electric can be slotted into a pre-constructed hole. Alternatively you can use the optional wall mounting box to hang your fire on a flat wall. The versatile Designio2 frame also allows the 670 Electric to be hearth mounted for a more traditional fireplace setting.

**Finish**  
Black Glass

**Fuel Bed**  
Log effect

**Heat Output**  
1.0kW - 2.0kW  
(or flame effect only)

**Frame Dimensions w x h x d (mm)**  
735 x 569 x 40\*



Programmable  
Thermostatic  
Eco Remote  
Control

\*Depth when recessed into wall. For more information on the optional wall-mounting box as well as firebox dimensions, please see page 51.

For information on the remote control features see p48.

# R I V A 2 6 7 0 D E S I G N I O 2 S T E E L



*Riva2 670 Electric Designio2 Steel in Graphite*



*Riva2 670 Electric Designio2 Steel in Iridium*



The Designio2 Steel is a stylish frame that has been thoughtfully shaped for the Riva2 670 Electric and sports a simple yet sophisticated design.

Finished in a choice of stylish Graphite or smart Iridium, the Designio2 Steel offers you a complete focal point with a thoroughly contemporary and cutting edge look that will complement many interiors and decors.

Offering versatile styling options, the Designio2 Steel can be wall or hearth mounted depending on your tastes. Additionally, the fire can also be installed using the optional wall mounting box, for flat wall installation.

#### Finish Choice

Graphite  
Iridium

#### Fuel Bed

Log effect

#### Heat Output

1.0kW - 2.0kW  
*(or flame effect only)*

#### Frame Dimensions w x h x d (mm)

735 x 569 x 40\*



Programmable  
Thermostatic  
Eco Remote  
Control

\*Depth when recessed into wall. For more information on the optional wall-mounting box as well as firebox dimensions, please see page 51.

For information on the remote control features see p48.





# RIVA 2 670 EVOKE - GLASS & STEEL



*Riva2 670 Electric Evoke Glass  
with White Glass front & Graphite rear*



*Riva2 670 Electric Evoke Steel  
with Graphite front & Graphite rear*

Minimalist in design but bold in statement, the Evoke frame adds further presence to the Riva2 670. Choose from Steel or Glass fronts to suit your living area.

All Riva2 670 Electric fires can be recessed into a pre-constructed hole for a more minimalist installation but can also be hung directly on the wall with the optional wall-mounting box.

See front cover for additional image.

#### Front Finishes

Black Glass  
White Glass  
Graphite Steel

#### Fuel Bed

Log effect

#### Rear Finishes

Graphite  
Ivory

#### Heat Output

1.0kW - 2.0kW  
*(or flame effect only)*

#### Frame Dimensions w x h x d (mm)

920 x 622 x 41\*



Programmable  
Thermostatic  
Eco Remote  
Control

\*Depth when recessed into wall. For more information on the optional wall-mounting box as well as firebox dimensions, please see page 51.

For information on the remote control features see p48.







*Riva2 670 Electric Evoke Glass  
with Black Glass front & Graphite rear*



# RIVA 2 670 VERVE XS



Riva2 670 Electric Verve XS in Graphite

The stylish Verve XS transforms the Riva2 670 with a 3D frame designed to create maximum visual impact in your home. This subtly curving frame choice comes in smart Graphite to suit a variety of settings.

The Riva2 670's highly realistic fuel bed is enhanced by Gazco's stunning flame-effect, offering the ambiance of a real log flame with the instant convenience of electric.

**Front Finish**  
Graphite

**Heat Output**  
1.0kW - 2.0kW  
(or flame effect only)

**Fuel Bed**  
Log effect

**Frame Dimensions w x h x d (mm)**  
920 x 622 x 41\*



Programmable  
Thermostatic  
Eco Remote  
Control

\* Depth when recessed into wall. For more information on the optional wall-mounting box as well as firebox dimensions, please see page 51.

For information on the remote control features see p48.

## ELECTRIC INSET FIRES

---

Studio and Riva2 Inset electric fires offer stunning visuals at the touch of a button. Tall flame effects appear to dance both in front and behind the glowing ember effects for a deep, 3D display. Choose from landscape Studio sizes or the more portrait Riva2 models to suit your interior.

Designed to automatically reach and maintain the room temperature you select, these innovative fires efficiently manage heat output to maintain a comfortable ambient warmth.



## Glowing ember effects

All Studio and Riva2 fires come with Fire Crystal fuel effects; a combination of amber, red and midnight blue beads that sparkle and glow when lit from beneath by the fire's powerful LEDs. Creating the appearance of glowing embers, the crystal-effect and up lighting add a relaxing ambience to any setting.



## Programmable Thermostatic Handset

Each Studio and Riva2 fire features a convenient handset, which lets you easily adjust the flame visuals using the touch-ring control. This Programmable Thermostatic handset also allows the fire to be scheduled to turn on at pre-set times and temperatures, as well as enjoy the display with or without the heat for mood-enhancing ambience all year round. For more information, see page 48.



The Studio's innovative energy saving features make it compliant with stringent 2018 Ecodesign energy product standards.



**Riva2 Electric 55**  
550 x 550mm\*



**Riva2 Electric 70**  
700 x 650mm\*

\*Overall visible dimensions upon installation. For more detailed information, including firebox dimensions please see page 49.



**Studio Electric Inset 80**  
800 x 380mm\*



**Studio Electric Inset 105**  
1050 x 380mm\*



**Studio Electric Inset 150**  
1500 x 380mm\*



# STUDIO ELECTRIC INSET



Studio Electric Inset 105



Studio Electric Inset 80

The Studio Electric Inset's landscape design creates a strikingly contemporary and minimalist look. Available in three different sizes and installed completely flush with the wall, the Studio Electric Inset has the versatility to complement a wide range of stylish room designs.

**Heat Output**  
0.5kW – 2.0kW  
*(or flame effect only)*

**Dimensions w x h (mm)**  
Studio Electric Inset 80: 800 x 380  
Studio Electric Inset 105: 1050 x 380  
Studio Electric Inset 150: 1500 x 380



Programmable  
Thermostatic  
Remote Control



For more detailed information on fire dimensions and remote control features, see pages 48-49.

# RIVA 2 ELECTRIC INSET



Riva2 Electric Inset 55



Riva2 Electric Inset 70



Providing an alternative aesthetic to the landscape Studio fires (preceding pages), the Riva2 Inset Electric fires make for a stylish focal point in any setting.

The smaller Riva2 Inset 55 has equidistant sides for versatile, square proportions. The larger 70 offers is very slightly wider than it is tall, making it perfect for adding to classic fireplaces or installing with the range of mantels shown overleaf.

#### Heat Output

Riva2 Electric Inset 55: 0.25kW - 1.0kW

Riva2 Electric Inset 70: 0.5kW - 2.0kW  
(or flame effect only)

#### Dimensions w x h (mm)

Riva2 Electric Inset 55: 550 x 550

Riva2 Electric Inset 70: 700 x 650



Programmable  
Thermostatic  
Remote Control

**eco**  
DESIGN COMPLIANT

For more detailed information on fire dimensions and remote control features, see pages 48-49.





# RIVA 2 ELECTRIC STONE MANTELS



Claremont



Cavendish Bolection



Georgian Roundel



Grafton



Sandringham

For sheer elegance and ultimate sophistication, you can combine your Riva2 Electric 70 fire with one of Gazco's beautiful natural stone mantels. There are six designs to suit both traditional and modern decorative styles, each available in either the clean look of antique white marble or the gentle warmth of natural limestone.

A Riva2 Electric stone mantel provides you with the highest levels of aesthetic and tactile appeal from the hand-finished craftsmanship that goes into each and every one.

## Mantel Styles

|                     |             |
|---------------------|-------------|
| Claremont           | 1555 x 1143 |
| Cavendish Bolection | 1460 x 1320 |
| Georgian Roundel    | 1460 x 1082 |
| Grafton             | 1415 x 1165 |
| Sandringham         | 1550 x 1220 |
| Victorian Corbel    | 1525 x 1170 |

## Dimensions w x h (mm)<sup>†</sup>

## Mantel Stone Choice

Antique White Marble  
Limestone

## Heat Output

0.5kW - 2.0kW (or flame effect only)

## Fire Dimensions w x h (mm)

700 x 650



Programmable  
Thermostatic  
Remote Control



\* Our stone mantels are crafted from high quality, natural material and therefore will contain naturally occurring veining, subtle tonal differences and indeed, small fossils that may be found in the limestone or marble.

<sup>†</sup> Overall visible dimensions upon installation. For more detailed information, including firebox dimensions please see page 49.



*Riva2 Electric 70 with Victorian Corbel Mantel in Limestone*



*Logic2 Electric Chartwell with Brushed Steel Effect Frame, Highlight Polished Front and Grey Pebble fuel effect on amber flame setting. Shown with Claremont Limestone mantel, Stovax Burlington Cast front and Polished Insert Panel.*

# LOGIC2 ELECTRIC FIRES

Featuring advanced LED technology, the Logic2 Electric Inset fire range offers captivating, life-like flame visuals for instant fireside ambience. Designed to fit easily into a standard fireplace opening, 3" rebated mantel with slip or simply against a flat wall using the optional spacer frame, this versatile fire can be enjoyed in almost any interior setting.

The Logic2 features various LED flame effects including deep amber, cool blue or a combination of the two (see page 30 for additional image). Using the handset that gives you full control over the fire's features, the Logic2's flames can be set to five brightness settings and can also be displayed with or without the heat if desired.

The Logic2's Programmable Thermostatic Eco handset also offers a number of convenient options, including Daily and Weekly scheduling. This advanced handset also includes various energy saving features which make it Ecodesign compliant. For more information see page 48.



These stylish electric fires come complete with three easily interchangeable fuel beds which each add a unique aesthetic. The log arrangement creates a traditional woodburning look, or, switch to either white and clear stones or grey pebbles for a strikingly contemporary aesthetics.

The versatile Logic2 has a choice of modern and traditionally styled frames and fronts (shown on the following pages) that allow you to customise your fire to suit your home.

## 3 INTERCHANGEABLE FUEL EFFECTS



Log-effect



White & Clear Stones



Grey Pebbles



Logic2 Electric Wave with Polished Steel Effect Frame, Polished Front and Log-effect fuel bed on blue flame setting. Shown with White Brompton wooden mantel from Stovax.



*Logic2 Electric Arts with Highlight Polished front, Brushed Steel effect frame and White & Clear Stone fuel effect on mixed flame effect setting.  
Also shown: Art Deco wooden mantel in white, available from Stovax.*

# LOGIC2 ELECTRIC ARTS



Logic2 Electric Arts with Matt Black front, Brushed Steel effect frame, & White & Clear Stone fuel effect on blue flame setting. Shown with optional Spacer Frame.



Logic2 Electric Arts with Polished Brass effect fret & frame with Log-effect fuel bed on amber flame setting.



Logic2 Electric Arts with Polished effect fret, Polished Steel effect frame and Log-effect fuel bed on amber flame setting.

Taking its design origins from the Arts and Crafts movement in the early twentieth century, the Logic2 Arts embraces simplicity and clean styling. Available in a range of front and frame finishes, the Arts can be selected in a variety of combinations to suit your tastes. Using the optional spacer frame the Arts can also be installed without having to be inset into a wall, minimising building work.

For more detailed information please see page 50. See page 48 for remote control features.

### Finish Combinations

| Frame Choice          | Front Choice       |
|-----------------------|--------------------|
| Matt Black            | Matt Black         |
|                       | Brass effect       |
|                       | Polished effect    |
| Brass effect          | Highlight Polished |
|                       | Brass effect       |
| Polished Steel effect | Matt Black         |
|                       | Polished effect    |
|                       | Highlight Polished |
| Brushed Steel effect  | Matt Black         |
|                       | Polished effect    |
|                       | Highlight Polished |

### Interchangeable Fuel Beds

- Log-effect
- White & Clear Stones
- Grey Pebbles

### Heat Output

1.0kW - 2.0kW  
(or flame effect only)

### Flame Visual Settings

Amber, blue or mixed

### Dimensions w x h (mm)

510 x 609



Programmable  
Thermostatic  
Eco Remote  
Control



# LOGIC2 ELECTRIC CHARTWELL



*Logic2 Electric Chartwell with Matt Black front and frame, with White & Clear Stone fuel effect on mixed flame effect setting.*



*Logic2 Electric Chartwell with Polished effect front, Polished Steel effect frame, and Log-effect fuel bed on blue flame setting.*



*Logic2 Electric Chartwell with Polished-effect Brass front and frame, with Log-effect fuel bed on amber flame setting.*

The elegant Logic2 Chartwell instantly evokes the heritage and classical styling of a traditional fireplace. Available in various front and frame finishes, the Chartwell can be combined with Gazco's many mantels, fronts and insert panels to create the perfect fireplace for your home.

For easy installation, each frame choice can be used with the optional spacer frame which allows the Logic2 to be fitted directly against a flat wall.

See page 28 for an additional image.  
For more detailed information please see page 50. See page 48 for remote control features.

### Finish Combinations

| Frame Choice          | Front Choice       |
|-----------------------|--------------------|
| Matt Black            | Matt Black         |
|                       | Brass effect       |
|                       | Polished effect    |
| Brass effect          | Highlight Polished |
|                       | Brass effect       |
| Polished Steel effect | Matt Black         |
|                       | Polished effect    |
|                       | Highlight Polished |
| Brushed Steel effect  | Matt Black         |
|                       | Polished effect    |
|                       | Highlight Polished |

### Interchangeable Fuel Beds

- Log-effect
- White & Clear Stones
- Grey Pebbles

### Heat Output

1.0kW - 2.0kW  
(or flame effect only)

### Flame Visual Settings

Amber, blue or mixed

### Dimensions w x h (mm)

510 x 609



Programmable  
Thermostatic  
Eco Remote  
Control







*Logic2 Electric Chartwell with Highlight Polished front, Matt Black frame, and Grey Pebble fuel bed on amber flame setting. Shown with Stovax Malmo wooden mantel.*



*Logic2 Electric Wave with Polished Steel Effect frame, Matt Black front with Log effect fuel bed on amber flame setting. Shown with Malmo wooden mantel in White from Stovax.*

# LOGIC2 ELECTRIC WAVE



Logic2 Electric Wave with Matt Black frame and front with White & Clear Stone fuel bed on blue flame setting.



Logic2 Electric Wave with Polished Steel Effect frame, Polished effect front with Grey Pebble fuel bed on amber flame setting.

Blending modern and traditional styling, the Logic2 Wave features smooth lines and refined curves, suiting both contemporary and period interiors alike. The Wave can be selected in Black, Polished Steel, Brushed Steel and Brass with the option to combine different frame and front finishes for unique styling. Logic2 Wave fires are available with an optional spacer frame which allows the fire to be quickly and easily fitted onto a flat wall, if desired.

See page 29 for an additional image.  
For more detailed information please see page 50. See page 48 for remote control features.

### Finish Combinations

| Frame Choice          | Front Choice       |
|-----------------------|--------------------|
| Matt Black            | Matt Black         |
|                       | Brass effect       |
|                       | Polished effect    |
|                       | Highlight Polished |
| Brass effect          | Brass effect       |
| Polished Steel effect | Matt Black         |
|                       | Polished effect    |
|                       | Highlight Polished |
| Brushed Steel effect  | Matt Black         |
|                       | Polished effect    |
|                       | Highlight Polished |

### Interchangeable Fuel Beds

- Log-effect
- White & Clear Stones
- Grey Pebbles

### Heat Output

1.0kW - 2.0kW  
(or flame effect only)

### Flame Visual Settings

Amber, blue or mixed

### Dimensions w x h (mm)

510 x 609



Programmable  
Thermostatic  
Eco Remote  
Control



# LOGIC2 ELECTRIC PROGRESS



The ultra-contemporary Progress front's minimalist styling perfectly complements the advanced Logic2 fire. Featuring a smoothly curving front with a striking Iridium finish, this modern fire effortlessly makes for a designer centrepiece in any interior.

The versatile Logic2 fire range is designed to be fitted into a standard fireplace opening or flat against the wall with either a 3" rebated mantel with slip or by using the optional spacer frame.

#### Finish

Iridium

#### Dimensions w x h (mm)

520 x 602

#### Heat Output

1.0kW - 2.0kW  
(or flame effect only)

#### Interchangeable Fuel Beds

Log-effect  
White & Clear Stones  
Grey Pebbles

#### Flame Visual Settings

Amber, blue or mixed



Programmable  
Thermostatic  
Eco Remote  
Control



For more detailed information please see page 50. See page 48 for remote control features.



*Logic2 Electric Progress with White & Clear Stone fuel bed on blue flame setting.  
Also shown: Malmo wooden mantel in white available from Stovax.*

# VOGUE MIDI ELECTRIC



*Vogue Midi Electric with Log and Pebble Fuel effects and amber and blue accent flame setting*



*Vogue Midi Midline Electric with Log & Pebble Fuel effects and amber flame setting*



The Vogue Midi range represents the latest innovation in electric stove design, creating deep, captivating, 3D flame effects with incredible realism. Gazco's ChromaLight Immersive LED technology lets you control flame and ember bed lighting effects to create the perfect ambience in virtually any part of the home.

The Vogue Midi is offered in two models including the taller Midline version, which can be stacked with logs to add to the authentic wood fire display. A choice of fuel beds including Logs, Pebbles and Crystal Ice-effects come with each stove letting you mix and match to create a truly bespoke display. The Vogue is also stove bench compatible, for more information see page 52.

Gazco's Programmable Thermostatic Eco remote provides complete control over the stove's visuals as well as allowing you schedule heating to suit your lifestyle. Innovative energy saving features ensure the Vogue Midi runs as efficiently as possible, for more information see page 48.

*See additional image on front cover.*

#### Colour

Matt Black

#### Interchangeable Fuel Beds

Log & Pebble  
Crystal Ice-effect

#### Heat Output

1.0kW - 2.0kW  
*(or flame effect only)*

#### Flame Visual Settings

Amber  
Blue  
Amber with blue accent

#### Size w x h x d (mm)

416 x 639 x 348

See page 48 for handset features.  
For more detailed information  
please see page 51.



Programmable  
Thermostatic  
Eco Remote  
Control





*Vogue Midi Electric with Log and Pebble Fuel effects and amber flame setting*





# VISION ELECTRIC



*Vision Midi Electric on Riva 45 Low Bench*



*Vision Medium Electric*



*Vision Small Electric on Riva 100 High Bench*

The Vision is a contemporary, electric stove that comes in three sizes: Small, Midi and Medium; each sporting a highly reflective black glass door, integral glass plinth, black glass top plate and contrasting stainless steel detailing for a clean stylish look.

Incorporating an eye-catching flame effect created using Gazco's unique Veriflame™ technology, the Vision's alluring visuals glow over a realistic hand painted log-effect fuel bed to give all the ambiance and depth of a real log fire.

The three brightness levels can be easily altered at the touch of a button on the remote control\* to create a look to suit your mood. Furthermore, each level is available with or without the 1-2kW of heat output, so you can enjoy the ambiance created by your electric stove whatever the season!

To increase your interior design possibilities, you can enhance your Vision by choosing from one of ten stylish Riva Stove Benches as shown on page 52.

## Finish

Black Glass

## Fuel Bed

Log effect

## Heat Output

1.0kW - 2.0kW  
(or flame effect only)

## Size w x h x d (mm)

Small: 370 x 555 x 299

Midi: 415 x 604 x 320

Medium: 535 x 676 x 363



*Highly reflective stove lining*



Remote Control

For more detailed information please see page 51. See page 48 for remote control features.

\*The thermostat is controlled from the stove

# MARLBOROUGH2 ELECTRIC



*Marlborough2 Electric Medium*



*Marlborough2 Electric Small*



The Marlborough2 Electric offers you an amazingly realistic log-effect fire at the touch of a button - in two different sizes. At its heart is Gazco's unique VeriFlame™ technology which lets you choose from two heat settings that can both be thermostatically controlled\*; three brightness levels, plus the additional option for a blue flame-effect when set to high. You can even turn off the heat and just watch the stunning flame-effects perfect for the summer months.

Gazco Electric Stoves simply plug into a 13 Amp socket, so are particularly suited for conservatories, bedrooms or studies, in fact any room with or without a chimney.

**Finish**  
Matt Black

**Fuel Bed**  
Log effect

**Heat Output**  
1.0kW - 2.0kW  
*(or flame effect only)*

**Size w x h x d (mm)**  
Small: 429 x 533 x 355  
Medium: 600 x 583 x 406



Remote Control

For more detailed information please see page 51. See page 48 for remote control features.

\*The thermostat is controlled from the stove



# STOCKTON ELECTRIC



Stockton2 Electric Small



Stockton2 Electric Medium



With a stunning cast iron door and heavy gauge steel body, the Stockton Electric combines the classic looks of a woodburning stove with the ease and convenience of Gazco's unique VeriFlame™ technology.

This means you can enjoy two heat settings that can be thermostatically controlled\*, three flame intensity levels, plus the additional option for a blue flame effect when set to high. Creating a remarkably authentic log effect fire, the Stockton Electric creates a superb focal point in any room.

The Stockton Electric range is available in three sizes; Stockton2 Small, Stockton 5 and Stockton2 Medium.

**Finish**  
Matt Black

**Fuel Bed**  
Log effect

**Heat Output**  
1.0kW - 2.0kW  
(or flame effect only)

**Size w x h x d (mm)**  
Stockton2 Small: 438 x 525 x 338  
Stockton 5: 481 x 544 x 337  
Stockton2 Medium: 601 x 616 x 412



Remote Control

For more detailed information please see page 52. See page 48 for remote control features.

\*The thermostat is controlled from the stove



# HUNTINGDON ELECTRIC



*Huntingdon 30 Electric with Tracery Door in Matt Ivory*



*Huntingdon 20 Electric with Tracery Door in Matt Black*



*Huntingdon 30 Electric with Tracery Door in Ivory Enamel*

The fine castings of the Huntingdon Electric range are brought alive with Gazco's VeriFlame™ technology, which gives you two heat settings that can both be thermostatically controlled\*. In addition, there are also three flame brightness levels to choose from as well as the option of a blue flame effect on the highest heat setting.

Your choice of flame effect is set against the highly realistic fuel bed and individually hand painted logs, perfectly mirroring the look and atmosphere of a real woodburning stove. The Huntingdon Electric range is available in a number of finishes to complement your home. For even more styling options, each size is also offered in either clear door or tracery door versions.

See additional images on pages 2, 3 & 53.

#### Colour Choice

##### Paint Finishes

Matt Black  
Matt Ivory

##### Enamel Finishes

Ivory

#### Fuel Bed

Log effect

#### Door Choice

Tracery Door  
Clear Door

#### Heat Output

1.0kW - 2.0kW  
(or flame effect only)

#### Size w x h x d (mm)

20: 413 x 536 x 324  
30: 560 x 592 x 351  
40: 641 x 653 x 397



Remote Control

For more detailed information please see page 52. See page 48 for remote control features.

\* The thermostat is controlled from the stove.



Huntingdon 40 Electric with Clear Door in Matt Black. Shown with Stovax Claremont Natural Limestone Mantel.

# REMOTE CONTROLS



## PROGRAMMABLE THERMOSTATIC ECO REMOTE CONTROL

Studio Electric wall mounted fires, Riva2 670 fires, Logic2 fires and Vogue Midi stoves all feature Gazco's Eco remote control. This advanced handset provides complete control over the fire, including flame colours and brightness levels as well as a number of energy saving features.

**Daily and weekly heating** lets you program your fire to provide heat at certain times of the day or week to suit your lifestyle. Heating cycles can be easily advanced or delayed, if desired, without disrupting scheduling.

**Adaptive start control** allows the handset to turn on the fire's heating function up to 45 minutes in advance of a scheduled time, ensuring your room is at the right temperature when you want it to be.

**Ambient heating control** allows you to set the optimum temperature for your room between 15°C and 25°C. The fire will automatically manage heating power to reach the chosen temperature as efficiently as possible. Eco and Boost settings offer further freedom to adjust the temperature by +/-4°C.

**Open window detection** save's energy by turning off the fire's heat if a sudden drop in room temperature of up to 4°C is detected, such as when a door or window is opened. Heating can be easily resumed by pressing the heat button again or closing the window.



## PROGRAMMABLE THERMOSTATIC REMOTE CONTROL

Studio and Riva2 Inset fires come complete with a Programmable Thermostatic remote control, which

provides total control over the fire's flames, lighting and heat. The fire's ambient heating function automatically increases or decreases heat output to reach the temperature you set (between 15°C and 25°C) and is managed as efficiently as possible to save energy. This convenient handset also allows you to schedule your fire to turn on automatically at preset times and temperatures to suit your lifestyle, with Adaptive Start Control turning on the fire up to 45 minutes in advance if required.



Both Programmable Thermostatic remote controls include innovative energy saving features that make each fire or stove compliant with stringent 2018 Ecodesign energy product standards.



## VERIFLAME™ REMOTE CONTROL

Gazco's VeriFlame™ technology produces a highly realistic fire effect. The complementary handset allows you to independently adjust the brightness and colour of the flames and fuel bed so you can produce the exact ambience you require, giving you complete flexibility at the touch of a button.

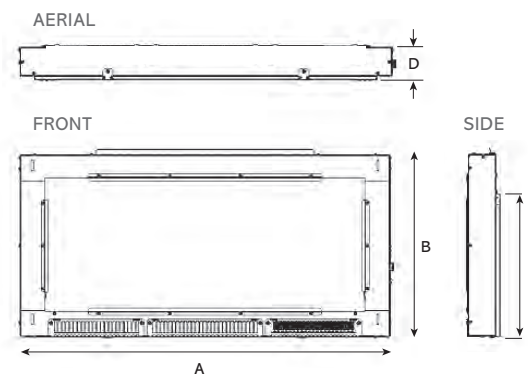
# STUDIO ELECTRIC

| Product Code    | Frame | Finish      | Frame Size (mm) |     |     | Flame Viewing Area (w x h) | Heat Output |
|-----------------|-------|-------------|-----------------|-----|-----|----------------------------|-------------|
|                 |       |             | w               | h   | d   |                            |             |
| <b>STUDIO 1</b> |       |             |                 |     |     |                            |             |
| 223-202         | Verve | Graphite    | 1320            | 640 | 155 | 650 x 324                  | 0.9 - 1.8kW |
| 223-094         | Glass | Black Glass | 1120            | 675 | 118 | 650 x 324                  | 0.9 - 1.8kW |

|                 |       |             |      |     |     |           |             |
|-----------------|-------|-------------|------|-----|-----|-----------|-------------|
| <b>STUDIO 2</b> |       |             |      |     |     |           |             |
| 223-427         | Verve | Graphite    | 1520 | 640 | 160 | 850 x 324 | 0.9 - 1.8kW |
| 223-335         | Glass | Black Glass | 1320 | 675 | 118 | 850 x 324 | 0.9 - 1.8kW |

|                  |       |             |     |      |     |           |              |
|------------------|-------|-------------|-----|------|-----|-----------|--------------|
| <b>STUDIO 22</b> |       |             |     |      |     |           |              |
| 223-710          | Verve | Graphite    | 676 | 1320 | 156 | 324 x 850 | 0.45 - 0.9kW |
| 223-557          | Glass | Black Glass | 675 | 1320 | 118 | 324 x 850 | 0.45 - 0.9kW |

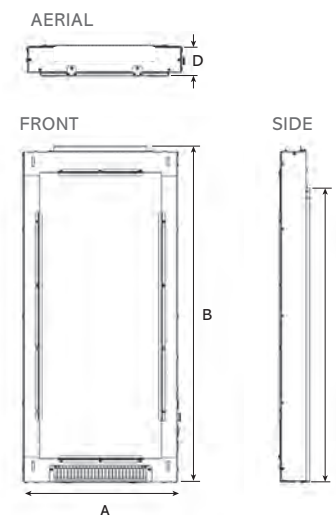
## STUDIO ELECTRIC 1 AND 2



### Studio Electric Fire Dimensions (mm)

|   | Studio 1 | Studio 2 | Studio 22 |
|---|----------|----------|-----------|
| A | 822      | 1045     | 492       |
| B | 549      | 549      | 1062      |
| C | 416      | 416      | 929       |
| D | 98       | 98       | 98        |

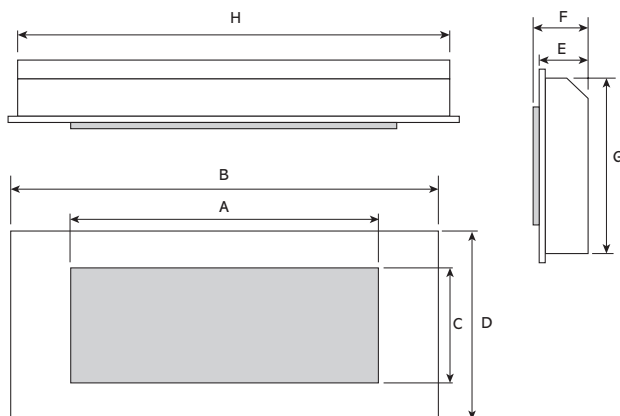
## STUDIO ELECTRIC 22



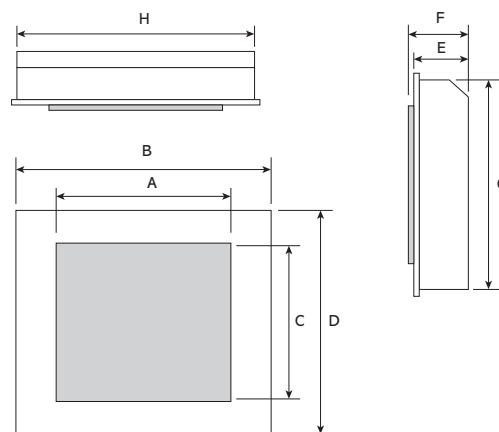


# INSERT FIRES

## STUDIO ELECTRIC INSET DIMENSIONS



## RIVA2 ELECTRIC INSET DIMENSIONS



## Inset Fires Dimensions (mm)

|                  | A    | B    | C   | D   | E   | F   | G   | H    |
|------------------|------|------|-----|-----|-----|-----|-----|------|
| Studio Inset 150 | 1500 | 1877 | 380 | 622 | 191 | 206 | 585 | 1834 |
| Studio Inset 105 | 1050 | 1460 | 380 | 622 | 191 | 206 | 585 | 1417 |
| Studio Inset 80  | 800  | 1145 | 380 | 622 | 191 | 206 | 585 | 1102 |
| Riva2 70         | 700  | 1045 | 650 | 902 | 221 | 236 | 865 | 1002 |
| Riva2 55         | 550  | 895  | 550 | 792 | 221 | 236 | 755 | 852  |

## Fire Information

| Product Code | Model                     | Heat Output   |
|--------------|---------------------------|---------------|
| 223-446      | Studio Electric Inset 150 | 0.50 - 2.00kW |
| 223-431      | Studio Electric Inset 105 | 0.50 - 2.00kW |
| 223-414      | Studio Electric Inset 80  | 0.50 - 2.00kW |
| 234-255      | Riva 2 Electric 70        | 0.50 - 2.00kW |
| 234-243      | Riva 2 Electric 55        | 0.25 - 1.00kW |

The shaded area of the diagrams indicates the visible part of the fire upon installation.

# RIVA 2 ELECTRIC STONE MANTELS

| Product Code | Description                             | Finish               | Overall Width (mm) | Height (mm) | Shelf Depth (mm) | Leg to leg outer (mm) |
|--------------|---|----------------------|--------------------|-------------|------------------|-----------------------|
| 9002CLWM     | Claremont (requires slip set)           | Antique White Marble | 1555               | 1143        | 190              | 1331                  |
| 9002CLTL     | Claremont (requires slip set)           | Limestone            | 1555               | 1143        | 190              | 1331                  |
| 9000CAWM     | Cavendish Bolection (requires slip set) | Antique White Marble | 1460               | 1320        | 207              | 1270                  |
| 9000CATL     | Cavendish Bolection (requires slip set) | Limestone            | 1460               | 1320        | 207              | 1270                  |
| 9001GEWM     | Georgian Roundel (requires slip set)    | Antique White Marble | 1460               | 1082        | 200              | 1277                  |
| 9001GETL     | Georgian Roundel (requires slip set)    | Limestone            | 1460               | 1082        | 200              | 1277                  |
| 9003GRWM     | Grafton (requires slip set)             | Antique White Marble | 1415               | 1165        | 105              | 1415                  |
| 9003GRTL     | Grafton (requires slip set)             | Limestone            | 1415               | 1165        | 105              | 1415                  |
| 9004VIWM     | Victorian Corbel (requires slip set)    | Antique White Marble | 1525               | 1170        | 250              | 1375                  |
| 9004VITL     | Victorian Corbel (requires slip set)    | Limestone            | 1525               | 1170        | 250              | 1375                  |
| 9005SAWM     | Sandringham (requires slip set)         | Antique White Marble | 1550               | 1220        | 227              | 1325                  |
| 9005SATL     | Sandringham (requires slip set)         | Limestone            | 1550               | 1220        | 227              | 1325                  |

## SLIP SETS

| Product Code | Description               | Finish               |
|--------------|---------------------------|----------------------|
| 934-736      | Slip set for Stone Mantel | Antique White Marble |
| 934-015      | Slip set for Stone Mantel | Limestone            |

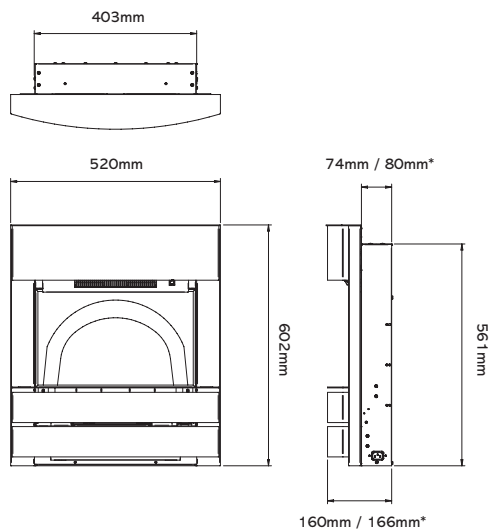
## HEARTHES

| Product Code | Description                   | Finish               | Overall Width (mm) | Height (mm) | Shelf Depth (mm) |
|--------------|-------------------------------|----------------------|--------------------|-------------|------------------|
| 934-241      | Small Hearth for Stone Mantel | Antique White Marble | 1524               | 53          | 228              |
| 934-193      | Small Hearth for Stone Mantel | Limestone            | 1524               | 53          | 228              |
| 934-489      | Large Hearth for Stone Mantel | Antique White Marble | 1625               | 53          | 457              |
| 934-351      | Large Hearth for Stone Mantel | Limestone            | 1625               | 53          | 457              |

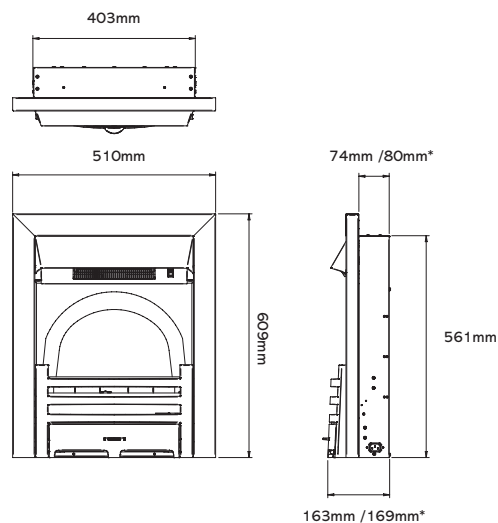
Our stone mantels are crafted from high quality, natural material and therefore will contain naturally occurring veining, subtle tonal differences and indeed, small fossils that may be found in the limestone.

# LOGIC2 ELECTRIC

## PROGRESS FRAME DIMENSIONS



## ARTS, WAVE & CHARTWELL DIMENSIONS



\* The depth of the Logic2 Electric fires are increased by 6mm when using an optional spacer frame.

| Product Code | Front | Frame Finish | Front Finish | Heat Output |
|--------------|-------|--------------|--------------|-------------|
|--------------|-------|--------------|--------------|-------------|

### Arts Fire Information

|         |      |                       |                    |               |
|---------|------|-----------------------|--------------------|---------------|
| 201-005 | Arts | Matt Black            | Matt Black         | 1.00 - 2.00kW |
| 201-038 | Arts | Matt Black            | Brass Effect       | 1.00 - 2.00kW |
| 201-081 | Arts | Matt Black            | Polished Effect    | 1.00 - 2.00kW |
| 201-099 | Arts | Matt Black            | Highlight Polished | 1.00 - 2.00kW |
| 201-132 | Arts | Brass Effect          | Brass Effect       | 1.00 - 2.00kW |
| 201-148 | Arts | Polished Steel Effect | Matt Black         | 1.00 - 2.00kW |
| 201-173 | Arts | Polished Steel Effect | Polished Effect    | 1.00 - 2.00kW |
| 201-197 | Arts | Polished Steel Effect | Highlight Polished | 1.00 - 2.00kW |
| 201-222 | Arts | Brushed Steel Effect  | Matt Black         | 1.00 - 2.00kW |
| 201-236 | Arts | Brushed Steel Effect  | Polished Effect    | 1.00 - 2.00kW |
| 201-401 | Arts | Brushed Steel Effect  | Highlight Polished | 1.00 - 2.00kW |

| Product Code | Front | Frame Finish | Front Finish | Heat Output |
|--------------|-------|--------------|--------------|-------------|
|--------------|-------|--------------|--------------|-------------|

### Wave Fire Information

|         |      |                       |                    |               |
|---------|------|-----------------------|--------------------|---------------|
| 201-416 | Wave | Matt Black            | Matt Black         | 1.00 - 2.00kW |
| 201-504 | Wave | Matt Black            | Brass Effect       | 1.00 - 2.00kW |
| 201-360 | Wave | Matt Black            | Polished Effect    | 1.00 - 2.00kW |
| 201-384 | Wave | Matt Black            | Highlight Polished | 1.00 - 2.00kW |
| 201-688 | Wave | Brass Effect          | Brass Effect       | 1.00 - 2.00kW |
| 201-717 | Wave | Polished Steel Effect | Matt Black         | 1.00 - 2.00kW |
| 201-591 | Wave | Polished Steel Effect | Polished Effect    | 1.00 - 2.00kW |
| 201-828 | Wave | Polished Steel Effect | Highlight Polished | 1.00 - 2.00kW |
| 201-757 | Wave | Brushed Steel Effect  | Matt Black         | 1.00 - 2.00kW |
| 201-269 | Wave | Brushed Steel Effect  | Polished Effect    | 1.00 - 2.00kW |
| 201-323 | Wave | Brushed Steel Effect  | Highlight Polished | 1.00 - 2.00kW |

### Chartwell Fire Information

|         |           |                       |                    |               |
|---------|-----------|-----------------------|--------------------|---------------|
| 201-742 | Chartwell | Matt Black            | Matt Black         | 1.00 - 2.00kW |
| 201-708 | Chartwell | Matt Black            | Brass Effect       | 1.00 - 2.00kW |
| 201-655 | Chartwell | Matt Black            | Polished Effect    | 1.00 - 2.00kW |
| 201-626 | Chartwell | Matt Black            | Highlight Polished | 1.00 - 2.00kW |
| 201-554 | Chartwell | Brass Effect          | Brass Effect       | 1.00 - 2.00kW |
| 201-511 | Chartwell | Polished Steel Effect | Matt Black         | 1.00 - 2.00kW |
| 201-392 | Chartwell | Polished Steel Effect | Polished Effect    | 1.00 - 2.00kW |
| 201-314 | Chartwell | Polished Steel Effect | Highlight Polished | 1.00 - 2.00kW |
| 201-293 | Chartwell | Brushed Steel Effect  | Matt Black         | 1.00 - 2.00kW |
| 201-024 | Chartwell | Brushed Steel Effect  | Polished Effect    | 1.00 - 2.00kW |
| 201-070 | Chartwell | Brushed Steel Effect  | Highlight Polished | 1.00 - 2.00kW |

### Progress Fire Information

|         |          |         |  |               |
|---------|----------|---------|--|---------------|
| 201-103 | Progress | Iridium |  | 1.00 - 2.00kW |
|---------|----------|---------|--|---------------|

## LOGIC2 ELECTRIC OPTIONS

### Logic2 Electric Optional Spacer Frames†

|         |   |
|---------|---|
| 901-815 | Logic2 Electric Arts, Chartwell & Wave Spacer Frame - Black |
| 901-860 | Logic2 Electric Progress Spacer Frame - Graphite            |

† Logic2 Electric Spacer Frames are for use when installing onto a flat wall.

# RIVA 2 670 ELECTRIC

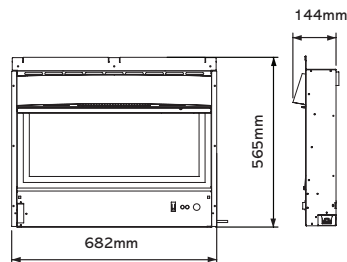
## Fire Information

| Product Code | Fuel Effect | Heat Output   | Opening Size (mm) |     |     |
|--------------|-------------|---------------|-------------------|-----|-----|
|              |             |               | w                 | h   | d   |
| 234-872      | Logs        | 1.00 - 2.00kW | 665               | 535 | 105 |

## Riva2 670 Electric Accessory

|        |   |
|--------|---|
| 8688SL | Wall mounting box for Riva2 670 Electric Cassette 234-872 |
|--------|---|

The wall mounting box allows you to hang your Riva2 670 directly onto the wall, without the need for an opening or recess.



## Frame Information

| Product Code | Description     | Frame Finish                         | Frame Size (mm) |     |    |
|--------------|-----------------|--------------------------------------|-----------------|-----|----|
|              |                 |                                      | w               | h   | d  |
| 934-339      | Designio2 frame | Black Glass                          | 735             | 569 | 40 |
| 934-238      | Designio2 frame | Graphite                             | 735             | 569 | 40 |
| 934-238IR    | Designio2 frame | Iridium                              | 735             | 569 | 40 |
| 934-529      | Evoke frame     | Black Glass front with Graphite rear | 920             | 622 | 41 |
| 934-558      | Evoke frame     | White Glass front with Graphite rear | 920             | 622 | 41 |
| 934-601      | Evoke frame     | Graphite front with Graphite rear    | 920             | 622 | 41 |
| 934-143      | Verve XS frame  | Graphite                             | 1000            | 621 | 56 |



Riva2 670 Electric Verve XS in Graphite

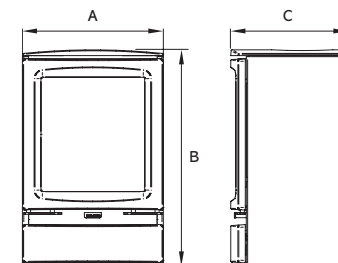
# ELECTRIC STOVES

## VOGUE ELECTRIC

| Product Code | Model        | Colour     | Fuel Effect | Heat Output   |
|--------------|--------------|------------|-------------|---------------|
| 663-806      | Midi         | Matt Black | Logs        | 1.00 - 2.00kW |
| 663-834      | Midi Midline | Matt Black | Logs        | 1.00 - 2.00kW |

## Dimensions (mm)

|              | A   | B   | C   | Weight |
|--------------|-----|-----|-----|--------|
| Midi         | 416 | 639 | 348 | 47kg   |
| Midi Midline | 416 | 791 | 348 | 54kg   |

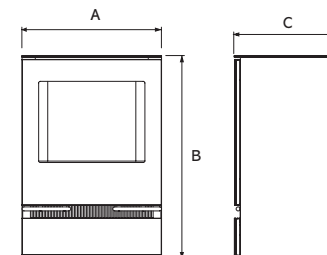


## VISION ELECTRIC

| Product Code | Model  | Finish      | Fuel Effect | Heat Output   |
|--------------|--------|-------------|-------------|---------------|
| 634-680      | Small  | Black Glass | Logs        | 1.00 - 2.00kW |
| 634-733      | Midi   | Black Glass | Logs        | 1.00 - 2.00kW |
| 634-795      | Medium | Black Glass | Logs        | 1.00 - 2.00kW |

## Dimensions (mm)

|        | A   | B   | C   | Weight |
|--------|-----|-----|-----|--------|
| Small  | 370 | 555 | 297 | 24kg   |
| Midi   | 415 | 604 | 317 | 28kg   |
| Medium | 535 | 676 | 363 | 38kg   |

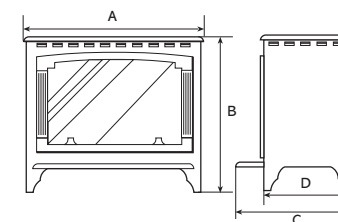


## MARLBOROUGH2 ELECTRIC

| Product Code | Model  | Colour     | Fuel Effect | Heat Output   |
|--------------|--------|------------|-------------|---------------|
| 659-019      | Small  | Matt Black | Logs        | 1.00 - 2.00kW |
| 659-033      | Medium | Matt Black | Logs        | 1.00 - 2.00kW |

## Dimensions (mm)

|        | A   | B   | C   | D   | Weight |
|--------|-----|-----|-----|-----|--------|
| Small  | 429 | 558 | 355 | 280 | 35kg   |
| Medium | 600 | 583 | 406 | 330 | 48kg   |



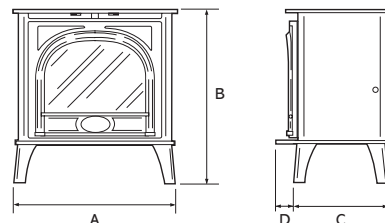
## ELECTRIC STOVES (CONTINUED)

## STOCKTON / STOCKTON2 ELECTRIC

| Product Code | Model  | Colour     | Fuel Effect | Heat Output   |
|--------------|--------|------------|-------------|---------------|
| 604-074      | Small  | Matt Black | Logs        | 1.00 - 2.00kW |
| E8575        | 5      | Matt Black | Logs        | 1.00 - 2.00kW |
| 604-095      | Medium | Matt Black | Logs        | 1.00 - 2.00kW |

## Dimensions (mm)

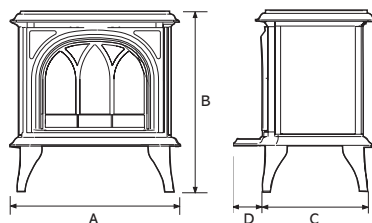
|        | A   | B   | C   | D  | Weight |
|--------|-----|-----|-----|----|--------|
| Small  | 438 | 525 | 289 | 49 | 57kg   |
| 5      | 481 | 544 | 273 | 64 | 55kg   |
| Medium | 601 | 616 | 347 | 65 | 82kg   |



## HUNTINGDON ELECTRIC

## Dimensions (mm)

|    | A   | B   | C   | D  | Weight |
|----|-----|-----|-----|----|--------|
| 20 | 413 | 536 | 324 | 62 | 35kg   |
| 30 | 560 | 592 | 351 | 96 | 52kg   |
| 40 | 641 | 653 | 397 | 99 | 59.5kg |



| Product Code | Model | Colour       | Fuel Effect | Door Type | Heat Output   |
|--------------|-------|--------------|-------------|-----------|---------------|
| 615-461      | 20    | Matt Black   | Logs        | Tracery   | 1.00 - 2.00kW |
| 615-483      | 20    | Matt Ivory   | Logs        | Tracery   | 1.00 - 2.00kW |
| 615-495      | 20    | Ivory Enamel | Logs        | Tracery   | 1.00 - 2.00kW |
| 615-475      | 20    | Matt Black   | Logs        | Clear     | 1.00 - 2.00kW |
| 615-508      | 20    | Matt Ivory   | Logs        | Clear     | 1.00 - 2.00kW |
| 615-581      | 20    | Ivory Enamel | Logs        | Clear     | 1.00 - 2.00kW |
| E8503        | 30    | Matt Black   | Logs        | Tracery   | 1.00 - 2.00kW |
| 615-567      | 30    | Matt Ivory   | Logs        | Tracery   | 1.00 - 2.00kW |
| E8503IV      | 30    | Ivory Enamel | Logs        | Tracery   | 1.00 - 2.00kW |
| 615-552      | 30    | Matt Black   | Logs        | Clear     | 1.00 - 2.00kW |
| 615-564      | 30    | Matt Ivory   | Logs        | Clear     | 1.00 - 2.00kW |
| 615-573      | 30    | Ivory Enamel | Logs        | Clear     | 1.00 - 2.00kW |
| 615-501      | 40    | Matt Black   | Logs        | Tracery   | 1.00 - 2.00kW |
| 615-514      | 40    | Matt Ivory   | Logs        | Tracery   | 1.00 - 2.00kW |
| 615-527      | 40    | Ivory Enamel | Logs        | Tracery   | 1.00 - 2.00kW |
| 615-520      | 40    | Matt Black   | Logs        | Clear     | 1.00 - 2.00kW |
| 615-536      | 40    | Matt Ivory   | Logs        | Clear     | 1.00 - 2.00kW |
| 615-545      | 40    | Ivory Enamel | Logs        | Clear     | 1.00 - 2.00kW |

## RIVA BENCHES (suitable for Vision &amp; Vogue stoves)



Vision Small Electric on Riva 100 High Bench

- 2 heights
- 5 lengths
- Sturdy steel construction
- Durable Matt Black finish
- 60mm wide legs

45 High  
(450 x 350 x 420mm)100 High  
(1000 x 350 x 420mm)120 High  
(1200 x 350 x 420mm)

## Riva Bench - Low

- 45 Low..... RVACLB45B
- 100 Low... RVACLB100B
- 120 Low... RVACLB120B
- 140 Low... RVACLB140B
- 180 Low... RVACLB180B

45 Low  
(450 x 250 x 420mm)100 Low  
(1000 x 250 x 420mm)120 Low  
(1200 x 250 x 420mm)

## Riva Bench - High

- 45 High..... RVACB45B
- 100 High... RVACB100B
- 120 High... RVACB120B
- 140 High... RVACB140B
- 180 High... RVACB180B

140 Low  
(1400 x 250 x 420mm)180 Low  
(1800 x 250 x 465mm)140 High  
(1400 x 350 x 420mm)180 High  
(1800 x 350 x 465mm)

Dimensions:  
width x height x depth



Huntingdon 40 Electric with Tracery Door in Matt Black

# SKOPE AND RADIANCE ELECTRIC FIRES



*Radiance 150W Glass in Black Glass*

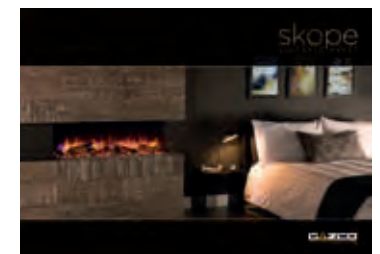


*Skope 70W Outset with Log & Pebble fuel effects*

The Gazco Electric fire collection also features the Skope and Radiance ranges, which feature advanced LED flame and lighting technology for stunning, atmospheric visuals.

Offering captivating, realistic flame pictures in a choice of effects and colours, these designer fires are available in either wall mounted or inset versions, as well as a variety of sizes. Skope fires can even be selected in multi-sided models for a superb bespoke installation.

A choice of elegant styling options and fuel effects allow either range to be tailored to your décor – offering the utmost sophistication and style.



For more information on the full Skope and Radiance ranges or other Gazco products, please contact your local retailer or visit [www.gazco.com](http://www.gazco.com)



Skope 110W Trento Left Offset with Log & Pebble fuel effect



Studio Electric Inset 150



Huntingdon 40 Electric with Clear Door in Matt Black



Gazco Limited, Osprey Road, Sowton Industrial Estate, Exeter, Devon, England EX2 7JG • **Tel:** 01392 261900  
**Fax:** 01392 444148 • **Export Sales:** 00 44 1392 261990 • **Email:** info@gazco.com • **www.gazco.com**



Gazco pursue a policy of continuous product improvement, therefore, whilst our products are correct at the time of the photography, we reserve the right to make alterations and amendments. Exact product details should be discussed with your retailer at the time of purchase.

Gazco gratefully acknowledges the assistance of the following companies with photographic settings:

www.amara.com; www.furniturevillage.co.uk; www.lauraashley.com; www.faginsantiques.com; www.theorangetree.co.uk; www.habitat.co.uk; www.houseoffraser.co.uk;  
 www.ashorejewellery.co.uk; www.eclectique.co.uk; www.debenhams.com; www.next.co.uk; www.mokodirect.co.uk; www.marksandspencer.com; www.rockettstgeorge.co.uk;  
 www.frenchconnection.com; www.wayfair.co.uk; www.urbanoutfitters.com/uk; www.tkmxx.com; www.homesense.com; www.johnlewis.com; www.coxandcox.co.uk; www.urbanara.co.uk;  
 www.amoslighting.co.uk; www.stovax.com; www.farmington.co.uk; www.bnsp.co.uk; www.grandisson.com; www.rudloe-stone.com; www.beechbros.co.uk; www.originalstyle.com;  
 www.heavitreeradio.co.uk; www.stbridgetnursery.co.uk; www.easyart.com; www.woofenden.com; www.amtico.com; www.opiesuk.co.uk; www.graceandgloryhome.co.uk;  
 www.chunkymonkeyfurniture.co.uk; www.wallsandfloors.co.uk; www.desenio.co.uk.

Paper sourced from sustainable forests and printed using vegetable based inks. © Copyright Gazco Ltd 2018 E & O E

## FIND YOUR RETAILER

You can find your nearest retailer by visiting:  
[www.gazco.com/find-a-retailer](http://www.gazco.com/find-a-retailer)



Your Gazco stockist:

£3.00

Brochure ref: GZELECTRIC0918

