

**STOVAX**  
*Fire Your Imagination*

# Elise Fires

and Freestanding Stoves



# The Future Of Fire...

Designing a fire that essentially redefines what it means to burn cleanly requires a wholly **fresh approach**, which is why the Stovax Elise is very different.

Featuring unique airflow dynamics that facilitate **highly efficient**, state of the art combustion systems, the Elise range of cassette and freestanding fires produces magnificent rolling flames and ample warmth. **Lowering emissions** to an absolute minimum, their progressive design makes them not only some of today's cleanest burning, carbon neutral fires, but also compliant with the future Ecodesign low emission standards for 2022.

The sum of over **35 years of British design and engineering**, the Elise is a **contemporary fire range** at the pinnacle of **clean burning performance**.

**STOVAX**  
*Fire Your Imagination*



Cover Image: Elise Glass 680 woodburning with Edge+ 3 sided frame







# The Elise

---

Peace of Mind .....	06
Designed For Our Environment .....	08
Precision Performance Cassette Fires .....	10
Elise Size Options .....	13
Individual Styling .....	14
Elise Edge .....	16
Elise Edge+ .....	18
Elise Profil .....	20
Elise Expression .....	22
Elise Evoke Steel .....	24
Freestanding Elise .....	26
Freestanding Elise 540 .....	28
Freestanding Elise 540T .....	30
Freestanding Elise 540T Wall Mounted .....	32
Freestanding Elise 680 .....	34
Technical Information - Cassette Fires .....	36
Technical Information - Freestanding Stoves ...	38
Exceeding Ecodesign .....	40
Additional Information .....	43

---



# Peace Of Mind

Choosing a fire for your home shouldn't be complicated. We want you to enjoy the excitement and anticipation from the moment you pick up this brochure to the first time you light your kindling, and for many years after! That's why we have carefully selected Expert Retailers to help you.

## EXPERT RETAILER NETWORK

We take great care to ensure that our fires and stoves are designed, tested and manufactured to the highest possible quality and safety standards. We are just as concerned that they are sold and installed correctly so that you enjoy years of pleasure from your purchase.

Accordingly, you will find our products are only available from experienced, independent retailers who will be happy to show you a selection of models locally in their showrooms, often fully operational. These independent retailers will discuss your individual requirements both technical (such as sizing the heat output to your room and advising on your chimney system) and visual, ensuring you select the most appropriate product for your home. They will also be able to advise on, or assist with, the installation process and help provide any after-sales support as well as servicing that your appliance may require in the future.

Whilst we encourage our retailers to promote fireplace products and their outlets via the internet, we do not believe suitable levels of customer care and satisfaction can be obtained from purchasing the product only online. We would strongly recommend that you consider this when undertaking your research and making a purchasing decision. Furthermore, please be aware that we do not offer technical support (beyond our statutory responsibilities) to products bought via nationwide online sales, where this support would normally be offered by one of our qualified, independent retailers.

## EXTENDED WARRANTY

When you choose an Elise fire or stove, quality and technology are assured. Accordingly, when you purchase your new fire from a Stovax Expert Retailer they will provide you with a Two Year Warranty. This can then be extended to a Five Year Warranty provided your Elise is registered with Stovax. Fires purchased outside Stovax's Expert Retailer Network will carry a standard One Year Warranty. Further details of this warranty are on page 43.





# Designed For Our Environment

## ECODESIGN READY STOVES & FIRES

We have always strived to create standout stoves and fires that not only provide superior flame visuals, but also minimise our environmental impact. Our advanced Cleanburn technology is the result of 35 years of experience and development, with many of our products approved for use in urban environments which are typically DEFRA smoke restricted areas.

However, producing DEFRA exempt appliances is only the beginning. New Ecodesign regulations are coming into force in 2022 to ensure appliances are friendly to both the environment and our health, paving the way to a truly sustainable future.

With this in mind, we have developed the Elise as a high efficiency, greener range which proudly bears the SIA Ecodesign Ready label. But the Elise range doesn't simply meet Ecodesign limits, it goes much further. Some models in the range burn so cleanly that emissions are minimised to as little as a fifth of the forthcoming 2022 levels.

The Elise's advanced combustion system isolates air management in the specially designed base of the fire, so that airflow is calibrated precisely to ensure a far more complete burning process than standard fires can ever achieve. The result is significantly less flue gases that impact air quality, including Carbon Monoxide (CO), Nitrogen Oxide (NOx), Organic Gaseous Compounds (OGC), and Particulate Matter (PM).

We believe this is the future of solid fuel heating, which is why we have decided to design and develop one of the cleanest burning stove and fire ranges – the Elise.



## WOOD OR SMOKELESS FUEL

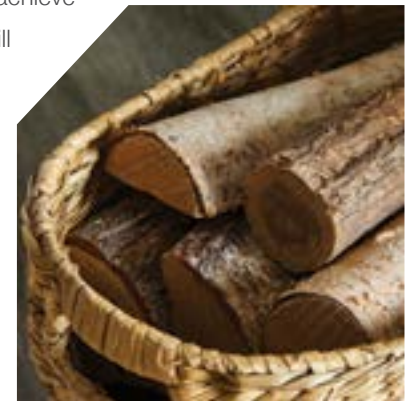
Elise 540, 540T and 680 cassette and freestanding models are available in multi-fuel versions, which will allow you to burn either logs or smokeless fuel to suit your lifestyle.

## THE BENEFITS OF WOODBURNING

All Elise fires and stoves, including multi-fuel versions, are designed to burn wood with high efficiency. Wood is an environmentally friendly fuel; when burnt, the carbon dioxide released into the atmosphere is approximately the same as that absorbed by the tree during growth, making it carbon neutral. It is also a renewable resource, particularly when derived from plantations and cultivated woodland.



For optimum results, we recommend logs should be seasoned for two years or more to achieve a moisture content below 20%. This will not only give a higher heat output than that of freshly felled timber but will also help to avoid a build-up of tar in your flue. Hardwood logs are better still, as they will have a greatly increased calorific value in comparison to softwoods.





## SMOKE CONTROL AREA APPROVAL

Many town and city homes are located in Smoke Control Areas as designated by the 1993 Clean Air Act. The Elise 540, 540T and 680 stoves and fires have been approved for the burning of wood in these areas, meaning that even the most urban of homes can benefit from this environmentally friendly fuel source.



## CE MARKED & HETAS ACCREDITED



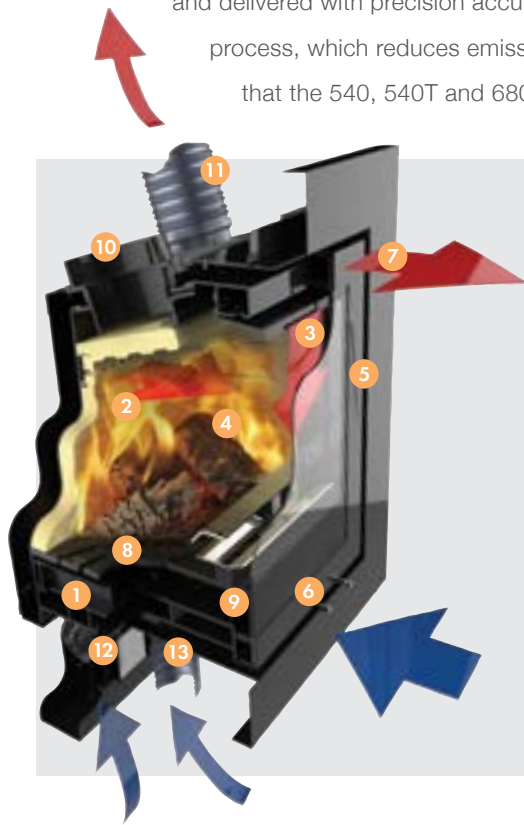
All stoves and fires in the Elise range are CE Marked. This means they have been independently tested to exacting European standards for both heating efficiency and emissions. In addition, they have also been accredited by HETAS, the UK's official body recognised by the government to approve solid fuel domestic heating appliances.



# Precision Performance Cassette Fires



Every Stovax stove and fire is characterised by a precise balance of efficiency, performance and user control. The Elise is the result of these elements being taken to new levels, to create a solid fuel fire at the forefront of innovation. Utilising a series of advanced plenum chambers coupled with powerful air jets, airflow is instantly adjusted and delivered with precision accuracy to multiple areas of the tapered firebox. This technology facilitates the Elise's ultra-green, Ecodesign combustion process, which reduces emissions to remarkably low amounts whilst maintaining high levels of thermal efficiency. The Elise's eco-friendly design means that the 540, 540T and 680 models are DEFRA smoke control zone exempt, making them an excellent choice for rural and urban homes alike.



## ELISE KEY DESIGN FEATURES

1. Unique plenum chambers manage exactly calibrated airflows
2. Air jets deliver precision airflow for the cleanest possible combustion
3. Powerful Airwash ensures a clear view of flames
4. Scaloped, high density thermal brick liner system
5. Airtight door with twin latch dampened mechanism for easy closing
6. Easy to use air controls for instant adjustment of flame visual and heat
7. Convected and radiant heat delivery
8. External riddling grate (multi-fuel models)
9. Removable ashpan (multi-fuel models)
10. Easy fit flue connection through cassette
11. Warm air ducting kit (optional)
12. Fan assisted convection kit (optional)
13. Sealed external air supply (optional)



## SEALED EXTERNAL AIR SUPPLY

Designed from conception to be airtight, Elise fires can be optionally installed with a dedicated external air supply, meaning the Elise does not need to draw any oxygen from the room. This potentially negates the need for an additional air vent, therefore minimising drafts.



## FAN ASSISTED CONVECTION KIT

Installing an optional fan kit with your Elise fire helps circulate convection air, increasing burning efficiency and improving heat delivery into the room. With both manual and automatic settings, the fan kit is conveniently operated by the Elise Control Panel.

## WARM AIR DUCTING KIT

With the addition of the warm air ducting kit, Elise fires are capable of heating up to two additional living spaces, allowing you to truly make the most of your fire and reduce your reliance on your central heating system.





# Elise Size Options

The Elise's range of sizes and heat outputs lets you easily choose the fire that suits your heating requirements, whether you opt for a cassette fire or freestanding stove.

Once you have decided on the size and type of your Elise, you can then choose how to style your fire to suit your home, with various options including door fronts and cassette fire frames listed overleaf. This brochure is divided into cassette fires (pages 14 – 25), which is organised by frame style, and freestanding stoves (pages 26 – 35).

## SIZE CHOICES

ELISE 540

ELISE 540T

ELISE 680

ELISE 850

Heat Output	Nominal: 5.0kW Range: 3.0 - 7.0kW	Nominal: 5.0kW Range: 3.0 - 7.0kW	Nominal: 7.0kW - 8.0kW* Range: 4.0 - 11.0kW	Nominal: 9.0kW Range: 5.0 - 12.0kW
Energy Efficiency Class	<b>A+</b>	<b>A</b>	<b>A</b>	<b>A</b>
Maximum Efficiency	83%	79%	79%	75%
Wood & Multi-fuel models	✓	✓	✓	Wood only
Smoke Control Exempt	✓	✓	✓	-
Maximum Log Length	330mm	330mm	500mm	600mm
Recommended Log Length	250mm	250mm	330mm	330mm
Firebox Dimensions (w x h x d)	540 x 550 x 350mm	540 x 720 x 350mm	680 x 550 x 395mm	850 x 630 x 395mm
Flue Connection (internal diameter)	153mm (6")	153mm (6")	153mm (6")	153mm (6")
Freestanding model available	✓	✓	✓	-
Room vent not normally required**	✓	✓	-	-

\*For further fire information see page 36.

\*\*For further information on room vents, please see page 36.



ELISE 540



ELISE 540T



ELISE 680



ELISE 850

# Individual Styling

## CASSETTE FRAMING CHOICES

Elise cassette fires are presented in a variety of framing styles including four sided frames for elevated installations, and three sided frames for hearth mounted installations. Shown in detail throughout the cassette section of this brochure, these frames illustrate the different ways your Elise fire can create not only a stunning centrepiece in your home but one that reflects your individuality. Using the Edge kit that comes with the fire, Elise cassettes can also be installed without a frame for a stylish hole-in-the-wall look.



EDGE ..... P16



EDGE+ ..... P18



PROFIL ..... P20



EXPRESSION ..... P22



EVOKE STEEL ..... P24



THREE OR FOUR SIDED FRAMES

FOUR SIDED FRAMES

## VIEW THE VIDEO

To experience the Elise range's superb flame visuals and elegant styling, view our short showcase video at [www.stovax.com/elise](http://www.stovax.com/elise). Alternatively you can visit your local expert retailer.



## GLASS OR STEEL DOORS

All Elise fires and stoves can be selected as either Glass or Steel versions depending on your tastes. For a striking aesthetic, the Elise Glass models offer a sleek black glass door which dramatically contrasts with the fire's stunning flame visuals.



STEEL

GLASS



# Elise Edge

 [View the Video](http://www.stovax.com/elise)  
www.stovax.com/elise



Elise Steel 540 Edge Multi-fuel burning logs.  
Also shown: Stovax Highline Log Store

Capturing minimalist styling and clean modernity, the frameless Edge integrates seamlessly with your surrounding décor, creating a breathtaking hole-in-the-wall focal point.

All Elise fires are ready to install as a frameless Edge, and allow the surrounding wall to be plastered or tiled right up to the fire, whether on the hearth or elevated further up the wall.

See page 12 for further image.

	Nominal Heat Output & Range	Recommended Log Length	Maximum Log Length	Edge Dimensions (w x h)
Elise 540	5kW (3-7kW)	250mm	330mm	530 x 550mm
Elise 540T	5kW (3-7kW)	250mm	330mm	530 x 720mm
Elise 680	7kW-8kW* (4-11kW)	330mm	500mm	670 x 550mm
Elise 850	9kW (5-12kW)	330mm	600mm	840 x 630mm

\*For further fire information see page 36





Elise Glass 850 Edge woodburning with Burrt Sienna Fireplace Tile Surround.  
Also shown: Stovax Small Curved Log Holder



Elise Steel 540T woodburning with Four Sided Edge+ Frame.  
Also shown: Stovax Contemporary Fire Tools and Wall Bracket.

# Elise Edge+

 [View the Video](http://www.stovax.com/elise)  
www.stovax.com/elise



Elise Glass 680 woodburning with  
Three Sided Edge+ Frame.

Offering increased flexibility, the Edge+ continues the minimalist styling of the original Edge design but allows for easier finishing.

Available in both 3 sided and 4 sided versions, the Edge+ adds an extremely narrow trim which overlays the finished wall surface, preserving the hole-in-the-wall style and creating a clean border around all Elise sizes.

See page 37 and Front Cover for additional images.

	Nominal Heat Output & Range	Recommended Log Length	Maximum Log Length	3 Sided Edge+ Dimensions (WxHxD)	4 Sided Edge+ Dimensions (WxHxD)
Elise 540	5kW (3-7kW)	250mm	330mm	571 x 569 x 3mm	571 x 588 x 3mm
Elise 540T	5kW (3-7kW)	250mm	330mm	571 x 739 x 3mm	571 x 758 x 3mm
Elise 680	7kW-8kW* (4-11kW)	330mm	500mm	711 x 569 x 3mm	711 x 588 x 3mm
Elise 850	9kW (5-12kW)	330mm	600mm	881 x 649 x 3mm	881 x 668 x 3mm

\*For further fire information see page 36



# Elise Profil

 [View the Video](http://www.stovax.com/elise)  
www.stovax.com/elise



Elise Glass 850 woodburning with Three Sided Profil Frame. Also shown Stovax Large Radius Log Holder.



With its subtle styling and sophisticated Metallic Black finish, the Profil frame complements the Elise's clean, elegant lines and fits effortlessly with almost any interior.

This adaptable frame is available in both 3 sided and 4 sided options, allowing for either hearth mounted or elevated installations.

See pages 4, 11 & 42 for further images.

	Nominal Heat Output & Range	Recommended Log Length	Maximum Log Length	3 Sided Profil Dimensions (WxHxD)	4 Sided Profil Dimensions (WxHxD)
Elise 540	5kW (3-7kW)	250mm	330mm	631 x 599 x 38mm	631 x 648 x 38mm
Elise 540T	5kW (3-7kW)	250mm	330mm	631 x 769 x 38mm	631 x 818 x 38mm
Elise 680	7kW-8kW* (4-11kW)	330mm	500mm	771 x 599 x 38mm	771 x 648 x 38mm
Elise 850	9kW (5-12kW)	330mm	600mm	941 x 679 x 38mm	941 x 728 x 38mm

\*For further fire information see page 36



# Elise Expression

 [View the Video](http://www.stovax.com/elise)  
www.stovax.com/elise



Elise Glass 680 Expression woodburning

The Expression completes the Elise with a wide, eye-catching frame, enhancing the fire's already impressive presence. Instantly creating a distinctive focal feature, the Elise Expression demonstrates bold but tasteful style in any interior.

This 4 sided surround is available for all Elise cassettes, perfectly encapsulating the contemporary styling of the range.

	Nominal Heat Output & Range	Recommended Log Length	Maximum Log Length	Expression Dimensions (w x h x d)
Elise 540	5kW (3 - 7kW)	250mm	330mm	727 x 744 x 38mm
Elise 540T	5kW (3 - 7kW)	250mm	330mm	727 x 914 x 38mm
Elise 680	7kW - 8kW* (4 - 11kW)	330mm	500mm	867 x 744 x 38mm
Elise 850	9kW (5 - 12kW)	330mm	600mm	1037 x 824 x 38mm

\*For further fire information see page 36

# Elise Evoke Steel

 [View the Video](http://www.stovax.com/elise)  
www.stovax.com/elise



Elise Glass 850 Evoke Steel woodburning

Adding a profiled surround, the Evoke Steel frame combines with the Elise to instantly transform any interior.

With its dual steel layering, this frame combines a two-part, four sided design to create a sophisticated, statement style that lends a stunning finish to all cassette fires in the Elise range.

See page 15 for further image.

	Nominal Heat Output & Range	Recommended Log Length	Maximum Log Length	Evoke Steel Dimensions (w x h x d)
Elise 540	5kW (3 - 7kW)	250mm	330mm	792 x 809 x 38mm
Elise 540T	5kW (3 - 7kW)	250mm	330mm	792 x 1051 x 38mm
Elise 680	7kW - 8kW* (4 - 11kW)	330mm	500mm	1004 x 809 x 38mm
Elise 850	9kW (5 - 12kW)	330mm	600mm	1174 x 889 x 38mm

\*For further fire information see page 36







# Freestanding Elise Stoves



Freestanding Elise stoves feature the range's signature tapered firebox and precision airflow systems, ensuring combustion air is delivered to key areas of the firebox for a complete burn. Engineered to exacting tolerances, these contemporary stoves produce minimal smoke emissions and are Ecodesign Ready and DEFRA smoke control exempt – making them suitable for your home wherever you live.

Freestanding Elise stoves can be selected in 540, 540T and 680 sizes, in either woodburning or multi-fuel versions, to suit your requirements. Each stove can be installed directly on the hearth or mounted on a plinth for a slight elevation. In addition, our stylish range of stove benches presents further contemporary mounting options, which perfectly complement the Freestanding Elise range.



## ELISE KEY DESIGN FEATURES

- 1 Unique plenum chambers manage precisely calibrated airflows
- 2 Air jets deliver precision airflow for the cleanest possible combustion
- 3 Powerful Airwash ensures a clear flame view
- 4 Scalloped, high density thermal brick liner system
- 5 Airtight door with twin latch dampened mechanism for easy closing
- 6 Easy to use air controls for instant adjustment of flame visual and heat
- 7 Convected and radiant heat delivery
- 8 External riddling grate (multi-fuel models)
- 9 Removable ashpan (multi-fuel models)
- 10 Optional dedicated external air supply
- 11 Optional plinth
- 12 Top or rear flue exit

## DEDICATED EXTERNAL AIR SUPPLY

Elise fires can be installed with an optional dedicated external air supply, ensuring they draw combustion oxygen from the outside of your home instead of the room. This potentially negates the need for an additional air vent and minimises internal drafts\*.

\* For further fire information see page 38  
† Subject to official listing

## GLASS OR STEEL DOORS



STEEL GLASS

Freestanding Elise Stoves are available in either Glass or Steel door models. Glass models feature lustrous black glass that surrounds the viewing window for an ultra-modern, eye-catching styling choice.



ONE MAN'S EPIC JOURNEY TO DISCOVER SPAIN



# Freestanding Elise 540

 [View the Video](http://www.stovax.com/elise)  
www.stovax.com/elise



Freestanding Elise Glass 540 woodburning with Black Gloss Flue Pipe

Providing a 5kW heat output at an exceptional 83% thermal efficiency, the Freestanding 540 can easily heat standard sized rooms and living spaces. This state of the art, contemporary styled stove can be selected as a woodburning or multi-fuel model with either a Glass or Steel front.

	Nominal Heat Output & Range	Recommended Log Length	Maximum Log Length	Dimensions (w x h x d)
Elise 540	5kW* (3 - 7kW)	250mm	330mm	543 x 560 x 395mm

\* For further freestanding information see page 38

# Freestanding Elise 540T

 [View the Video](http://www.stovax.com/elise)  
www.stovax.com/elise



Freestanding Elise Steel 540T multi-fuel burning logs

The 540T's portrait firebox and advanced air systems ensure soaring flame visuals, along with a highly efficient 5kW heat output. This bold contemporary stove can be styled with a range of options, including a Glass or Steel door front as well as a matching plinth base option. Additionally, the Freestanding 540T can be combined with a Stovax stove bench for a stunning centrepiece.

	Nominal Heat Output & Range	Recommended Log Length	Maximum Log Length	Dimensions (w x h x d)
Elise 540T	5kW* (3 - 7kW)	250mm	330mm	543 x 730 x 395mm

\* For further fire information see page 38

See page 7 for further image.



Freestanding Elise Glass 540T multi-fuel burning logs

# Freestanding Elise 540T Wall Mounted



Freestanding Elise Steel 540T multi-fuel burning logs with optional wall mounting bracket

The Freestanding 540T is available as a wall-mounted stove for a stylishly alternative installation. With the choice of either Glass or Steel door options, as well as a top or rear flue, Freestanding 540T woodburning and multi-fuel models can easily be adapted to suit your interior tastes.

	Nominal Heat Output & Range	Recommended Log Length	Maximum Log Length	Dimensions (w x h x d)
Elise 540T	5kW* (3 - 7kW)	250mm	330mm	543 x 730 x 433mm

\* For further fire information see page 38







Freestanding Elise Glass 540T woodburning with optional wall mounting bracket

# Freestanding Elise 680

 [View the Video](http://www.stovax.com/elise)  
www.stovax.com/elise



Freestanding Elise Steel 680 woodburning with plinth

Featuring an expansive viewing window for a spectacular flame picture, the Freestanding 680 offers a powerful 7kW of heat output in an eye-catching, landscape form. This versatile stove has the option of either a Glass or Steel front and can be hearth mounted or styled with a matching plinth or stove bench.

See page 39 and Back Cover for further images.

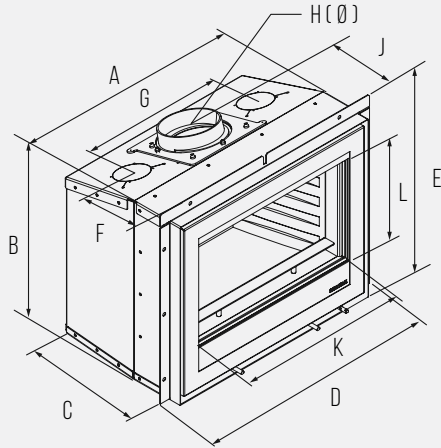
	Nominal Heat Output & Range	Recommended Log Length	Maximum Log Length	Dimensions (w x h x d)
Elise 680	7kW* (4 - 11kW)	330mm	500mm	683 x 560 x 440mm

\* For further fire information see page 38

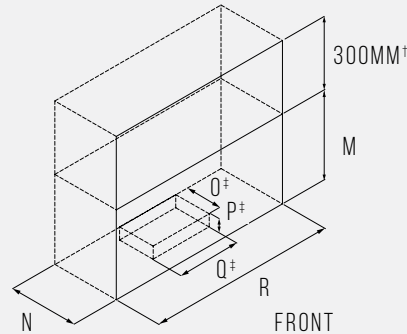


# Technical Information - Cassette Fires

## CASSETTE DIMENSIONS



## OPENING DIMENSIONS



	ELISE 540	ELISE 540T	ELISE 680	ELISE 850
A	540mm	540mm	680mm	850mm
B	550mm	720mm	550mm	630mm
C	350mm	350mm	395mm	395mm
D	604mm	604mm	744mm	914mm
E	588mm	758mm	588mm	668mm
F	203mm	203mm	250mm	250mm
G	380mm	380mm	440mm	500mm
H (Ø)	153mm	153mm	153mm	153mm
J	205mm	205mm	250mm	250mm
K (Flame Viewing Area)	398mm	396.5mm	538mm	708mm
L (Flame Viewing Area)	320.5mm	469.5mm	317.5mm	397.5mm
M	570mm	740mm	570mm	650mm
N	360mm	405mm	405mm	405mm
O	100mm †	100mm †	100mm †	100mm †
P	250mm †	250mm †	250mm †	250mm †
Q	365mm †	365mm †	365mm †	605mm †
R	560mm	700mm	700mm	870mm

† Extra height required when fitting Warm Air Ducting kit.

‡ Not applicable unless a fan kit is required.

## ELISE CASSETTE FIRE INFORMATION & PRODUCT CODES

Product Code	Description	Heat Output	Fuel Type	Efficiency	Energy Efficiency Class
ELS-540-W	Elise Steel 540 Woodburning ✓	5.0kW	Wood	81%	A+
ELS-540-MF	Elise Steel 540 Multi-fuel ✓	5.0kW	Multi-fuel	83%	A+
ELS-540T-W	Elise Steel 540T Woodburning ✓	5.0kW	Wood	77%	A
ELS-540T-MF	Elise Steel 540T Multi-fuel ✓	5.0kW	Multi-fuel	82%	A
ELS-680-W	Elise Steel 680 Woodburning ✓	7.0kW	Wood	77%	A
ELS-680-MF	Elise Steel 680 Multi-fuel ✓	8.0kW	Multi-fuel	79%	A
ELS-850-W	Elise Steel 850 Woodburning	9.0kW	Wood	75%	A
ELS-540-GLW	Elise Glass 540 Woodburning ✓	5.0kW	Wood	81%	A+
ELS-540-GLMF	Elise Glass 540 Multi-fuel ✓	5.0kW	Multi-fuel	83%	A+
ELS-540T-GLW	Elise Glass 540T Woodburning ✓	5.0kW	Wood	77%	A
ELS-540T-GLMF	Elise Glass 540T Multi-fuel ✓	5.0kW	Multi-fuel	82%	A
ELS-680-GLW	Elise Glass 680 Woodburning ✓	7.0kW	Wood	77%	A
ELS-680-GLMF	Elise Glass 680 Multi-fuel ✓	8.0kW	Multi-fuel	79%	A
ELS-850-GLW	Elise Glass 850 Woodburning	9.0kW	Wood	75%	A

✓ Elise fires with this symbol have been approved for use in Smoke Control Area when fitted with the supplied kit

**A HETAS approved installer should undertake a site survey prior to purchase and must install any Elise Fire.** Your Stovax retailer will be able to advise on this and, in particular, the use of high temperature (1300°C) plaster/screed in the area around Elise Cassettes. You may view/download complete installation instructions at our website - [www.stovax.com](http://www.stovax.com).

These diagrams cover some of the basic requirements and are for initial information purposes only. All fires and stoves should be installed by a competent person to the requirement of Building Regulations (Document J) and include the fitting of adequate ventilation to ensure safe use. Usually older buildings do not need any additional ventilation for appliances up to 5kW, but modern houses will need additional ventilation in all cases. Some models can be fitted with a dedicated external air supply, offering a discreet and draught reducing solution to standard room venting.

# Frame Information

Supplied as an Edge, each model can also be upgraded with the frame options below.

## ELISE 540 FRAME DIMENSIONS (MM) & PRODUCT CODES

Product Code	Description	Width	Height	Depth
ELS-540-FEPLUS3	Edge+ (3 Sided)	571	569	3
ELS-540-FEPLUS4	Edge+ (4 Sided)	571	588	3
ELS-540-FPRO3B	Profil (3 Sided)	631	599	38
ELS-540-FPRO4B	Profil (4 Sided)	631	648	38
ELS-540-FEXP4	Expression (4 Sided)	727	744	38
ELS-540-FEV	Evoke Steel (4 Sided)	792	810	38

## ELISE 540T FRAME DIMENSIONS (MM) & PRODUCT CODES

Product Code	Description	Width	Height	Depth
ELS-540T-FEPLUS3	Edge+ (3 Sided)	571	739	3
ELS-540T-FEPLUS4	Edge+ (4 Sided)	571	758	3
ELS-540T-FPRO3B	Profil (3 Sided)	631	769	38
ELS-540T-FPRO4B	Profil (4 Sided)	631	818	38
ELS-540T-FEXP4	Expression (4 Sided)	727	914	38
ELS-540T-FEV	Evoke Steel (4 Sided)	792	1051	38

## ELISE 680 FRAME DIMENSIONS (MM) & PRODUCT CODES

Product Code	Description	Width	Height	Depth
ELS-680-FEPLUS3	Edge+ (3 Sided)	711	569	3
ELS-680-FEPLUS4	Edge+ (4 Sided)	711	588	3
ELS-680-FPRO3B	Profil (3 Sided)	771	599	38
ELS-680-FPRO4B	Profil (4 Sided)	771	648	38
ELS-680-FEXP4	Expression (4 Sided)	867	744	38
ELS-680-FEV	Evoke Steel (4 Sided)	1003	807	38

## ELISE 850 FRAME DIMENSIONS (MM) & PRODUCT CODES

Product Code	Description	Width	Height	Depth
ELS-850-FEPLUS3	Edge+ (3 Sided)	881	649	3
ELS-850-FEPLUS4	Edge+ (4 Sided)	881	668	3
ELS-850-FPRO3B	Profil (3 Sided)	941	679	38
ELS-850-FPRO4B	Profil (4 Sided)	941	728	38
ELS-850-FEXP4	Expression (4 Sided)	1037	824	38
ELS-850-FEV	Evoke Steel (4 Sided)	1174	890	38



Elise Steel 850 woodburning with Three Sided Edge+ Frame

## ELISE CASSETTE FIRE ACCESSORY PRODUCT CODES

Product Code	Description
ELS-ABASE-SM	Outside Air Kit - Base Fitting - Elise 540 & 540T†
ELS-AREAR-SM	Outside Air Kit - Rear Fitting - Elise 540 & 540T
ELS-ABASE-LG	Outside Air Kit - Base Fitting - Elise 680 & 850†
ELS-AREAR-LG	Outside Air Kit - Rear Fitting - Elise 680 & 850
RVST-500FAN	Fan Assisted Convection Kit - Elise 540, 540T & 680*
RVST-SFAN	Fan Assisted Convection Kit - Elise 850*
8572	Warm Air Ducting Kit - suitable for all Elise fires

\* Fan Assisted Convection Kits NOT suitable for hearth mounted installations.

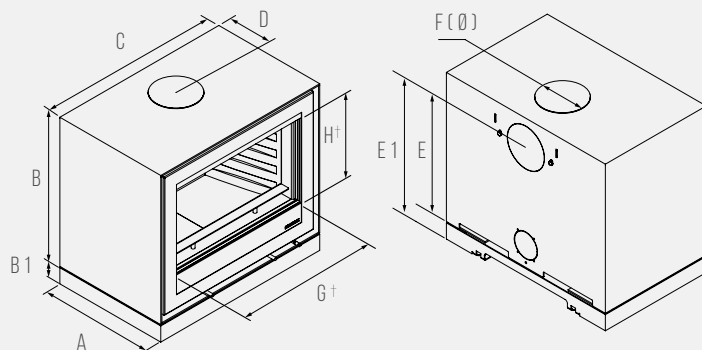
† An outside Air Kit with Base Fitting must be used when the fire is also fitted with a Fan Assisted Convection Kit.

# Technical Information - Freestanding Stoves

## FREESTANDING ELISE STOVE DIMENSIONS (MM)

	540	540T	680
A	395	395	440
B	560	730	560
B1*	65	65	65
C	543	543	683
D	164.5	165	164.5
E	451	621	451
E1*	516	686	516
F (∅)	152	152	152
G†	398	396.5	538
H†	320.5	469.5	317.5

\*with optional plinth



† Flame Viewing Area. The raised log bar on multi-fuel models reduces the height of the flame viewing area by 25mm.

## FREESTANDING ELISE STOVE ACCESSORY PRODUCT CODES

Product Code	Description
ELSF-540-PS	Freestanding Elise 540 & 540T Plinth
ELSF-680-PS	Freestanding Elise 680 Plinth
ELSF-540T-WM	Freestanding Elise 540T Wall Mounting Bracket
ELS-ABASE-SM	Elise 540 & 540T Outside Air Base Exit
ELS-AREAR-SM	Elise 540 & 540T Outside Air Rear Exit
ELS-ABASE-LG	Elise 680 Outside Air Base Exit
ELS-AREAR-LG	Elise 680 Outside Air Rear Exit
WDKIT540	Elise 540 & 540T Wood Kit for Multi-fuel models
WDKIT680	Elise 680 Wood Kit for Multi-fuel models

## FREESTANDING ELISE STOVE BENCHES

Product Code	Product	W (mm)	H (mm)	D (mm)
RVACLB100BHT	Bench 100 Low †	1000	250	420
RVACB100BHT	Bench 100 High †	1000	350	420
RVACLB120BHT	Bench 120 Low †	1200	250	420
RVACB120BHT	Bench 120 High †	1200	350	420
RVACLB140BHT	Bench 140 Low †	1400	250	420
RVACB140BHT	Bench 140 High †	1400	350	420
RVACLB180BHT	Bench 180 Low †	1800	250	465
RVACB180BHT	Bench 180 High †	1800	350	465
RVACLB120BHT-DP	Bench 120 Low, (500mm Deep)	1200	250	500
RVACB120BHT-DP	Bench 120 High (500mm Deep)	1200	350	500
RVACLB140BHT-DP	Bench 140 Low, (500mm Deep)	1400	250	500
RVACB140BHT-DP	Bench 140 High, (500mm Deep)	1400	350	500
RVACLB180BHT-DP	Bench 180 Low, (500mm Deep)	1800	250	500
RVACB180BHT-DP	Bench 180 High, (500mm Deep)	1800	350	500

† Not suitable for Elise 680 models

**A HETAS approved installer should undertake a site survey prior to purchase and must install any Freestanding Elise Stove.** You may view/download complete installation instructions at our website - [www.stovax.com](http://www.stovax.com). These diagrams cover some of the basic requirements. All fires and stoves should be installed by a competent person to the requirement of Building Regulations (Document J) and include the fitting of adequate ventilation to ensure safe use. Usually older buildings do not need any additional ventilation for appliances up to 5kW, but modern houses will need additional ventilation in all cases. All models can be fitted with an optional dedicated external air supply, offering a discreet and draught reducing solution to standard room venting. It is important to understand and comply with any additional commissioning requirements when this kit is fitted. The diagrams and dimensions on these pages cover some of the basic requirements and are for initial information purposes only.

## FREESTANDING ELISE STOVE INFORMATION & PRODUCT CODES

Product Code	Description	Heat Output	Fuel Type	Efficiency	Energy Efficiency Class
<b>FREESTANDING ELISE GLASS</b>					
ELSF-540-GLW	Freestanding Elise Glass 540 Woodburning	5.0kW	Wood	81%	A+
ELSF-540-GLMF	Freestanding Elise Glass 540 Multi-fuel	5.0kW	Multi-fuel	83%	A+
ELSF-540T-GLW	Freestanding Elise Glass 540T Woodburning	5.0kW	Wood	77%	A
ELSF-540T-GLMF	Freestanding Elise Glass 540T Multi-fuel	5.0kW	Multi-fuel	79%	A
ELSF-680-GLW	Freestanding Elise Glass 680 Woodburning	7.0kW	Wood	77%	A
ELSF-680-GLMF	Freestanding Elise Glass 680 Multi-fuel	8.0kW	Multi-fuel	79%	A

## FREESTANDING ELISE STEEL

ELSF-540-W	Freestanding Elise Steel 540 Woodburning	5.0kW	Wood	81%	A+
ELSF-540-MF	Freestanding Elise Steel 540 Multi-fuel	5.0kW	Multi-fuel	83%	A+
ELSF-540T-W	Freestanding Elise Steel 540T Woodburning	5.0kW	Wood	77%	A
ELSF-540T-MF	Freestanding Elise Steel 540T Multi-fuel	5.0kW	Multi-fuel	79%	A
ELSF-680-W	Freestanding Elise Steel 680 Woodburning	7.0kW	Wood	77%	A
ELSF-680-MF	Freestanding Elise Steel 680 Multi-fuel	8.0kW	Multi-fuel	79%	A

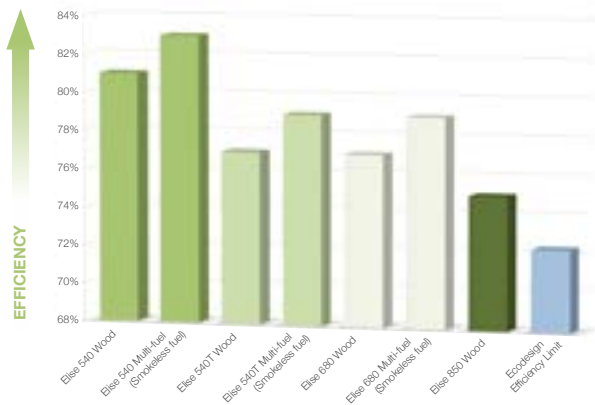
✔ Elise fires with this symbol have been approved for use in Smoke Control Areas when fitted with the supplied kit



# Exceeding Ecodesign

## TOTAL EFFICIENCY - %

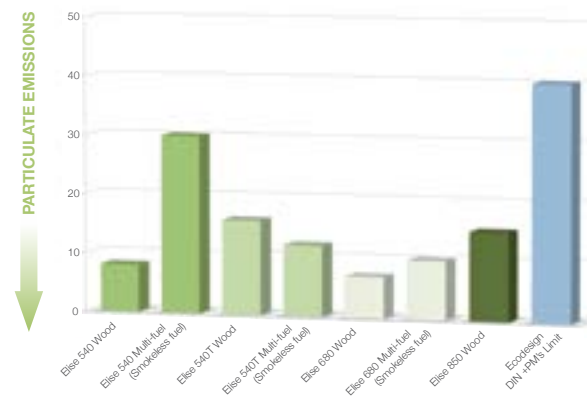
Balancing a fire's efficiency with cleanliness of burning is a precise science, requiring expert craftsmanship and meticulous testing. All Elise stoves and fires focus on delivering the cleanest burn possible whilst still surpassing the 2022 Ecodesign Efficiency target of 72.3%, resulting in a range of truly environmentally friendly fires.



	Efficiency
Elise 540 - Woodburning model	81%
Elise 540 - Multi-fuel model*	83%
Elise 540T - Woodburning model	77%
Elise 540T - Multi-fuel model*	79%
Elise 680 - Woodburning model	77%
Elise 680 - Multi-fuel model*	79%
Elise 850 - Woodburning model	75%
Ecodesign 2022 Efficiency Minimum Target	72.3%

## PM (PARTICULATE MATTER) mg/m<sup>3</sup>

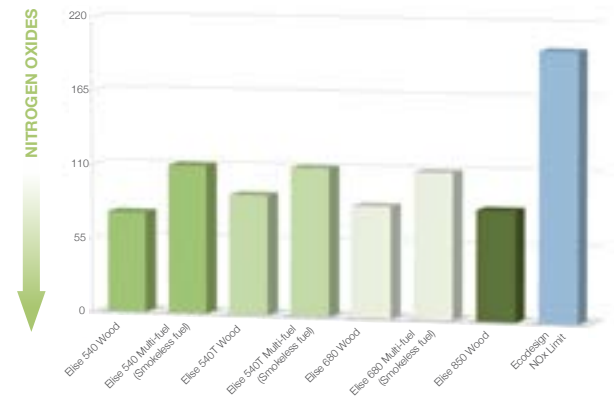
Although PMs are currently measured for UK smokeless zone requirements, the Ecodesign emission levels will be much tighter than those currently permitted for smokeless zones. Elise stoves and fires burn well below future PM targets, with the Elise 540 generating only a fifth of the emissions permitted under Ecodesign.



	mg/m <sup>3</sup>
Elise 540 - Woodburning model	8
Elise 540 - Multi-fuel model*	30
Elise 540T - Woodburning model	16
Elise 540T - Multi-fuel model*	12
Elise 680 - Woodburning model	7
Elise 680 - Multi-fuel model*	10
Elise 850 - Woodburning model	15
Ecodesign 2022 DIN + PM's Limit	40

## NO<sub>x</sub> (NITROGEN OXIDES) mg/m<sup>3</sup>

Nitrogen oxides affect air quality and are another emission requirement under Ecodesign. All models in the Elise range demonstrate NO<sub>x</sub> emissions so low, they are less than 60% of the amount permitted by the proposed 2022 limits, demonstrating the Elise range's extraordinary clean burning capability.



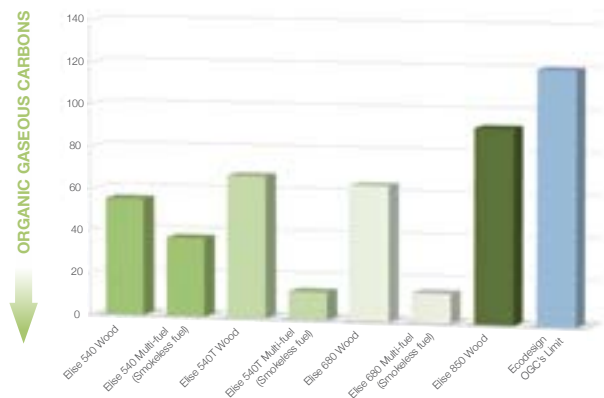
	mg/m <sup>3</sup>
Elise 540 - Woodburning model	74
Elise 540 - Multi-fuel model*	110
Elise 540T - Woodburning model	89
Elise 540T - Multi-fuel model*	110
Elise 680 - Woodburning model	83
Elise 680 - Multi-fuel model*	109
Elise 850 - Woodburning model	82
Ecodesign 2022 NO <sub>x</sub> Limit	200

\*Multi-fuel model figures quoted burning smokeless fuel



## OGCs (ORGANIC GASEOUS COMPOUNDS) $\text{mg}/\text{m}^3$

OGCs are also an important requirement of the forthcoming 2022 Ecodesign standard. And all models in the Elise range fall well below these exacting emission targets.



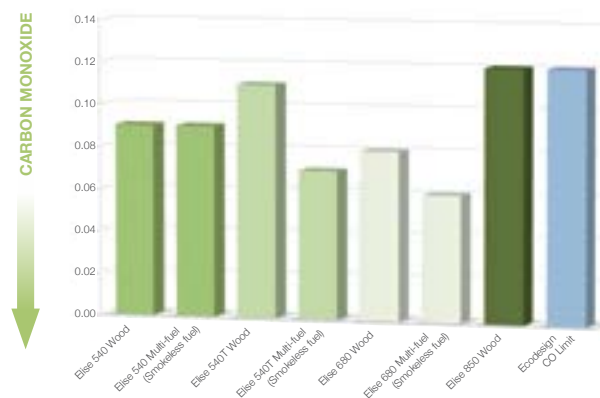
$\text{mg}/\text{m}^3$

■ Elise 540 - Woodburning model	55
■ Elise 540 - Multi-fuel model*	37
■ Elise 540T - Woodburning model	67
■ Elise 540T - Multi-fuel model*	13
■ Elise 680 - Woodburning model	64
■ Elise 680 - Multi-fuel model*	14
■ Elise 850 - Woodburning model	92
■ Ecodesign 2022 OGCs Limit	120

\*Multi-fuel model figures quoted burning smokeless fuel

## CO (CARBON MONOXIDE) % @ 13% $\text{O}_2$

Ecodesign limits are set to dramatically reduce the current UK Carbon Monoxide emission limits by a massive 88%, from 1% @ 13%  $\text{O}_2$  to 0.12%. All Elise models, again meet this stringent forthcoming standard.

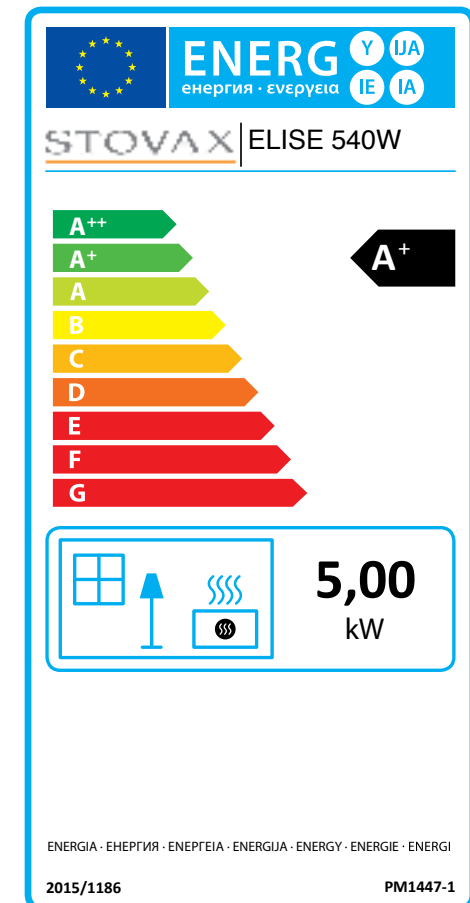


% at 13%  $\text{O}_2$

■ Elise 540 - Woodburning model	0.09
■ Elise 540 - Multi-fuel model*	0.09
■ Elise 540T - Woodburning model	0.11
■ Elise 540T - Multi-fuel model*	0.07
■ Elise 680 - Woodburning model	0.08
■ Elise 680 - Multi-fuel model*	0.06
■ Elise 850 - Woodburning model	0.12
■ Ecodesign 2022 CO Limit	0.12

## ENERGY EFFICIENCY RATING

Elise woodburning and multi-fuel fires and stoves burn with high thermal efficiency. All models in the range are subject European Energy labelling standards and are rated as either A or A+ Energy class appliances and can be viewed on page 13.





# Additional Information

## PHOTOGRAPHY AND INSTALLATION

Due to variations in studio lighting and printing inks, the finishes/colours of fires illustrated in this brochure may differ slightly from actual models. Before purchasing, please ask your retailer to show you finish/colour samples.

All of the flame pictures shown in this brochure are taken from real fires. Please note however that flame pictures will vary depending on the exact fuel used, flue conditions and surrounding geographical features. Given that building regulations are subject to constant change, some of the photography in this brochure may not comply with the requirements of the latest building regulations and you should always check your proposed installation arrangement with your HETAS trained installer before proceeding.

When designing your own installation, please also observe the minimum distance to combustible materials as stated in the installation instructions.

Stovax pursues a policy of continuous product improvement, therefore, whilst our products are correct at the time of the photography, we reserve the right to make alterations and amendments. Exact product details should be discussed with your retailer at the time of purchase.

The 'Nominal' heat output is to be used for calculating the ventilation provision as required by ADJ Building Regulations and for calculating its suitability for heating the size of room it will be fitted into. The heat output 'Range' is to be used as a guide only as the maximum and minimum performance will depend on local conditions such as flue pull, fuel quality and the way in which the product is used.

## EXTENDED WARRANTY

When you choose a Stovax Elise stove or fire, quality and technology are assured. Accordingly, your Stovax Expert Retailer will provide you with a two year warranty for your new appliance. This can then be extended to a five year warranty, provided it is registered with Stovax. Please note, these warranties exclude certain consumable parts. Fires purchased outside of Stovax's Expert Retailer Network will carry a standard one year non-extendable warranty. Full warranty terms & conditions are available to view at [www.stovax.com](http://www.stovax.com).



## IMPORTANT SAFETY INFORMATION

Please note that all parts of these fires, particularly the glass panel in the door, become extremely hot during operation and can result in serious injury and burns if touched. It is therefore recommended that a fireguard complying with BS 8423:2002 is used in the presence of young children, the elderly or infirm. In addition, by law all installations also require a Carbon Monoxide monitor (such as product code 3045 available from Stovax).

## PROFESSIONAL XQ™ CHIMNEY SYSTEMS

Stovax also offers a comprehensive range of stove & fireplace chimney systems, the Stovax Professional XQ™ collection. Made from 304L grade stainless steel for a durable outer finish, the fully sealed components offer water tight protection for the insulation within. With innovative decorative options, the ability to specify a colour for your system and with a host of technical advancements such as their Twist-Lock system, the Professional XQ™ range provides an attractive, versatile and reliable solution for your flue system. Furthermore, the Professional XQ™ range carries a 10 year conditional warranty offering complete peace of mind. For further information, please speak to your retailer or visit [www.stovax.com/chimneysystems](http://www.stovax.com/chimneysystems).





Freestanding Elise Steel 680 woodburning with plinth.  
Shown with large curved log holder from Stovax.

**STOVAX**  
*Fire Your Imagination*

Stovax Limited, Falcon Road, Sowton Industrial Estate, Exeter, Devon, England EX2 7LF

Trade Sales    Tel: 01392 474000    Fax: 01392 219932  
 Export Sales    Tel: +44 1392 261990    Email: info@stovax.com  
 Other depts    Tel: 01392 474011    www.stovax.com

*A member of the Stovax Group*

Stovax gratefully acknowledges the assistance of the following companies with photographic settings:

John Lewis - www.johnlewis.com • Original Style - www.originalstyle.com • Debenhams - www.debenhams.co.uk • Carpet Right - www.carpetright.co.uk  
 Furniture Village - www.furniturevillage.com • Habitat - www.habitat.co.uk • House of Fraser - www.houseoffraser.co.uk • Next - www.next.co.uk  
 Orange Tree - www.theorangetree.co.uk • Fagins Antiques - www.faginsantiques.com • Just Shutters - www.justshutters.co.uk • Amtico - www.amtico.com  
 The Prop Factory - www.propfactory.co.uk • Laura Ashley - www.lauraashley.com • Toby's Reclamation - www.tobysreclamation.com  
 Homesense - www.homesense.com • Ikea - www.ikea.com • Amara Living - www.amara.com • Cox & Cox - www.coxandcox.co.uk  
 Wayfair - www.wayfair.co.uk • Chunky Monkey - www.chunkymonkeyfurniture.co.uk

To view and download our complete range of brochures, simply scan this code or visit [www.stovax.com](http://www.stovax.com)



Your Stovax stockist:

£2.00



ELISE

