

# RAIS<sup>®</sup>

2018/19





ART  
OF  
Five



art  
of  
fire

RAIS unites aesthetics and technology. We call it the Art of Fire.

We pay attention to even the smallest details in the design, so our stoves are elegant and stylistically pure. They should be beautiful to behold – both when in use and when merely functioning as a design element in the home.

Our stoves compliment the fire, heat well and allow effective combustion, benefiting your heating budget and the environment. We achieve this through intensive construction work and by using only the best materials.



# 12

RAIS NEXO



## INSPIRATION AND DESIGN NEWS

Enter our world of inspiration! Learn how you can design your interior and create an elegant style – with heat from RAIS.

We are particularly eager to introduce you to the new Nexo. We call it the ultimate simple stove. Pure cubism. Designed for the modern home, with simple lines and often large windows. You can customize Nexo. You choose the height, colour, handle and a number of details. With its super simple lines and your personal preferences, the stove's ultimate design will match your home perfectly. See page 12. Try the customizer at [www.rais.com](http://www.rais.com).

Now you can even get the flue pipe in the same colour as the stove – a detail with a big impact. See page 88.

And now we would like to present the newcomer Circle that brings new style and hygge to your outdoor living area. Circle is both a bonfire stove and a grill. Very easy to use. The circular surface heats quickly – you are ready to grill... See page 98.

Have a look at Woody, too. This smart new firewood bag is made of durable, handsome materials and makes it much easier to collect firewood... See page 83.

Welcome to 132 pages of design and inspiration from RAIS.

Happy exploring!





97  
OUTDOOR

<b>STOVES</b>	<b>09</b>
Nexo 100	14
Nexo 120	16
Viva L 100	20
Viva L 120	22
Viva L 160	24
Q-Be XL	26
Q-Be	27
Bionic Fire	28
Pilar	30
Rina	32
Q-Tee	34
Q-Tee 2	38
Q-Tee 2 C	40
Poleo	45
Juno 160	46
Juno 120	48
Rina	49
Juno 120 Ceramic	50
Juno 160 Ceramic	51
<b>INSERTS</b>	<b>53</b>
Visio 1	55
Visio 2	56
Visio 3	57
Visio 3 Element	58
Visio 2:1	59
Visio 3:1	62
500 <sup>1</sup>	64
500 <sup>2</sup>	65
500 <sup>3</sup>	66
2:1	67
700	68
900	69
Q-Tee insert	70
Q-Be insert	71
<b>GAS STOVES</b>	<b>73</b>
<b>INTERIOR</b>	<b>77</b>
<b>ACCESSORIES</b>	<b>87</b>
<b>OUTDOOR</b>	<b>97</b>
<b>SPECIFICATIONS</b>	<b>105</b>

## THE ART OF SELECTING A STOVE...

When choosing your new stove, many questions arise:

Where will you get the most from your stove?

Where is there a chimney?

Stand alone or built in?

You will probably also ask yourself what colour and shape best match your home. Whether you want a traditional woodburning stove or a gas stove operated by remote control.

And whether you will adjust the air control yourself or you want CleverAir – an automatic air control that regulates air flow to the stove all by itself.

The choice is yours. Experiment with design, style and colours on our website.



**Interior designer  
BRUNO JACOBSEN**

The stove, a RAIS Q-Tee 2 is placed in the best spot of the living room. It is the focal and gathering point of the entire summer cabin. "Hygge" and design take centre stage.

"The elegant and minimalist stove suits the new Nordic style of the house perfectly," says Bruno Jakobsen from BRUNOJAKOBSENDESIGN.

RAIS Q-Tee 2



**Interior designer  
CAMILLA HØEG**

In the home of designer Camilla Høeg, it is her father, a chimney sweep, who decided her next stove should be a RAIS.

"It ended up being a 500<sup>2</sup>, which is perfect in my corner setting, where I have limited space", says Camilla of Høeg+Møller.

RAIS 500<sup>2</sup>



**Chef  
JACOB DAHL ANDERSEN**

In the master kitchen at Skagenfood, many demo videos are made with recipes for social media. That is why special attention was paid to the interior design.

"I am especially happy with the superb match between Viva L in nickel and the cupboards in the same colour", says Jacob Dahl Andersen.

RAIS Viva 100 - nickel



**Entrepreneur  
ROAR SOLEM**

In the family cottage Casa Solstad, the family has incorporated a Visio 3 with a steel plate finish.

"In Norwegian, we say "stilig" (stylish). Absolutely sleek! There is no way we could have made this whole interior any simpler", says Roar Solem.

RAIS Visio 3  
Photo: Kathrine Sørgård









# STOVES

## CUSTOMIZER

With RAIS' customizer, you customize the stove's appearance the way you think it looks best and best matches your home.

You choose the height of the stove.

The colour from a palette of hues.

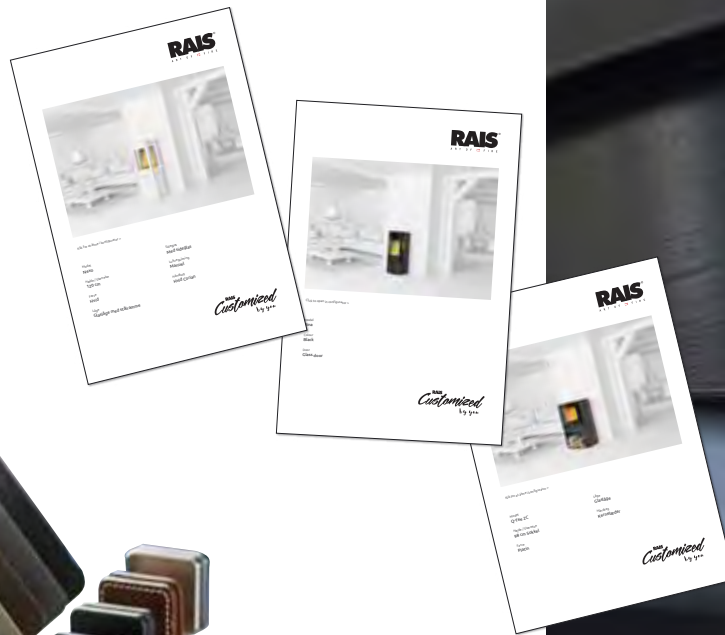
The shape of the door.

The handle.

Whether you want automatic features.

Plus a whole range of other details specific to the model of stove. This way, you create your very own stove.

You will find the customizer on our website at [www.rais.com](http://www.rais.com)



**RAIS**  
*Customized*

Co-create and  
make it  
your own



Photo: Miko Pekonen

## CLEVERAIR

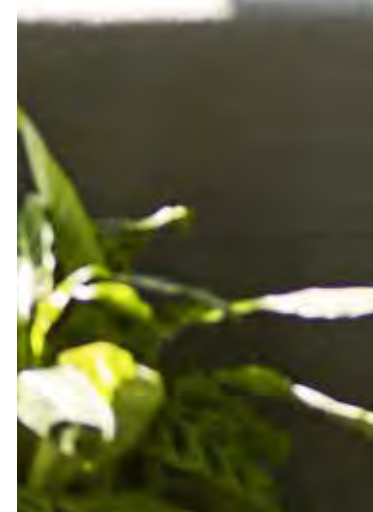
RAIS stoves with automatic features make it easy for you to heat in a way that is economical and environmentally friendly. The only thing you have to do is light the fire and add firewood. CleverAir takes care of the rest – automatically!

CleverAir is intelligent combustion technology that ensures proper and optimal air supply to your stove. With exactly the right amount of air you get the finest, most efficient combustion.

Specifically, it means that your stove burns clean, which keeps the window in your stove clean. You also use the firewood optimally, thereby cutting down on your heating budget.



*CleverAir*



## RAIS NEXO

VOILÁ - PURE CUBISM

Absolutely square. The ultimate simple stove for the home with clean lines.

RAIS Nexo is symmetrical and emanates stylistic tranquillity. Only the small square handle on the door breaks with the uniform look. When lit, the flames become the focal point of the entire space – the large windows create the impression of an open fireplace. This stove, too, can be customized. You choose the height, colour, handle and a number of other details.

NEW



NEW

# RAIS NEXO 100

Absolutely clean lines. Made for the modern home with stylistically pure architecture. Matches simplicity and large windows. Your individual choice determines the colour, handle, height and more. An ultra modern stove – also in terms of quality, efficiency and the environment.

Output	3-7 kW
Area	45-105 m <sup>2</sup>
Rotates	360°
Colours	6
Handles	6
CleverAir	Yes









# RAIS NEXO 120

Absolutely clean lines. Made for the modern home with stylistically pure architecture. Matches simplicity and large windows. Your individual choice determines the colour, handle, height and more. An ultra modern stove – also in terms of quality, efficiency and the environment.

NEW

Output	3-7 kW
Area	45-105 m <sup>2</sup>
Rotates	360°
Colours	6
Handles	6
CleverAir	Yes

RAIS Nexo 120 Classic - white  
RAIS Nexo 120 - mocha







## RAIS VIVA L

STYLISTICALLY PURE, ROUND AND SUPER ORGANIC

Viva L is an iconic stylistically pure stove. Not just rounded, but circular. The pane is similarly rounded in the same shape, and even the handle on the door is round. The large window really does the flames justice.

This stove is one you can customize. You choose the height, colour, handle and a range of other details. That way you get just the stove you want. Jacob Dahl Andersen has designed his Viva L so it fits perfectly in the most important room in his house – the kitchen.



reddot design award  
winner 2017

# RAIS VIVA L 100

Put your own personal touch on the sleek RAIS Viva 100 L.

Choose between different colours, handles, top plates and much more, and create a stove that matches your home interior and taste.

Output	3-7 kW
Area	45-105 m <sup>2</sup>
Rotates	360°
Colours	6
Handles	6
CleverAir	Yes

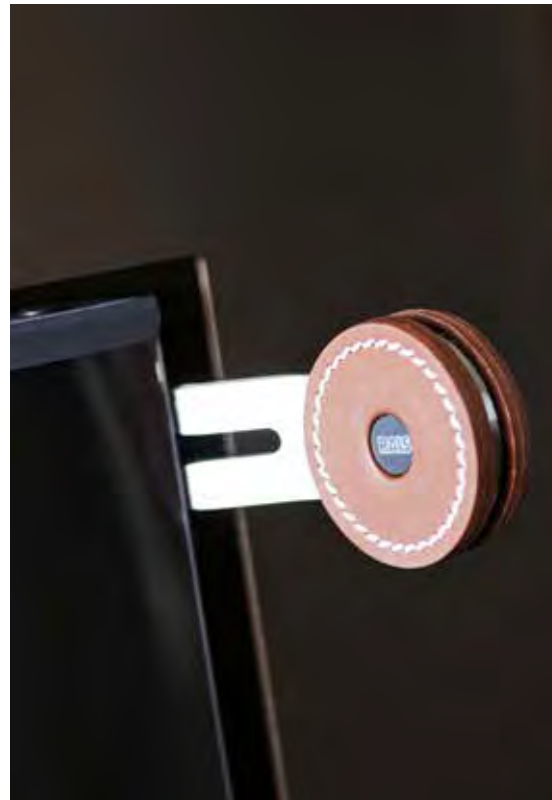








# RAIS VIVA L 120



Design your own stove and choose exactly the details that reflect your own personal style and interior. Enjoy the dancing flames behind the extra large glass pane.

Output	3-7 kW
Area	45-105 m <sup>2</sup>
Rotates	360°
Colours	6
Handles	6
CleverAir	Yes



reddot design award  
winner 2017



# RAIS VIVA L 160

Circular RAIS Viva L is now available in a taller model – and with an even more elegant and sculptural look. Choose between different colours, handles, top plates and much more to make the stove your own.

Output	3-7 kW
Area	45-105 m <sup>2</sup>
Rotates	360°
Colours	6
Handles	6
CleverAir	Yes



reddot design award  
winner 2017

RAIS Viva L 160 - silver







# RAIS Q-BE XL

With its striking and grandiose design, RAIS Q-BE XL lends edge and character to both classic and modern homes.

Output	4-8 k
Area	60-120 m <sup>2</sup>
Rotates	360°
Colours	6
CleverAir	Yes

# RAIS Q-BE



Output 4-8 kW  
Area 60-120 m<sup>2</sup>  
Rotates 360°  
Colours 6  
CleverAir Yes

RAIS Q-BE - black

Turn the upper part of RAIS Q-Be to fully experience the flames through the large glass pane, regardless of where you are in the room.



## "GREEN" HEAT AND SCANDINAVIAN MOOD

Bionic Fire is one of a kind among stoves. This stove is so effective that no residual particles can be measured in the smoke. The special two-chamber system ensures afterburning in the lower combustion chamber. There is automatic air regulation, ensuring optimal combustion at all times.

The shape is tight and organic, with either a white or black edge to the all-glass door and black or nickel body. This stove is perfect for the modern consumer who chooses both with the heart and head.

Output	3-5.5 kW
Area	45-83 m <sup>2</sup>
Rotates	360°
Colours	2
CleverAir	Yes



Photo: Inger Marie Grine



Photo: Roar Solem



Photo: Inger Marie Grine



RAIS  
bionic fire™

interior  
innovation  
award  
2014  
Selection



# RAIS PILAR



RAIS Pilar is a striking and sculptural attention-grabber in the room and offers an impressive view of the fire through its large glass door.

Output	3-6 kW
Area	45-90 m <sup>2</sup>
Rotates	360°
Colours	7
Handles	6
CleverAir	Yes

RAIS Pilar 160 - black



RAIS Pilar 153 - white



## RAIS PILAR UNIQ

RAIS Pilar Uniq has the same striking and sculptural design as RAIS Pilar, but with a handsome patinated surface and a raw expression created by the elements under an open sky.



# RAIS RINA





# RAIS RINA



With an elegant curved front and slanted sides, RAIS Rina is discreet and compact, and it fits in perfectly in a smaller home. Despite its size, the stove is a highly effective source of heat.

Output 2-6 kW  
Area 30-90 m<sup>2</sup>  
Colours 6

RAIS Rina Classic - black  
RAIS Rina - platinum



A timeless, cubic stove for small homes and with plenty of individual design options.

Place it on the floor, on a concrete bench, in a corner or how about the wall...? The choice is yours.

# RAIS Q-TEE

Output 2-6 kW  
Area 30-90 m<sup>2</sup>







## RAIS Q-TEE 2

### THE ULTIMATE SIMPLISTIC STYLE

At the centre of Sølvhuset (Silver House) in the woods stands a Q-Tee 2. A spot where many others would have placed a TV. Instead, a minimalistic Q-Tee was put there – precisely to underscore the simplicity, and to draw attention to a vibrant and warm focal point in the living room. With a steady hand, designer Bruno Jacobsen has produced a style that creates tranquillity by way of its clean lines. Note the firewood shelving, which, together with the stove, becomes an element of design in its own right.



# RAIS Q-TEE 2

RAIS Q-Tee 2 breaks with classic firewood and stove design and allows for an entirely unique interior design. The stove has a cubistic and stylistically pure expression and can be supplied as standard for placement directly on the hearth, with legs (low or high) or on a firewood store which is available in two different heights.

Output 3-8 kW  
Area 45-120 m<sup>2</sup>





*Customized*

RAIS Q-Tee 2 C is a minimalistic stove with a beautifully curved shape and large window that frames the fire. Despite the stove's size, it features a large combustion chamber – making it a perfect, effective source of heat in locations where space is tight. The stove comes with legs, with or without firewood storage and in two different heights.

Output 3-8 kW  
Area 45-120 m<sup>2</sup>



RAIS Q-Tee 2 C - 600



RAIS Q-Tee 2 C - 720



RAIS Q-Tee 2 C - 880



RAIS Q-Tee 2 C - 980



RAIS Q-Tee 2 C - 760



# RAIS Q-TEE 2 C





RAIS 2:1



RAIS Visio 3

Photo: Kathrine Sørgård



RAIS Pilar 160 - black



RAIS 500²



## GATHER INSPIRATION. DREAM. CREATE!

It can take time to gather inspiration – to see what others have done. You may also need to daydream a little. What if...? What if I put the stove there...? And if precisely that stove in that colour was placed here in this room, would it harmonise with the architecture...?

Your dealer has extensive experience in visualising the possibilities – and your personal style and preferences help you make your decisions.

Enjoy the creative process. And the results.





Photo: Miko Pekonen



## STAY WARM WITH BEAUTIFUL STONES

Soapstone is a natural wonder – a work of art in delicate shades and with beautiful patterns and markings. The stones create an attractive and rustic expression, but they also serve a practical function. They accumulate the heat from the wood-burning stove and slowly release the stored heat over time.

For example, if you burn 4kg of firewood in a RAIS Pilar 180 lined with 96 kg of soapstone, the stove will emit afterheat for 8 hours – and you get the most out of your firewood.

Heat accumulating stones are available for RAIS Pilar, RAIS Viva L 120, RAIS Q-Be, RAIS Q-20, RAIS Juno, Visio 1, Visio 2 and Visio 3.

# RAIS POLEO

RAIS Poleo combines a rounded, organic design, with handsome soapstone in grey hues on the sides and top. The stones accumulate heat and ensure effective heating of your home.

Output	4-8 kW
Area	60-120 m <sup>2</sup>
Rotates	360°





# RAIS JUNO 160



Give your home interior edge and character with the sculptural RAIS Juno 160 clad with beautiful heat-accumulating soapstone.

Output 2-6 kW  
Area 30-90 m<sup>2</sup>  
Rotates 360°

# RAIS JUNO 120



The living grey natural stone creates a striking contrast to the stove's glass and steel and ensures excellent heat comfort in your home.

Output	2-6 kW
Area	30-90 m <sup>2</sup>
Rotates	360°



# RAIS RINA

The light soapstone contrasts beautifully with the stove's shiny black glass door and radiates a pleasant heat over a long period of time. Raw and rustic – effective and environmentally friendly.

Output 2-6 kW  
Area 30-90 m<sup>2</sup>



**RAIS JUNO 120**  
CERAMIC



The white ceramic stone covering RAIS Juno Ceramic is hand-made. It is a time-consuming and complex process with many phases – from the filling of the mould, to the burning, glazing and reburning of every stone.

# RAIS JUNO 160 CERAMIC

RAIS Juno Ceramic's chalk-white and matt ceramic stone accumulates the stove's heat and creates a pure, elegant and super modern look. With twenty centimetres extra in height, RAIS Juno Ceramic 160 stands as a striking black/white sculpture in the room.

Output 2-6 kW  
Area 30-90 m<sup>2</sup>  
Rotates 360°





# INSERTS



## GLASS, FIRE - AND NOTHING MORE!

RAIS Visio is an exclusive series of inserts characterised by a thoroughly simple design and discreet elegance. There are six different models with glass on several sides – and precisely the glass is the backbone of the design. Through the large continuous pane you can enjoy the impressive sight of the fire – no matter where you are in the room.

You can build Visio into a corner, use it as an elegant room divider or build your own fireplace using white concrete elements. The choice is yours.

Choose between three handles in either solid oak, black-coated steel or stainless steel.



Photo: Catrin Hinsell



Photo: Kathrine Sørgård



Photo: Fergus Alexander



# RAIS VISIO 1



Stove insert in a timeless and simple design, where the fire is the absolute centre of attention. The door does not open in the traditional manner, but is lifted and lowered.

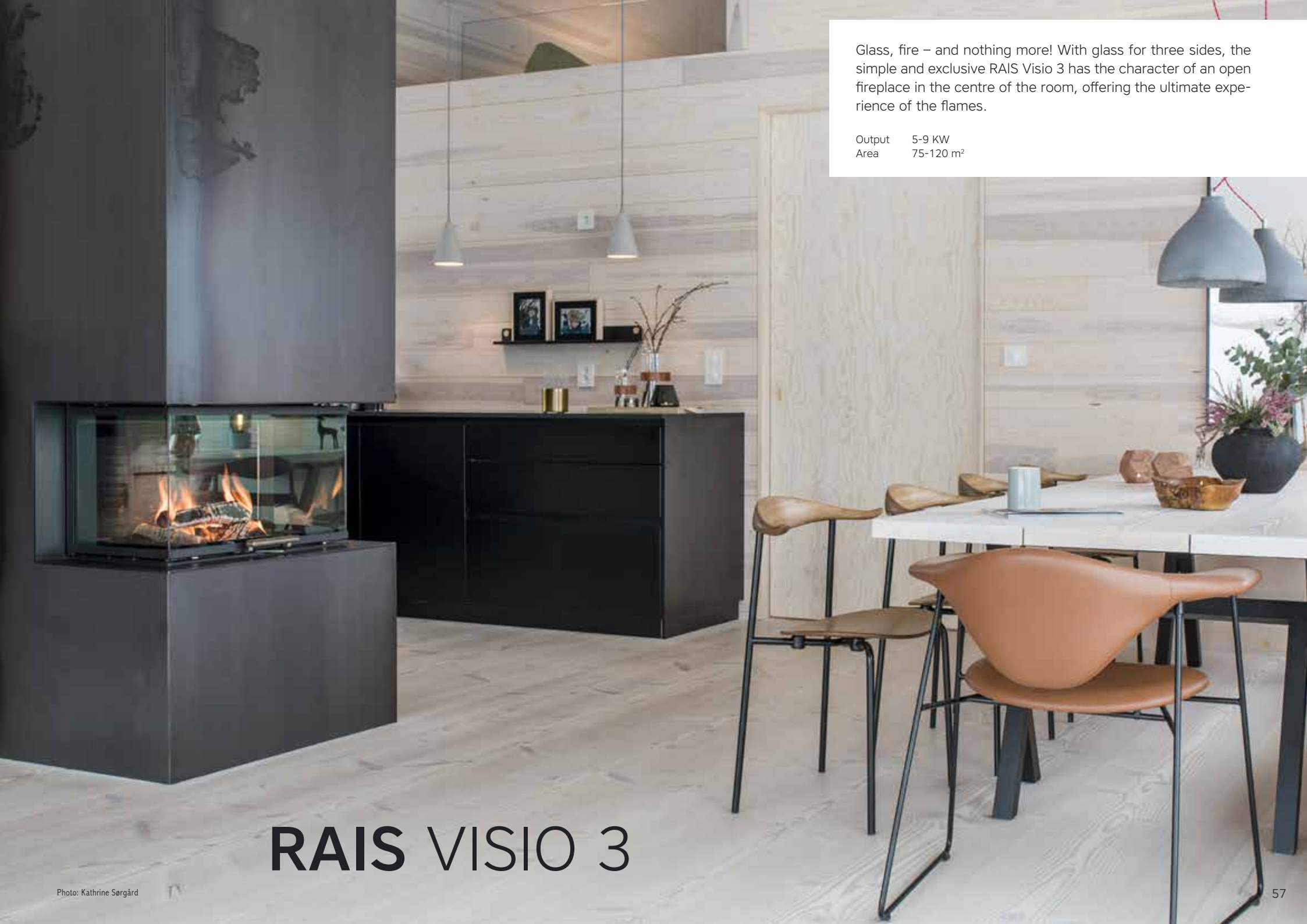
Output 5-9 kW  
Area 75-120 m<sup>2</sup>

Think out of the box, and furnish your home with a RAIS Visio 2, with glass for two sides. That gives you a whole range of interior design options.

Output 9 kW  
Areal 75-120 m<sup>2</sup>

# RAIS VISIO 2





Glass, fire – and nothing more! With glass for three sides, the simple and exclusive RAIS Visio 3 has the character of an open fireplace in the centre of the room, offering the ultimate experience of the flames.

Output 5-9 KW  
Area 75-120 m<sup>2</sup>

# RAIS VISIO 3

# RAIS VISIO 3 ELEMENT

Stand out from the crowd, and build your own characteristic fireplace with light grey prefabricated concrete elements. Easy installation with an elegant result. Can be painted in the colour of your choice.



Integrate RAIS Visio 2:1 as a room divider, and let the flames unite your interior. The stove's simple design with glass for both sides creates air and lightness in the home's interior.

Output 5-9 KW  
Area 75-120 m<sup>2</sup>

# RAIS VISIO 2:1





## RAIS VISIO 3

FOCAL POINT IN MODERN NORDIC CABIN...

The Solem-Fremstad family decided to design and build, on their own, the ideal cabin in their dream location in an open pine forest about an hour's drive from Trondheim, Norway. In the ideal floor plan, the kitchen and living room area are divided by a large room divider, and adjacent to that, at the centre of the house, is where the Visio 3 fits in perfectly. Via the large glass panes, heat and flames can be enjoyed from three sides.

The Solem-Fremstad family says that, for them, Visio 3 is like a jewel at the centre of the room.



# RAIS VISIO 3:1

With glass for three sides, the fire gets all the attention, and RAIS Visio 3:1 becomes the natural gathering spot in the home.

Output 5-9 kW  
Area 75-120 m<sup>2</sup>





# RAIS 500<sup>1</sup>

RAIS 500<sup>1</sup> is discreet aesthetics and classic elegance, combined with superb heat, effective combustion and “green” sustainability. The insert breathes new life into existing fireplaces or adapts to modern architectural solutions. Choose between a steel or glass door.

Output	4-8 kW
Area	60-120 m <sup>2</sup>





# RAIS 500<sup>2</sup>

RAIS 500<sup>2</sup> has glass both on the front and side, with a classic black frame. The insert is designed for incorporation in a corner and allows you to enjoy the fire from several angles. Choose between a steel or glass door.

Output 4-8 kW  
Area 60-120 m<sup>2</sup>



# RAIS 500<sup>3</sup>



Let the cosy warmth radiate and the fire come into its own. With glass on three sides, RAIS 500<sup>3</sup> is eye-catching, creates a camp-fire mood indoors and becomes the home's natural gathering point. Choose between a steel or glass door.

Output 4-8 kW  
Area 60-120 m<sup>2</sup>



# RAIS 2:1

Photo: Dinesen

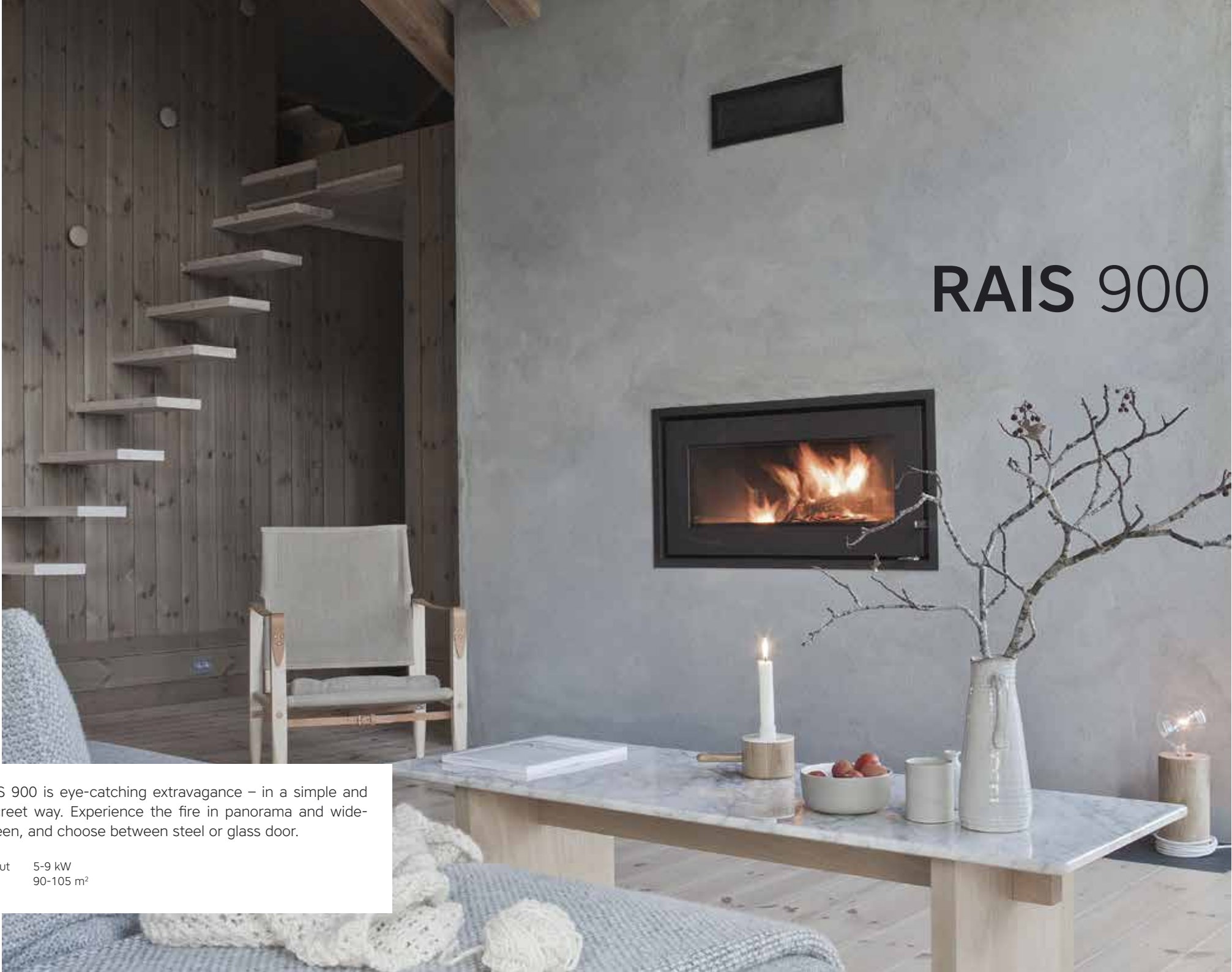
Enjoy the experience of having a stove in two rooms with RAIS 2:1 for building-in and with large glass panes on both sides. The frame can be adjusted in size. Choose between steel or glass doors.

Output 3-9 KW  
Area 45-135 m<sup>2</sup>

# RAIS 700

A true classic with clean lines for the timeless home interior. The handle is discreet and almost concealed, so nothing breaks the simple but bold look. Choose between a steel or glass door.

Output	3-7 kW
Area	60-105 m <sup>2</sup>



# RAIS 900

RAIS 900 is eye-catching extravagance – in a simple and discreet way. Experience the fire in panorama and wide-screen, and choose between steel or glass door.

Output 5-9 kW  
Area 90-105 m<sup>2</sup>



# RAIS Q-TEE

## INSERT

Get the full experience of a woodburning stove, even if you live in limited space. RAIS Q-Tee is a small, effective and environmentally friendly insert that fits in most rooms and homes with limited space.

Output 2-6 kW  
Area 30-90 m<sup>2</sup>

# RAIS Q-BE INSERT



RAIS Q-BE is an elegant corner insert, where the door's glass is in one piece and the handle is concealed behind the door, so absolutely nothing disturbs the fine graphic expression.

Output 4-8 kW  
Area 60-120 m<sup>2</sup>







# GAS STOVES



RAIS Visio 3 Gas



RAIS Visio 3:1 Gas

## LARGE ASSORTMENT OF ALL NEW GAS STOVES!

For the modern consumer who is looking for a truly easy stove, RAIS has just put out a series of gas-burning stoves – both free-standing and inserts.

Welcome to a world of beautiful stoves with a streamlined design – and a high degree of convenience.

Check out our environmentally friendly gas stoves in the separate catalogue: RAIS Gas 2018/19. You will find it at your RAIS dealer or at [www.rais.dk](http://www.rais.dk).





RAIS Q-TEE 2 C Gas



RAIS Viva L 100 Gas

ALSO, SEE OUR  
GAS CATALOGUE  
WITH ALL OUR  
MODELS



# RAIS GAS





# INTERIOR



# RAIS BUTEO

Poker, brush and shovel with holder in a vibrant, organic design. For wall-mounting or placing on the floor on a round concrete base. Handle in stainless steel or leather.



3-piece fireplace tools in a raw design that combines steel, iron and concrete. For wall-mounting or floor. Handle in stainless steel or leather.

# RAIS TETRA





RAIS Wall tools are pure minimalism, with shaft in stainless steel, black silicon handle and holder in a black graphic design. For wall-mounting or the floor on a porous concrete base.



# RAIS WALL TOOLS





# RAIS CARRY

With its architect-drawn organic design, RAIS Carry has reinvented the classic firewood basket and gives it a lively modern expression. Choose between black or cream coloured. Both variants have handles in cognac coloured leather.



# RAIS LIGHTING

RAIS Lighting is an exclusive storage box for firelighters, in aluminium and with cognac coloured leather.





NEW

# RAIS WOODFRAME

This simple hanging frame for firewood frees floorspace. Note the luxurious details in the corners, which are joined using both dowels and tenons. Oak oiled in natural or smoky nuances. Turn it any way you like. Can also be placed on the floor.



NEW



# RAIS WOODY

Please enjoy the combination of fine details, luxurious materials and practical simplicity. And try just how uncomplicated it can be to carry in the firewood! With Woody!



# RAIS WOODWALL



RAIS Woodwall for storage of firewood is genius in all its simplicity. The wall holder comes in two sizes, with and without a back panel and in black or white. Decorative and practical.



## RAIS WOODWALL FREESTANDING



Use RAIS Woodwall Freestanding as a room divider or as a sculpture in the room. Comes in two sizes and in black or white. Wall Tools can be attached.

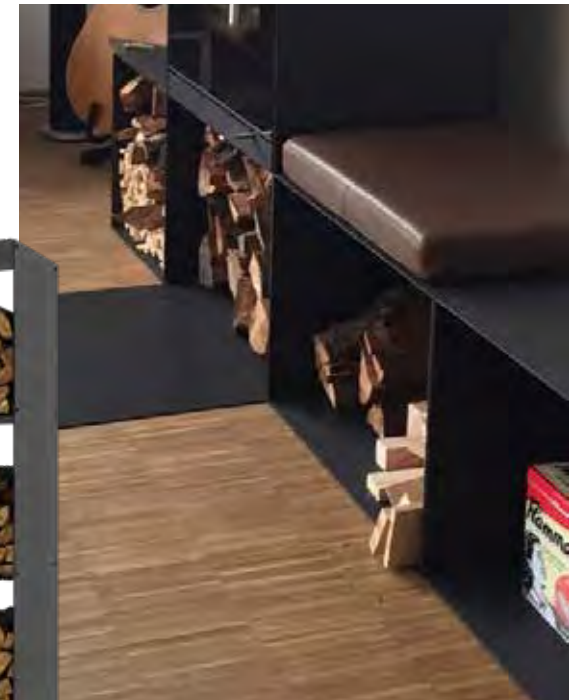
# RAIS CONSTANT BENCH

Fibre concrete is a super modern material that is also robust and creates a raw and simple look both in- and outdoors. Here, a robust and hard-wearing bench in a beautiful shade of grey. It can also be used as a foundation for RAIS Q-Tee and Q-Tee2.



# RAIS WOODRACK

Firewood that is neatly stacked and held in place with simple black frames creates a rustic, sculptural expression. Or turn the rack around and use it as a bench instead. Comes in two sizes.





# ACCESSORIES





NEW

## FLUE PIPE IN THE COLOUR OF THE STOVE

Now you can choose a flue pipe that is the same colour as your stove. For all of RAIS' six shades, we have flue pipes in exactly the same colour. We also have them in stainless steel.

With the flue pipe in the exact same colour as the stove, you get a unique and elegant turnkey solution. And the opportunity to add the finishing touches to the overall mood in the space surrounding the stove. The joints of the pipes are nearly invisible.









# GLAS PLATES



RAIS makes elegant floor plates in tempered glass designed to fit the shape of the stove. Note that the plates can simply be pushed right up to the stove. This allows for occasional cleaning underneath the plate.

A beautiful and simple solution – or rather a perfect finish, where nothing is left to chance.

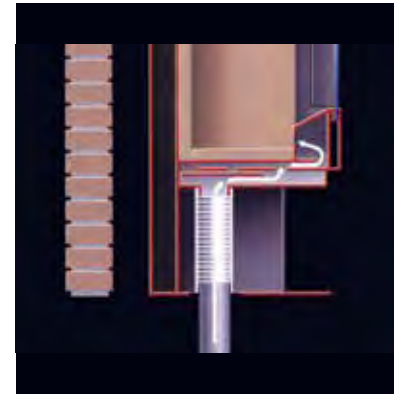
# AIRSYSTEM AND AIRKIT

This solution is developed specifically for low-energy and insulated houses. The system sucks in fresh air from the outside and feeds it directly into the stove to ensure optimal combustion. The air intake can be concealed by fitting it into the floor or into the wall behind the stove.

To facilitate connection to the AirSystem in the stove, we have developed an AirKit system that is adapted to the desired floor or wall installation.

The kit consists of a flexible pipe with a clamp, shielding for the firewood compartment, a coupling with a damper and a casing.

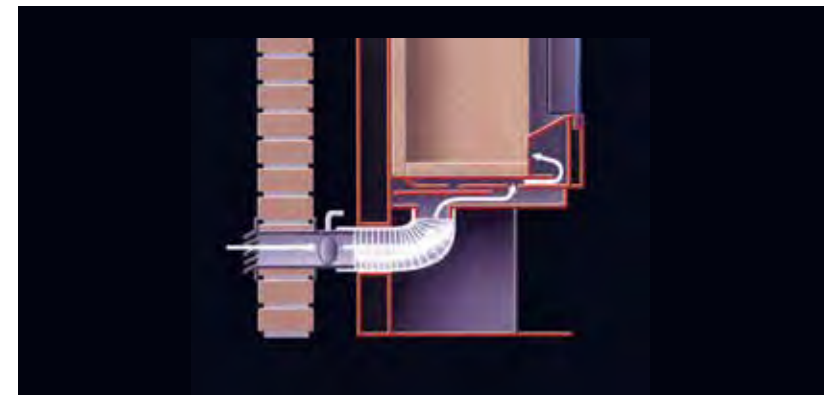
The coupling with the damper is very important. If it is not in place, there is nothing to prevent cold air from coming into the stove, cooling down the combustion chamber and creating condensation. The damper on the coupling and air inlet on the stove must be closed when the stove is not in use.



Air supply through floor



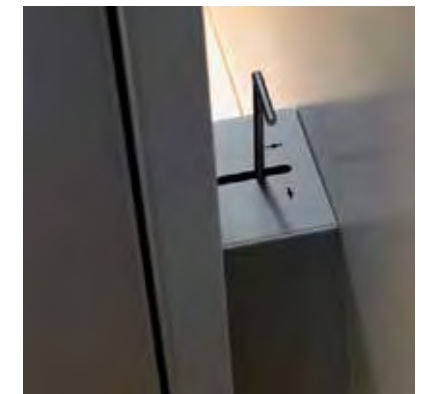
AirKit between floor and stove



Air supply through rear wall



AirKit between wall and stove



Shield and damper behind stove



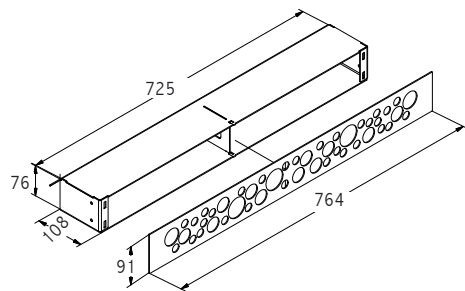
Choose the convection grate that matches your insert. This way you get optimal use of your stove – in terms of both format and function.



# RAIS CONVECTION GRATE

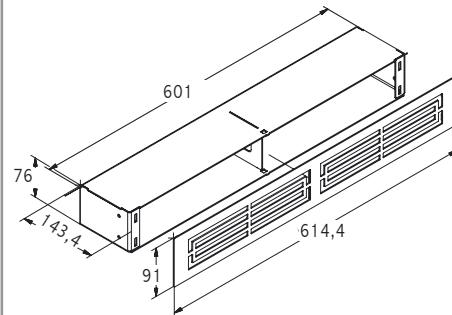
## R500 / VISIO

Convection area: 230 cm<sup>2</sup>



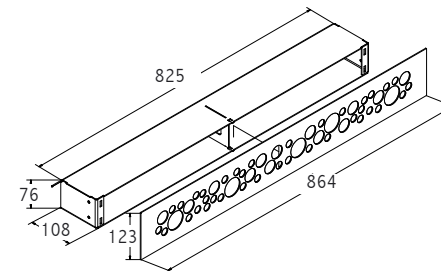
## R500<sup>2+3</sup> / VISIO 2+3

Convection area: 190 cm<sup>2</sup>



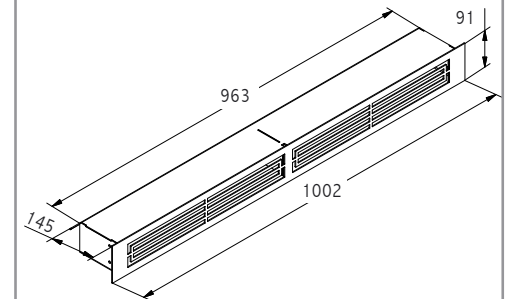
## R700

Convection area: 280 cm<sup>2</sup>



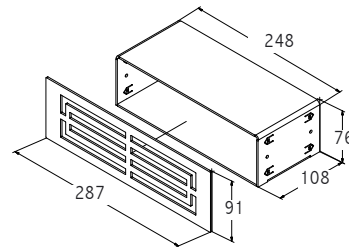
## R900

Convection area: 320 cm<sup>2</sup>



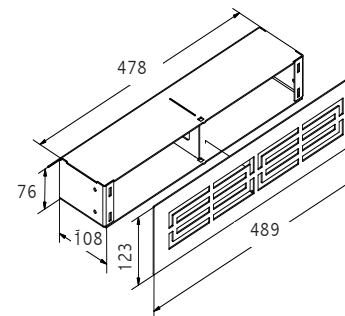
## Q-BE

Convection area: 90 cm<sup>2</sup>



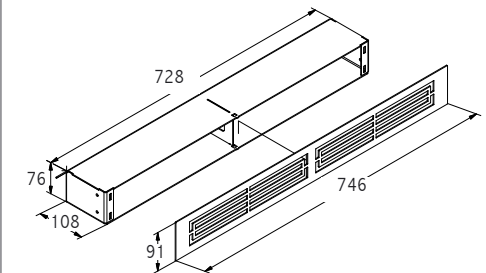
## Q-TEE

Convection area: 147 cm<sup>2</sup>



## R2:1

Convection area: 235 cm<sup>2</sup>





## SCHOTT ROBAX® FRONTGLASS

SCHOTT ROBAX® ceramic fire viewing panels ensure real enjoyment of your wood-burning stove and an impressive view of the flickering flames.

The fire viewing panels offer features such as high heat permeability, superior transparency, break-proof quality and a long lifespan. The panels are heat-resistant and can withstand extreme temperatures of up to 760 degrees Celsius, considerable shifts in temperature and shocks. SCHOTT ROBAX® fire viewing panels are made from quartz sand and consist of 95 % natural raw materials.

All RAIS stoves come with ceramic fire viewing panels from SCHOTT ROBAX®. With more than 35 years of experience and 75 million sold glass panels SCHOTT ROBAX® is one of the world's leading manufacturers of front glass panels for wood-burning stoves.



## ACHIEVE OPTIMUM DRAUGHT IN YOUR CHIMNEY

If there is nothing wrong with your firewood, your wood-burning stove or your chimney, and the fire is still not catching, it may be due to insufficient chimney draught. The problem can often be solved with a chimney fan.

Weather conditions and the outside temperature affect the draught in your chimney. With a chimney fan system from exodraft you always have control of the chimney draught regardless of external factors.

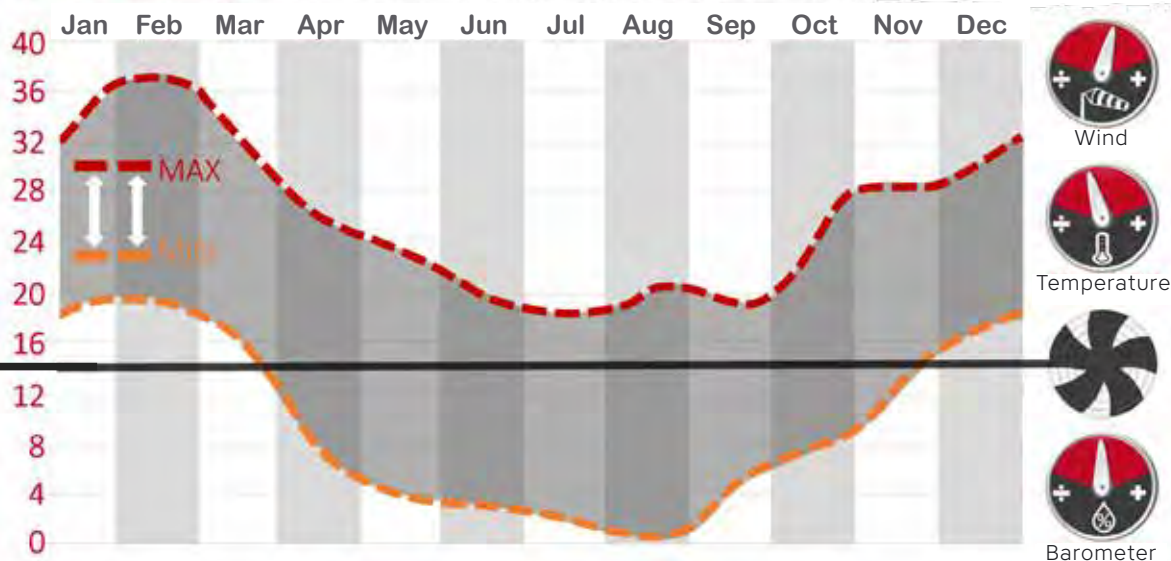
With a chimney fan you will be able to light a fire without a hassle, and the fan system will ensure a cleaner and more efficient combustion, improve your fuel economy and your indoor climate.

exodraft chimney fans are available in various models, including a model for gas stoves, and there is also one that fits your requirements.



Draught with exodraft chimney fan

Natural draught (Pa)  
(10 metre chimney)



**exodraft**

[www.exodraft.co.uk](http://www.exodraft.co.uk)

DECORATE WITH FIRE



**RAIS**

*Outdoor living*





A close-up photograph of a campfire. In the foreground, a large, split log of wood is positioned diagonally, showing its natural grain. The log is partially charred and sits on a dark, circular metal fire pit. Bright orange and yellow flames are visible in the background, rising from the fire. The background is softly blurred, showing colorful floral patterns in shades of purple, pink, and red, suggesting a patterned blanket or fabric nearby. The overall scene is warm and inviting.

OUTDOOR



NEW

# RAIS CIRCLE

Create a tranquil escape from everyday life with combined grill and fire bowl Circle in corten steel. Cuddle up in front of the fire, host an informal get-together or prepare a delicious homemade meal. The choice is yours.







# RAIS RA

RAIS RA Simple and minimalistic bonfire stove for evening fun on the patio, in the garden or at the beach.



# RAIS LIGHT CONE



Decorative cone-shaped garden torch with oil lamp insert. Spear comes in two lengths.





# RAIS ANGLE

A sculptural gathering spot for outdoor fun and cooking under an open sky.

## RAIS GRILL



# RAIS SQUARE

Grill and bonfire stove in one, with side table of solid oak and a practical space for storing firewood.



# RAIS GIZEH

Combined grill and bonfire stove in an eye-catching pyramid-inspired design.



RAIS' outdoor collection is handmade with heart and passion. Good craftsmanship takes time, but the result is worth the wait.

The collection's gorgeous rusty patina is created by the elements under an open sky – which is why no two products are alike. Every grill and bonfire stove has a unique look.

Find inspiration for how you can create a wonderful outdoor space and gather friends and family around a crackling fire for fun or a delicious meal outdoors.



The following pages comprise recommendations, specifications and technical data for each of our stoves. The same goes for dimensions, output, particulate emissions and distance to flammable materials.

This information is for your guidance only. Before installing your wood-burning stove, we recommend that you read the user manual for the stove and take into account the specific recommendations applicable to that stove.

Note that you are under obligation to ensure compliance with any and all local and national laws and regulations.





## SPECIFICATIONS



Due to the continuous technical development we reserve the right to make changes without prior warning to specifications, colours and equipment. We are not responsible for misprints or mistakes in text, pictures and specifications.

# RAIS NEXO 100 WITHOUT SIDE GLASS



TECHNICAL DATA:

DIMENSIONS (W-D-H)

Woodburning stove's ext. dim.	446-398-1025	mm
Combustion chamber's int. dim.	344-253-510	mm
Flue exit (diameter)	Ø150	mm
Distance from center of flue to back edge of the top plate	198	mm
Distance from floor to AirSystem connection	115	mm
Distance from floor to centre flue exit top plate	983	mm
Distance from floor to flue exit at back	900	mm
AirSystem connection	Ø100	mm

KEY FIGURES

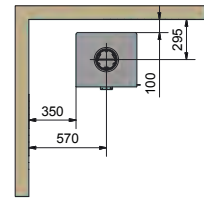
Output (Nominal)	5	kW
Output (Min-max)	3-7	kW
Heat (at 20 degrees)	45-105	m <sup>2</sup>
Efficiency	80	%
Particulates	2,24	g/kg

DISTANCE TO FLAMMABLE MATERIAL

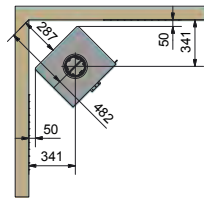
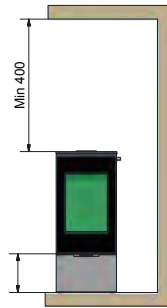
To wall at side	350	mm
To wall at back	100	mm
To non-flammable wall and at sides and back we recommend	50	mm

WEIGHT	125	kg
--------	-----	----

Flammable wall



Flammable ceiling



# RAIS NEXO 100 WITH SIDE GLASS



TECHNICAL DATA:

DIMENSIONS (W-D-H)

Woodburning stove's ext. dim.	446-398-1025	mm
Combustion chamber's int. dim.	344-253-510	mm
Flue exit (diameter)	Ø150	mm
Distance from center of flue to back edge of the top plate	198	mm
Distance from floor to AirSystem connection	115	mm
Distance from floor to centre flue exit top plate	983	mm
Distance from floor to flue exit at back	900	mm
AirSystem connection	Ø100	mm

KEY FIGURES

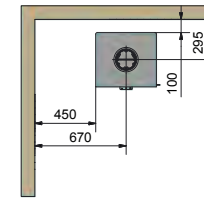
Output (Nominal)	5	kW
Output (Min-max)	3-7	kW
Heat (at 20 degrees)	45-105	m <sup>2</sup>
Efficiency	80	%
Particulates	2,24	g/kg

DISTANCE TO FLAMMABLE MATERIAL

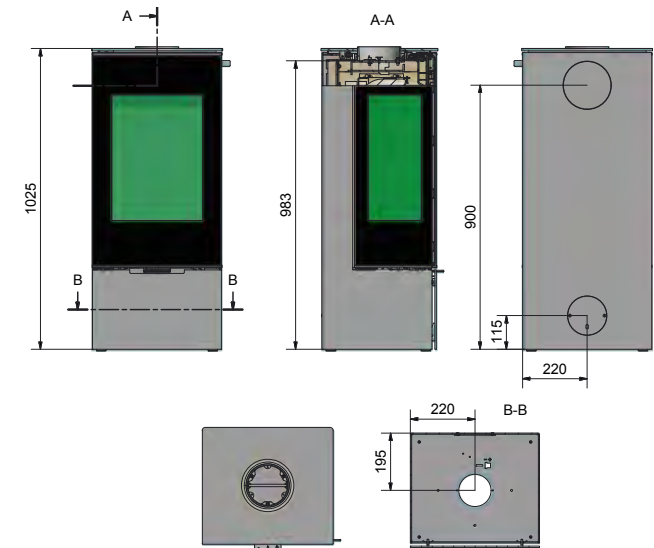
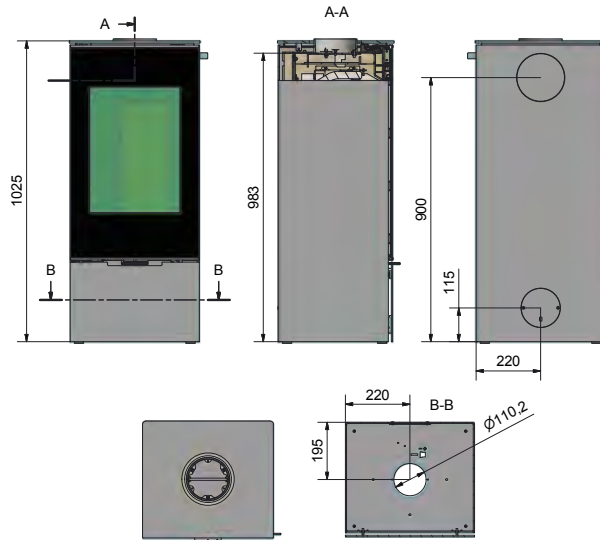
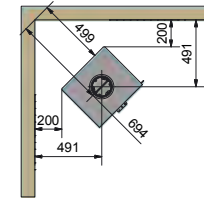
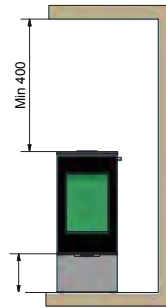
To wall at side	450	mm
To wall at back	100	mm
To non-flammable wall and at sides and back we recommend	50	mm

WEIGHT	125	kg
--------	-----	----

Flammable wall



Flammable ceiling



# RAIS NEXO 120 WITHOUT SIDE GLASS



TECHNICAL DATA:

DIMENSIONS (W-D-H)

Woodburning stove's ext. dim.	446-398-1235	mm
Combustion chamber's int. dim.	344-253-510	mm
Flue exit (diameter)	Ø150	mm
Distance from center of flue to back edge of the top plate	198	mm
Distance from floor to AirSystem connection	115	mm
Distance from floor to centre flue exit top plate	1193	mm
Distance from floor to flue exit at back	1110	mm
AirSystem connection	Ø100	mm

KEY FIGURES

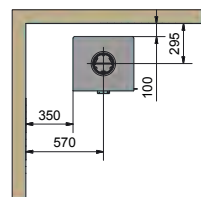
Output (Nominal)	5	kW
Output (Min-max)	3-7	kW
Heat (at 20 degrees)	45-105	m <sup>2</sup>
Efficiency	80	%
Particulates	2,24	g/kg

DISTANCE TO FLAMMABLE MATERIAL

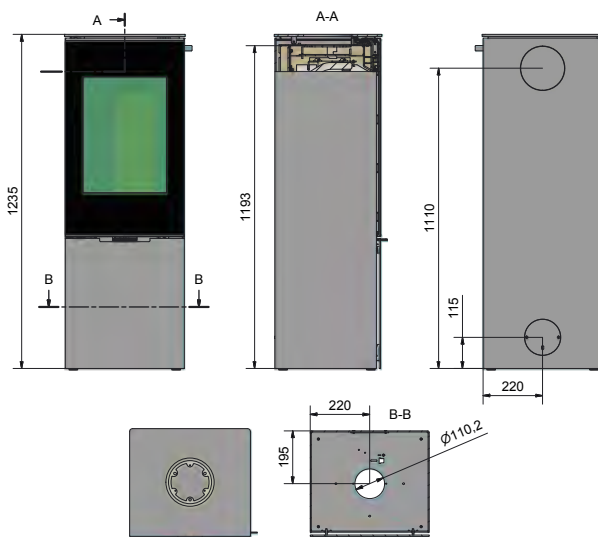
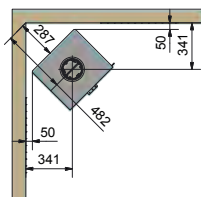
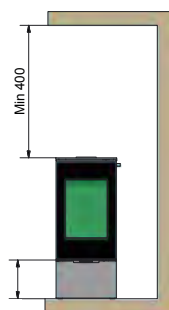
To wall at side	350	mm
To wall at back	100	mm
To non-flammable wall and at sides and back we recommend	50	mm

WEIGHT	140	kg
--------	-----	----

Flammable wall



Flammable ceiling



# RAIS NEXO 120 WITH SIDE GLASS



TECHNICAL DATA:

DIMENSIONS (W-D-H)

Woodburning stove's ext. dim.	446-398-1235	mm
Combustion chamber's int. dim.	344-253-510	mm
Flue exit (diameter)	Ø150	mm
Distance from center of flue to back edge of the top plate	198	mm
Distance from floor to AirSystem connection	115	mm
Distance from floor to centre flue exit top plate	1193	mm
Distance from floor to flue exit at back	1110	mm
AirSystem connection	Ø100	mm

KEY FIGURES

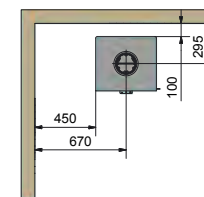
Output (Nominal)	5	kW
Output (Min-max)	3-7	kW
Heat (at 20 degrees)	45-105	m <sup>2</sup>
Efficiency	80	%
Particulates	2,24	g/kg

DISTANCE TO FLAMMABLE MATERIAL

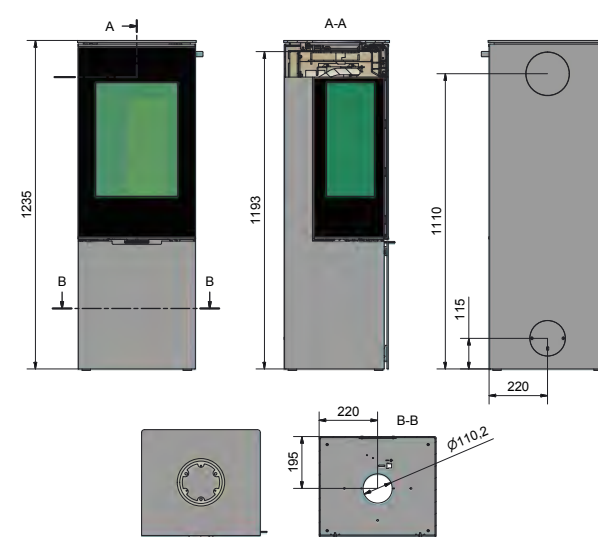
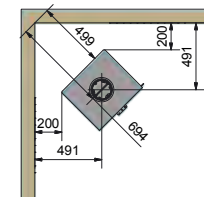
To wall at side	450	mm
To wall at back	100	mm
To non-flammable wall and at sides and back we recommend	50	mm

WEIGHT	140	kg
--------	-----	----

Flammable wall



Flammable ceiling



# RAIS VIVA L 100 WITHOUT SIDE GLASS



TECHNICAL DATA:

DIMENSIONS (W-D-H)

Woodburning stove's ext. dim.	Ø470-1000 mm
Combustion chamber's int. dim.	352-292-446 mm
Flue exit (diameter)	Ø150 mm
Distance from center of flue to back edge of the top plate	235 mm
Distance from floor to AirSystem connection	121 mm
Distance from floor to centre flue exit top plate	959 mm
Distance from floor to flue exit at back	887 mm
AirSystem connection	Ø100 mm

KEY FIGURES

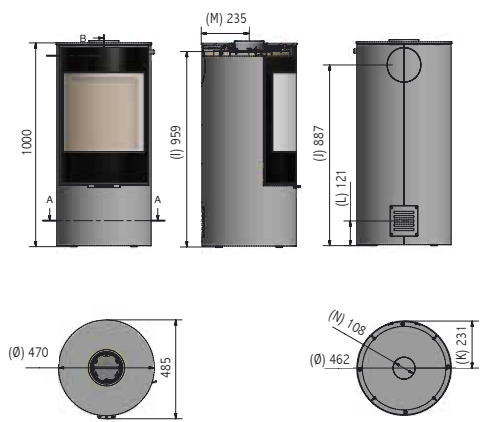
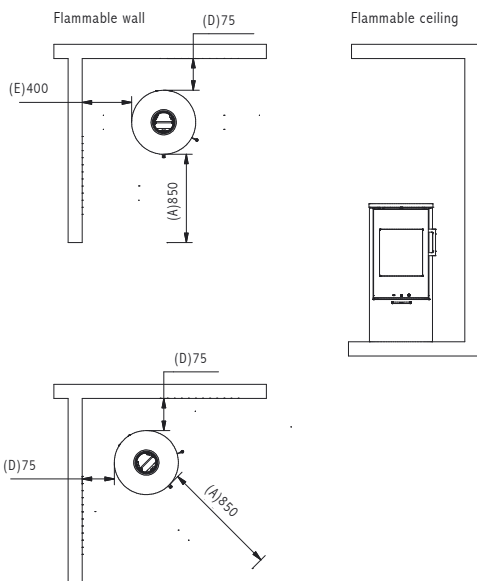
Output (Nominal)	4,8 kW
Output (Min-max)	3-7 kW
Heat (at 20 degrees)	45-105 m <sup>2</sup>
Efficiency	80 %
Particulates	1,89* / 2,11 g/kg

DISTANCE TO FLAMMABLE MATERIAL

To wall at side	400 mm
To wall at back	75 mm
To non-flammable wall and at sides and back we recommend	50 mm

WEIGHT	90 kg
--------	-------

\* CleverAir



# RAIS VIVA L 100 WITH SIDE GLASS



TECHNICAL DATA:

DIMENSIONS (W-D-H)

Woodburning stove's ext. dim.	Ø470-1000 mm
Combustion chamber's int. dim.	352-292-446 mm
Flue exit (diameter)	Ø150 mm
Distance from center of flue to back edge of the top plate	235 mm
Distance from floor to AirSystem connection	121 mm
Distance from floor to centre flue exit top plate	959 mm
Distance from floor to flue exit at back	887 mm
AirSystem connection	Ø100 mm

KEY FIGURES

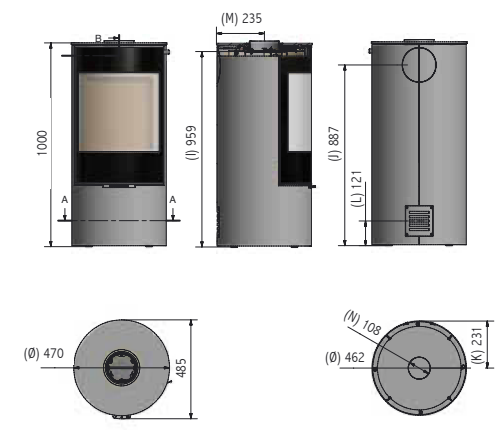
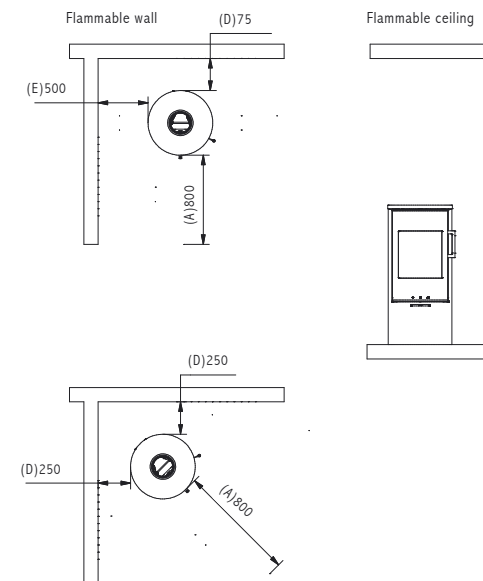
Output (Nominal)	4,8 kW
Output (Min-max)	3-7 kW
Heat (at 20 degrees)	45-105 m <sup>2</sup>
Efficiency	80 %
Particulates	1,89* / 2,11 g/kg

DISTANCE TO FLAMMABLE MATERIAL

To wall at side	500 mm
To wall at back	75 mm
To non-flammable wall and at sides and back we recommend	50 mm

WEIGHT	90 kg
--------	-------

\* CleverAir



# RAIS VIVA L 120 WITHOUT SIDE GLASS



TECHNICAL DATA:

DIMENSIONS (W-D-H)

Woodburning stove's ext. dim.	Ø470-1218 mm
Combustion chamber's int. dim.	352-292-446 mm
Flue exit (diameter)	Ø150 mm
Distance from center of flue to back edge of the top plate	235 mm
Distance from floor to AirSystem connection	121 mm
Distance from floor to centre flue exit top plate	1039 mm
Distance from floor to flue exit at back	967 mm
AirSystem connection	Ø100 mm

KEY FIGURES

Output (Nominal)	4,8 kW
Output (Min-max)	3-7 kW
Heat (at 20 degrees)	45-105 m <sup>2</sup>
Efficiency	80 %
Particulates	1,89* / 2,11 g/kg

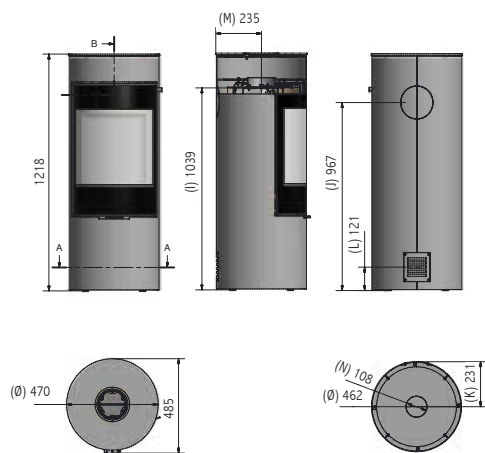
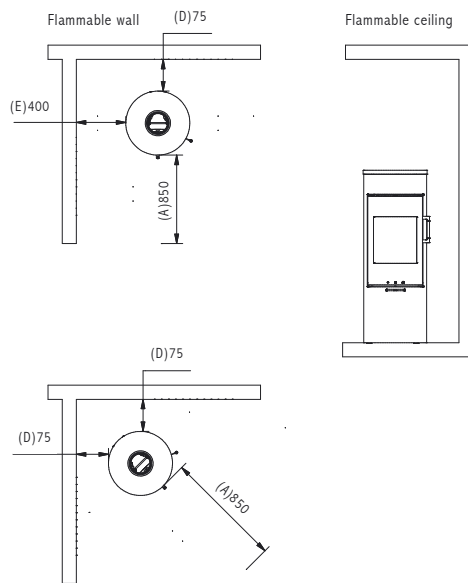
DISTANCE TO FLAMMABLE MATERIAL

To wall at side	400 mm
To wall at back	75 mm
To non-flammable wall and at sides and back we recommend	50 mm

WEIGHT

- heat accumulation stone	100 kg
	25 kg

\* CleverAir



reddot design award  
winner 2017



# RAIS VIVA L 120 WITH SIDE GLASS



TECHNICAL DATA:

DIMENSIONS (W-D-H)

Woodburning stove's ext. dim.	Ø470-1218 mm
Combustion chamber's int. dim.	352-292-446 mm
Flue exit (diameter)	Ø150 mm
Distance from center of flue to back edge of the top plate	235 mm
Distance from floor to AirSystem connection	121 mm
Distance from floor to centre flue exit top plate	1039 mm
Distance from floor to flue exit at back	967 mm
AirSystem connection	Ø100 mm

KEY FIGURES

Output (Nominal)	4,8 kW
Output (Min-max)	3-7 kW
Heat (at 20 degrees)	45-105 m <sup>2</sup>
Efficiency	80 %
Particulates	1,89* / 2,11 g/kg

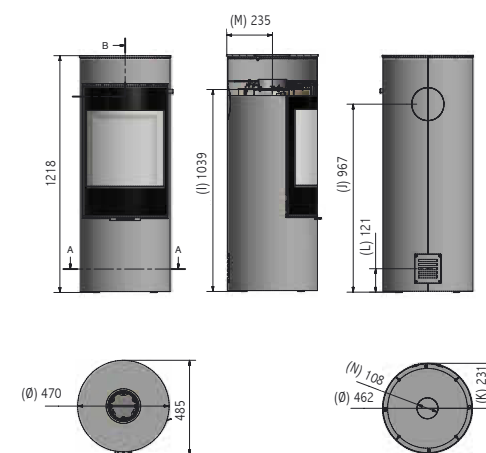
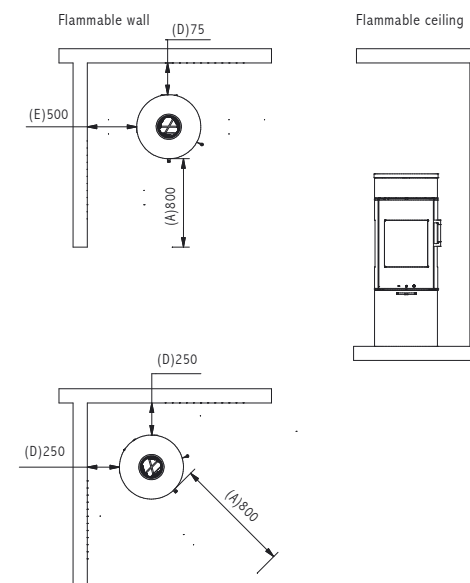
DISTANCE TO FLAMMABLE MATERIAL

To wall at side	500 mm
To wall at back	75 mm
To non-flammable wall and at sides and back we recommend	50 mm

WEIGHT

- heat accumulation stone	100 kg
	25 kg

\* CleverAir



reddot design award  
winner 2017



# RAIS VIVA L 160 WITHOUT SIDE GLASS



TECHNICAL DATA:

DIMENSIONS (W-D-H)

Woodburning stove's ext. dim.	Ø470-1618	mm
Combustion chamber's int. dim.	352-292-446	mm
Flue exit (diameter)	Ø150	mm
Distance from center of flue to back edge of the top plate	235	mm
Distance from floor to AirSystem connection	121	mm
Distance from floor to centre flue exit top plate	1039	mm
Distance from floor to flue exit at back	967	mm
AirSystem connection	Ø100	mm

KEY FIGURES

Output (Nominal)	4,8	kW
Output (Min-max)	3-7	kW
Heat (at 20 degrees)	45-105	m <sup>2</sup>
Efficiency	80	%
Particulates	1,89* / 2,11	g/kg

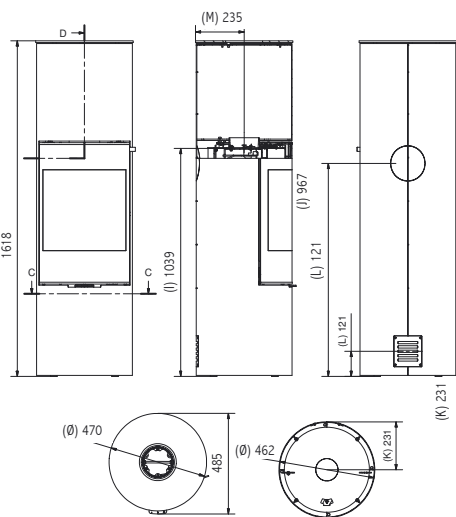
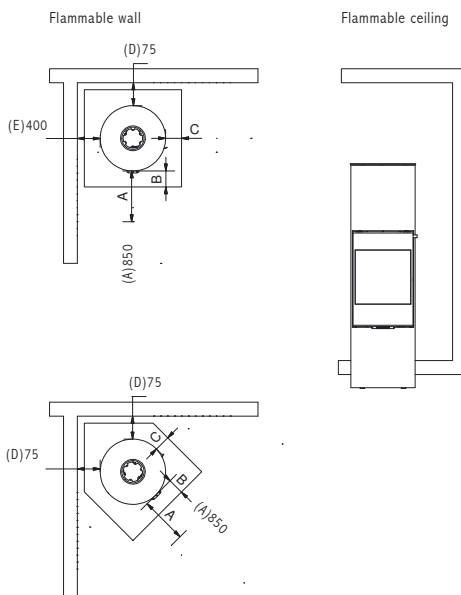
DISTANCE TO FLAMMABLE MATERIAL

To wall at side	400	mm
To wall at back	75	mm
To non-flammable wall and at sides and back we recommend	50	mm

WEIGHT

- heat accumulation stone	100	kg
	96	kg

\* CleverAir



# RAIS VIVA L 160 WITH SIDE GLASS



TECHNICAL DATA:

DIMENSIONS (W-D-H)

Woodburning stove's ext. dim.	Ø470-1618	mm
Combustion chamber's int. dim.	352-292-446	mm
Flue exit (diameter)	Ø150	mm
Distance from center of flue to back edge of the top plate	235	mm
Distance from floor to AirSystem connection	121	mm
Distance from floor to centre flue exit top plate	1039	mm
Distance from floor to flue exit at back	967	mm
AirSystem connection	Ø100	mm

KEY FIGURES

Output (Nominal)	4,8	kW
Output (Min-max)	3-7	kW
Heat (at 20 degrees)	45-105	m <sup>2</sup>
Efficiency	80	%
Particulates	1,89* / 2,11	g/kg

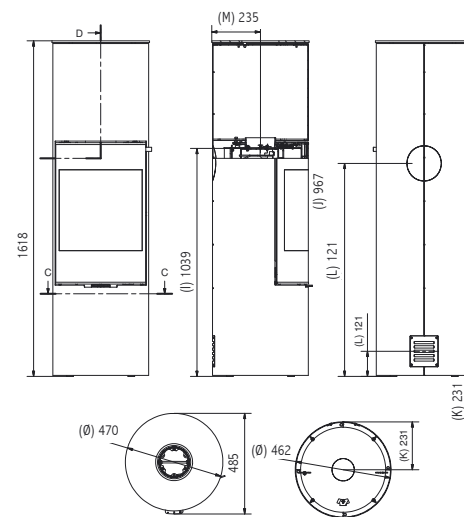
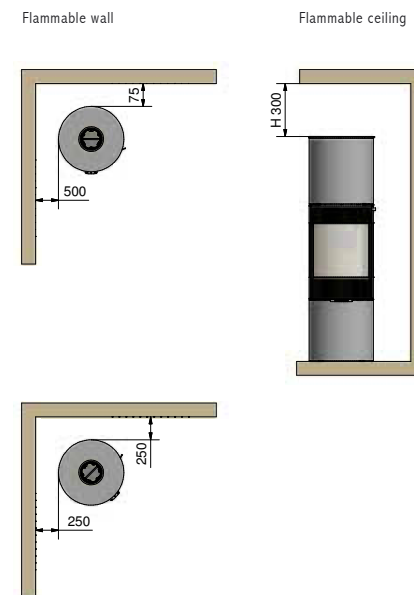
DISTANCE TO FLAMMABLE MATERIAL

To wall at side	400	mm
To wall at back	75	mm
To non-flammable wall and at sides and back we recommend	50	mm

WEIGHT

- heat accumulation stone	100	kg
	96	kg

\* CleverAir



# RAIS PILAR 180/153

TECHNICAL DATA:

DIMENSIONS (W-D-H)

Woodburning stove's ext. dim.	0456-1795/1525 mm
Combustion chamber's int. dim.	308-225-383 mm
Flue exit (diameter)	Ø150 mm
Distance from center of flue to back edge of the top plate	228 mm
Distance from floor to AirSystem connection	125 mm
Distance from floor to centre flue exit top plate	1258/1213 mm
Distance from floor to flue exit at back	1160/1115 mm
AirSystem connection	Ø100 mm

KEY FIGURES

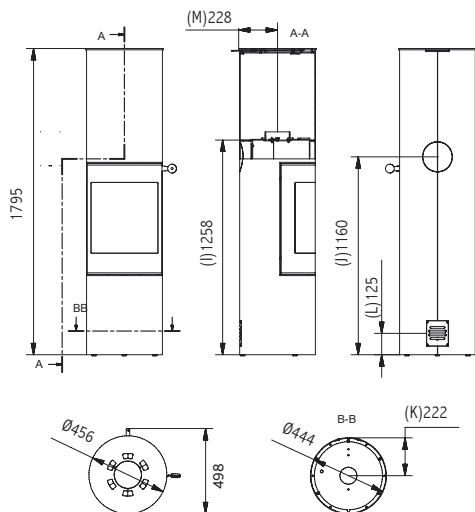
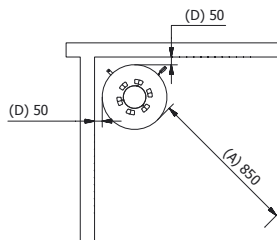
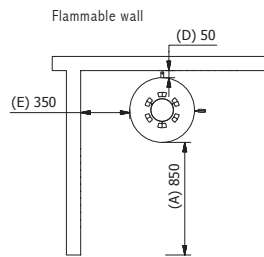
Output (Nominal)	4,8 kW
Output (Min-max)	3-6 kW
Heat (at 20 degrees)	30-90 m <sup>2</sup>
Efficiency	83 %
Particulates	1.9 g/kg

DISTANCE TO FLAMMABLE MATERIAL

To wall at side	350 mm
To wall at back	50 mm
Distance to flammable with swivel	850 mm
To non-flammable wall and at sides and back we recommend	150 mm

WEIGHT

- heat accumulation stone	144/153 kg
	96 kg



# RAIS BIONIC FIRE

TECHNICAL DATA:

DIMENSIONS (W-D-H)

Woodburning stove's ext. dim.	406-409/1252 mm
Combustion chamber's int. dim.	280-200-300 mm
Flue exit (diameter)	Ø150 mm
Distance from center of flue to back edge of the top plate	207 mm
Distance from floor to AirSystem connection	100 mm
Distance from floor to centre flue exit top plate	1178 mm
Distance from floor to flue exit at back	1088 mm
AirSystem connection	Ø100 mm

KEY FIGURES

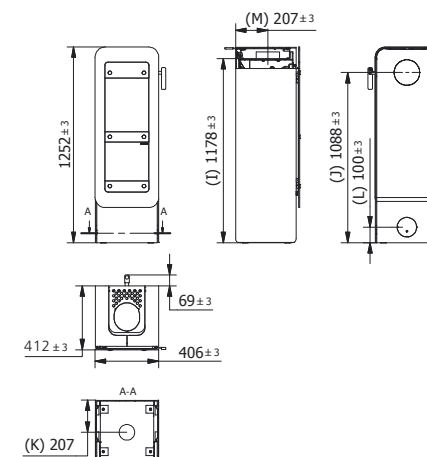
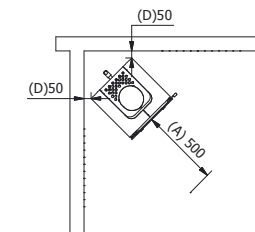
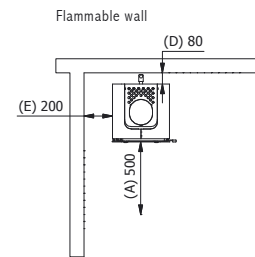
Output (Nominal)	4,6 kW
Output (Min-max)	3-5.5 kW
Heat (at 20 degrees)	45-83 m <sup>2</sup>
Efficiency	86 %
Particulates	>0,6 g/kg

DISTANCE TO FLAMMABLE MATERIAL

To wall at side	200 mm
To wall at back	80 mm
To non-flammable wall and at sides and back we recommend	50 mm

WEIGHT

	180 kg
--	--------



# RAIS Q-BE/Q-BE XL



TECHNICAL DATA:

DIMENSIONS (W-D-H)

Woodburning stove's ext. dim.	373-373-1370/1783	mm
Combustion chamber's int. dim.	239-239-505	mm
Flue exit (diameter)	Ø150	mm
Distance from center of flue to back edge of the top plate	187	mm
Distance from floor to AirSystem connection	120	mm
Distance from floor to centre flue exit top plate	1329	mm
AirSystem connection	Ø100	mm

KEY FIGURES

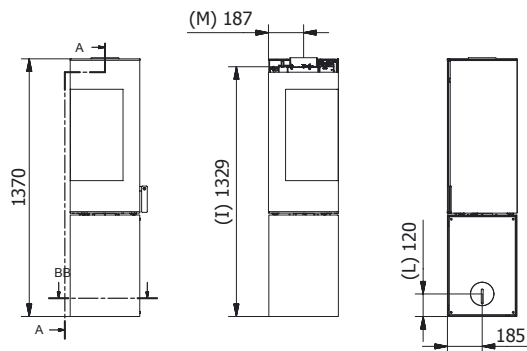
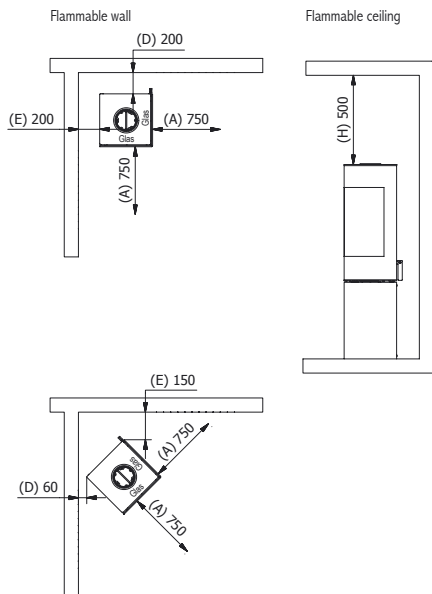
Output (Nominal)	5,0	kW
Output (Min-max)	4-8	kW
Heat (at 20 degrees)	60-120	m <sup>2</sup>
Efficiency	80	%
Particulates	1,4	g/kg

DISTANCE TO FLAMMABLE MATERIAL

To wall at side	200	mm
To wall at back	200	mm
To non-flammable wall and at sides and back we recommend	50	mm

WEIGHT

	122,5	kg
- heat accumulation stone	20	kg
- XL heat accumulation stone	72	kg



# RAIS RINA

TECHNICAL DATA:

DIMENSIONS (W-D-H)

Woodburning stove's ext. dim.	461-411-901	mm
Combustion chamber's int. dim.	295-225-393	mm
Flue exit (diameter)	Ø150	mm
Distance from center of flue to back edge of the top plate	179	mm
Distance from floor to AirSystem connection	119	mm
Distance from floor to centre flue exit top plate	861	mm
Distance from floor to flue exit at back	786	mm
AirSystem connection	Ø100	mm

KEY FIGURES

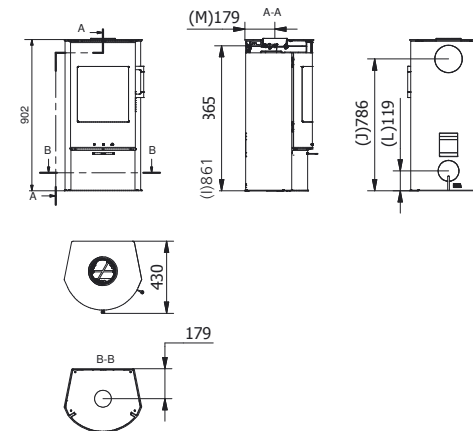
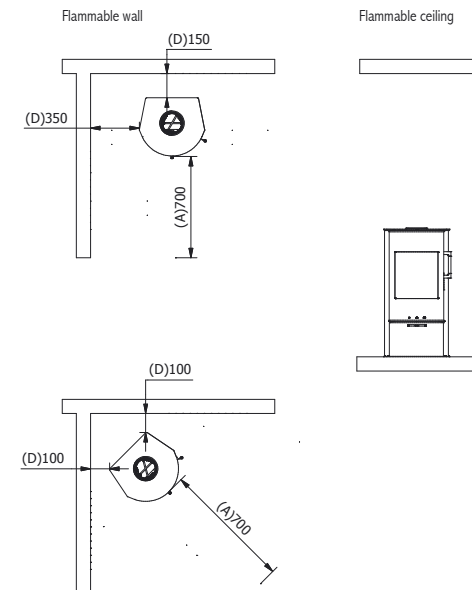
Output (Nominal)	4	kW
Output (Min-max)	2-6	kW
Heat (at 20 degrees)	30-90	m <sup>2</sup>
Efficiency	79	%
Particulates	1,39	g/kg

DISTANCE TO FLAMMABLE MATERIAL

To wall at side	350	mm
To wall at back	150	mm
To non-flammable wall and at sides and back we recommend	50	mm

WEIGHT

	105	kg
--	-----	----





# RAIS Q-TEE

TECHNICAL DATA:

DIMENSIONS (W-D-H)

Woodburning stove's ext. dim.	435-388-565/645/850 mm
Combustion chamber's int. dim.	317-270-270 mm
Flue exit (diameter)	Ø150 mm
Distance from center of flue to back edge of the top plate	131 mm
Distance from floor to AirSystem connection	105/185/390 mm
Distance from floor to centre flue exit top plate	557-637/842 mm
Distance from floor to flue exit at back	201/207 mm
AirSystem connection	Ø100 mm

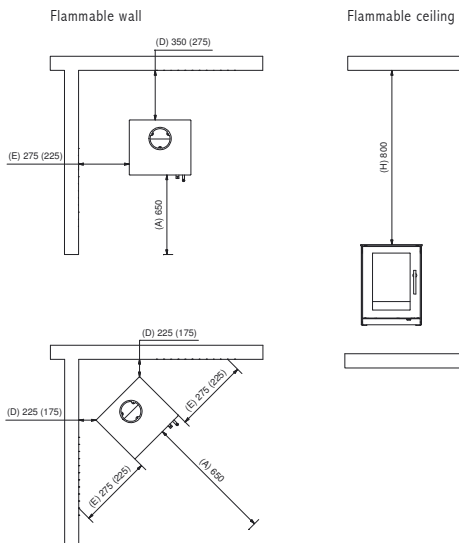
KEY FIGURES

Output (Nominal)	4,1 kW
Output (Min-max)	2-6 kW
Heat (at 20 degrees)	30-90 m <sup>2</sup>
Efficiency	80 %
Particulates	0,8 g/kg

DISTANCE TO FLAMMABLE MATERIAL

To wall at side	275 mm
To wall at back	350 mm
To non-flammable wall and at sides and back we recommend	50 mm

WEIGHT	80/83/95 kg
--------	-------------



# RAIS Q-TEE 2

TECHNICAL DATA:

DIMENSIONS (W-D-H)

Woodburning stove's ext. dim.	582-410-598 mm
Combustion chamber's int. dim.	446-277-265 mm
Flue exit (diameter)	Ø150 mm
Distance from center of flue to back edge of the top plate	131 mm
Distance from floor to AirSystem connection	105 mm
Distance from floor to centre flue exit top plate	590 mm
Distance from floor to flue exit at back	470 mm
AirSystem connection	Ø100 mm

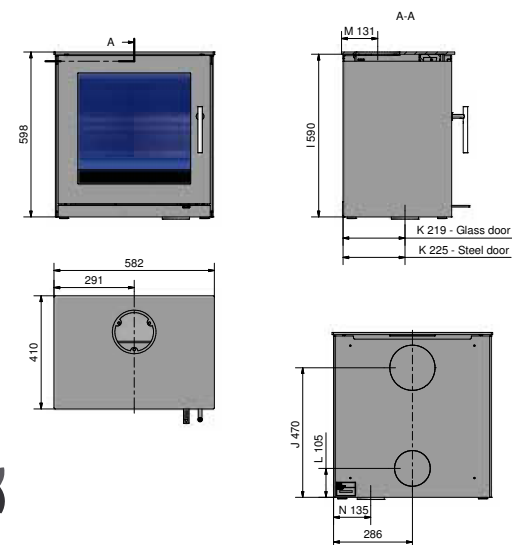
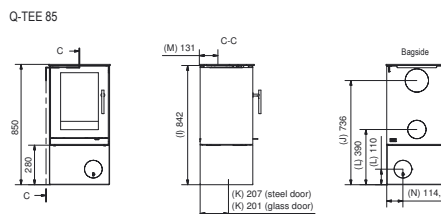
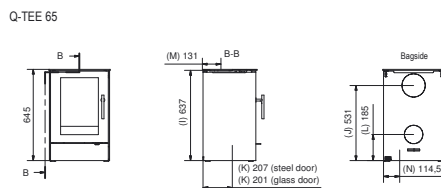
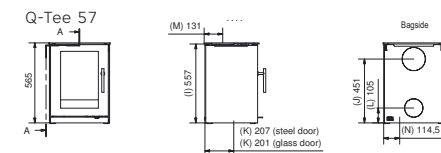
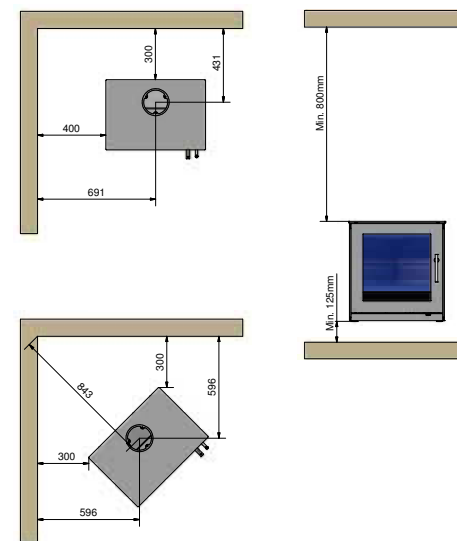
KEY FIGURES

Output (Nominal)	6,5 kW
Output (Min-max)	3-8 kW
Heat (at 20 degrees)	45-120 m <sup>2</sup>
Efficiency	81 %
Particulates	1,9 g/kg

DISTANCE TO FLAMMABLE MATERIAL

To wall at side	400 mm
To wall at back	300 mm
To non-flammable wall and at sides and back we recommend	50 mm

WEIGHT	150 kg
--------	--------





## RAIS Q-TEE 2 WITH BASE

### TECHNICAL DATA:

#### DIMENSIONS (W-D-H)

Woodburning stove's ext. dim.	582-410-883/983	mm
Combustion chamber's int. dim.	446-277-265	mm
Flue exit (diameter)	Ø150	mm
Distance from center of flue to back edge of the top plate	131	mm
Distance from floor to AirSystem connection	110/390/490	mm
Distance from floor to centre flue exit top plate	875/975	mm
Distance from floor to flue exit at back	755/855	mm
AirSystem connection	Ø100	mm

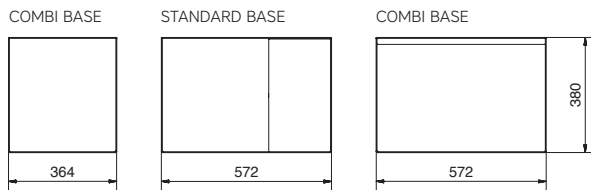
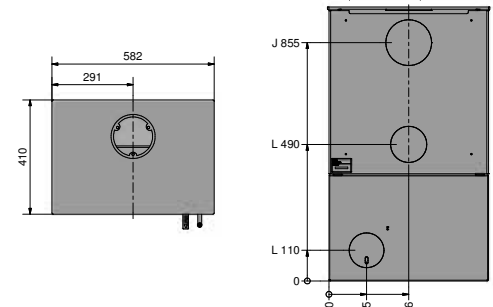
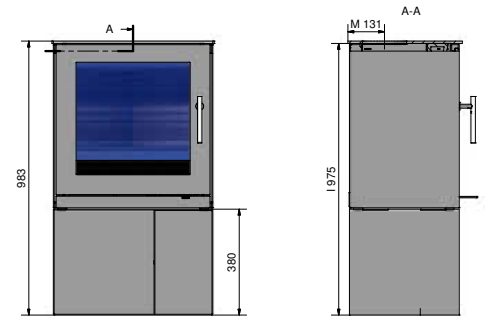
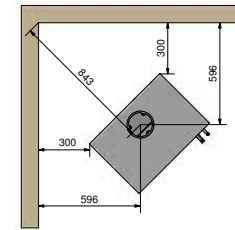
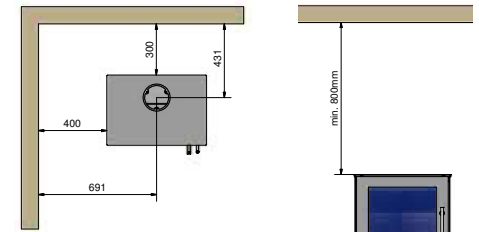
#### KEY FIGURES

Output (Nominal)	6,5	kW
Output (Min-max)	3-8	kW
Heat (at 20 degrees)	45-120	m <sup>2</sup>
Efficiency	81	%
Particulates	1,9	g/kg

#### DISTANCE TO FLAMMABLE MATERIAL

To wall at side	400	mm
To wall at back	300	mm
To non-flammable wall and at sides and back we recommend	50	mm

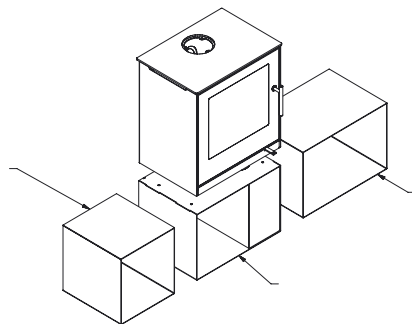
WEIGHT	173/175	kg
--------	---------	----



#### THE COMBI BASE

These extra modules provide flexibility and various options in terms of the design. Place your Q-Tee 2 as you see fit! Then use further modules to implement your ideas for the room.

The Q-Tee model can also be placed on a combi base element (see photo). Combi base elements can also be used individually or multiple as an alternative firewood rack.



# RAIS Q-TEE 2 WITH LEGS

TECHNICAL DATA:

DIMENSIONS (W-D-H)

Woodburning stove's ext. dim.	582-410-723/763 mm
Combustion chamber's int. dim.	446-277-256 mm
Flue exit (diameter)	Ø150 mm
Distance from center of flue to back edge of the top plate	131 mm
Distance from floor to AirSystem connection	230/270 mm
Distance from floor to centre flue exit top plate	715/755 mm
Distance from floor to flue exit at back	595/635 mm
AirSystem connection	Ø100 mm

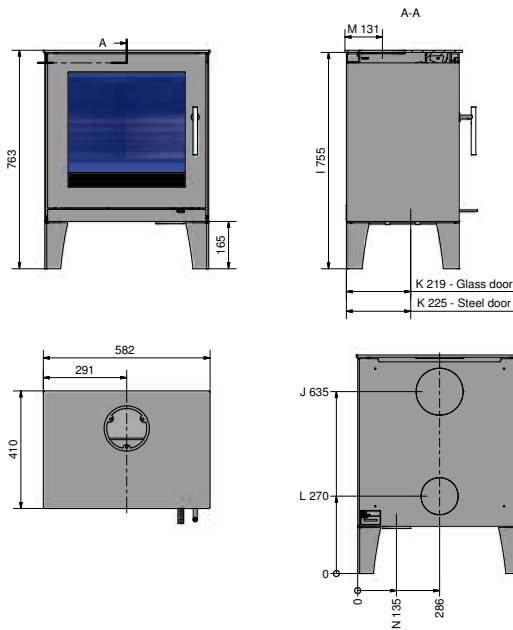
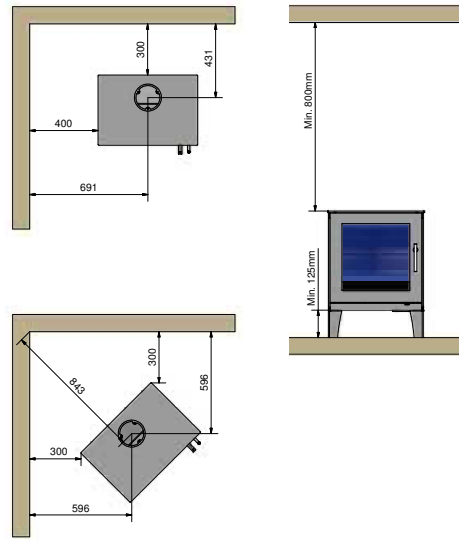
KEY FIGURES

Output (Nominal)	6,5 kW
Output (Min-max)	3-8 kW
Heat (at 20 degrees)	45-120 m <sup>2</sup>
Efficiency	81 %
Particulates	1,9 g/kg

DISTANCE TO FLAMMABLE MATERIAL

To wall at side	400 mm
To wall at back	300 mm
To non-flammable wall and at sides and back we recommend	50 mm

WEIGHT	157/158 kg
--------	------------



# RAIS Q-TEE 2 C

TECHNICAL DATA:

DIMENSIONS (W-D-H)

Woodburning stove's ext. dim.	660-479-598 mm
Combustion chamber's int. dim.	446-277-256 mm
Flue exit (diameter)	Ø150 mm
Distance from center of flue to back edge of the top plate	159 mm
Distance from floor to AirSystem connection	105 mm
Distance from floor to centre flue exit top plate	590 mm
Distance from floor to flue exit at back	470 mm
AirSystem connection	Ø100 mm

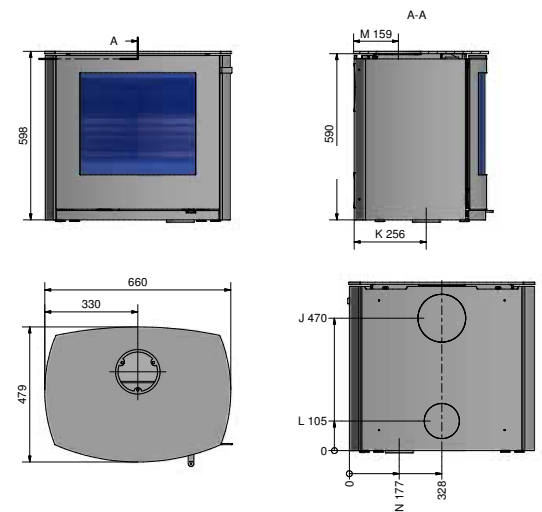
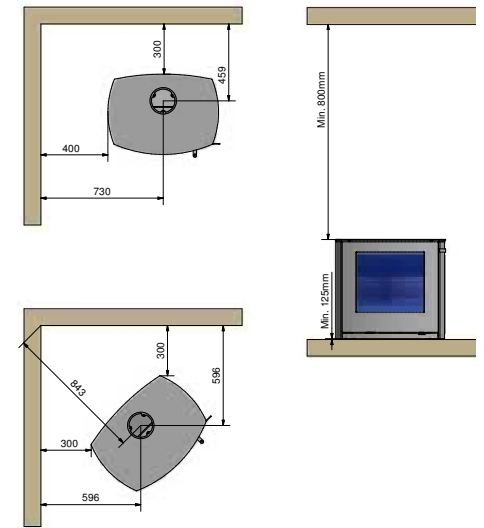
KEY FIGURES

Output (Nominal)	6,5 kW
Output (Min-max)	3-8 kW
Heat (at 20 degrees)	45-120 m <sup>2</sup>
Efficiency	81 %
Particulates	1,9 g/kg

DISTANCE TO FLAMMABLE MATERIAL

To wall at side	400 mm
To wall at back	300 mm
To non-flammable wall and at sides and back we recommend	50 mm

WEIGHT	150 kg
--------	--------



# RAIS Q-TEE 2 C WITH BASE

TECHNICAL DATA:

DIMENSIONS (W-D-H)

Woodburning stove's ext. dim.	660-479-881/981 mm
Combustion chamber's int. dim.	440-277-256 mm
Flue exit (diameter)	Ø150 mm
Distance from center of flue to back edge of the top plate	159 mm
Distance from floor to AirSystem connection	108 mm
Distance from floor to centre flue exit top plate	873/973 mm
Distance from floor to flue exit at back	753/853 mm
AirSystem connection	Ø100 mm

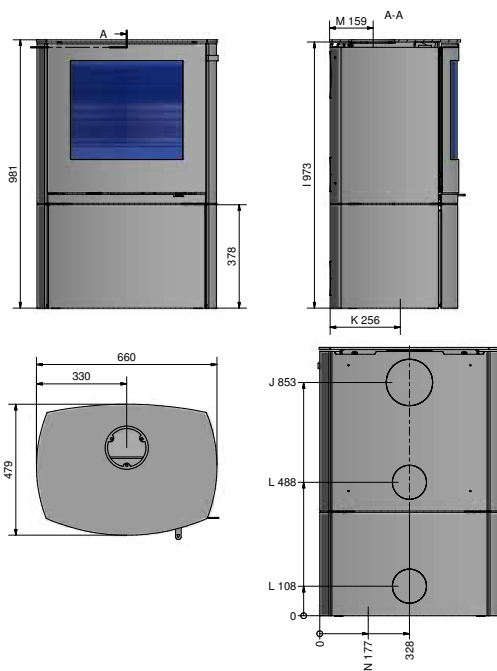
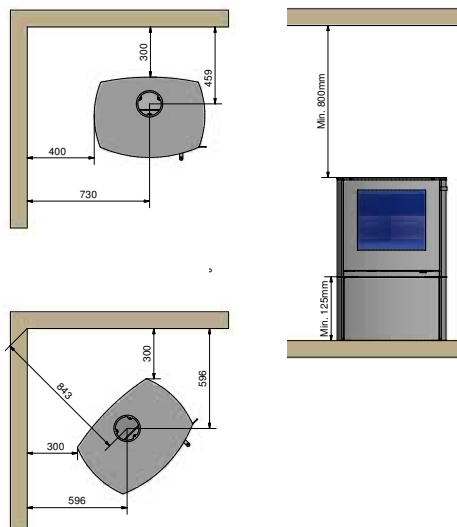
KEY FIGURES

Output (Nominal)	6,5 kW
Output (Min-max)	3-8 kW
Heat (at 20 degrees)	45-120 m <sup>2</sup>
Efficiency	81 %
Particulates	1,9 g/kg

DISTANCE TO FLAMMABLE MATERIAL

To wall at side	400 mm
To wall at back	300 mm
To non-flammable wall and at sides and back we recommend	50 mm

WEIGHT	180/185 kg
--------	------------



# RAIS Q-TEE 2 C WITH LEGS

TECHNICAL DATA:

DIMENSIONS (W-D-H)

Woodburning stove's ext. dim.	660-479-723/768 mm
Combustion chamber's int. dim.	446-277-256 mm
Flue exit (diameter)	Ø150 mm
Distance from center of flue to back edge of the top plate	159 mm
Distance from floor to AirSystem connection	230/275 mm
Distance from floor to centre flue exit top plate	715/760 mm
Distance from floor to flue exit at back	640/595 mm
AirSystem connection	Ø100 mm

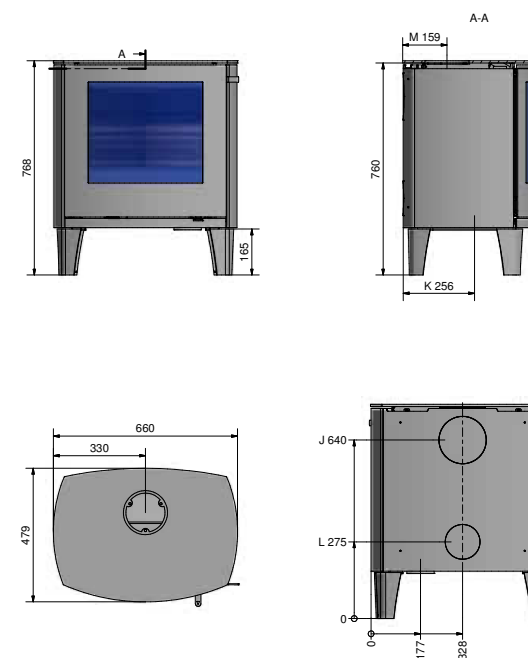
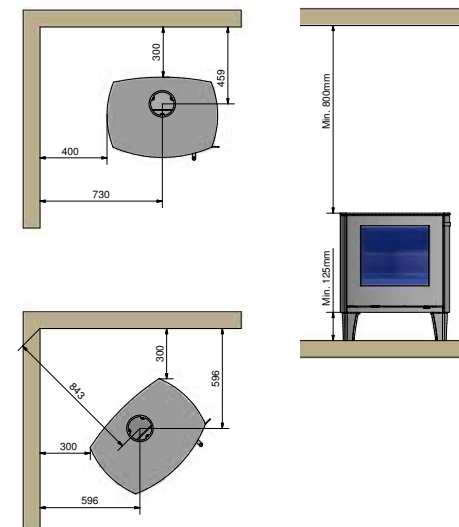
KEY FIGURES

Output (Nominal)	6,5 kW
Output (Min-max)	3-8 kW
Heat (at 20 degrees)	45-120 m <sup>2</sup>
Efficiency	81 %
Particulates	1,9 g/kg

DISTANCE TO FLAMMABLE MATERIAL

To wall at side	400 mm
To wall at back	300 mm
To non-flammable wall and at sides and back we recommend	50 mm

WEIGHT	157/158 kg
--------	------------



# RAIS POLEO SOAPSTONE

TECHNICAL DATA:

DIMENSIONS (W-D-H)

Woodburning stove's ext. dim.	548-429-1090 mm
Combustion chamber's int. dim.	360-240-370 mm
Flue exit (diameter)	Ø150 mm
Distance from center of flue to back edge of the top plate	215 mm
Distance from floor to AirSystem connection	120 mm
Distance from floor to centre flue exit top plate	1010 mm
Distance from floor to flue exit at back	922 mm
AirSystem connection	Ø100 mm

KEY FIGURES

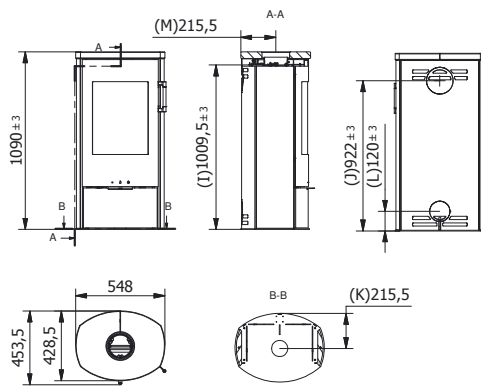
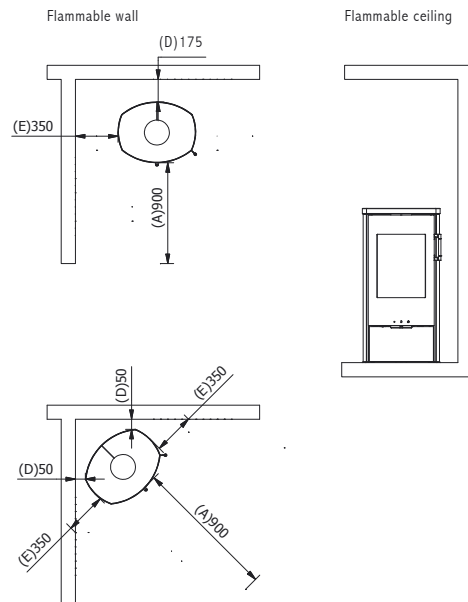
Output (Nominal)	5,8 kW
Output (Min-max)	4-8 kW
Heat (at 20 degrees)	60-120 m <sup>2</sup>
Efficiency	79 %
Particulates	2,6 g/kg

DISTANCE TO FLAMMABLE MATERIAL

To wall at side	350 mm
To wall at back	175 mm
To non-flammable wall and at sides and back we recommend	50 mm

WEIGHT

	200 kg
- heat accumulation stone	77 kg



# RAIS RINA SOAPSTONE

TECHNICAL DATA:

DIMENSIONS (W-D-H)

Woodburning stove's ext. dim.	469-429-969 mm
Combustion chamber's int. dim.	295-225-393 mm
Flue exit (diameter)	Ø150 mm
Distance from center of flue to back edge of the top plate	178 mm
Distance from floor to AirSystem connection	119 mm
Distance from floor to centre flue exit top plate	894 mm
Distance from floor to flue exit at back	818 mm
AirSystem connection	Ø100 mm

KEY FIGURES

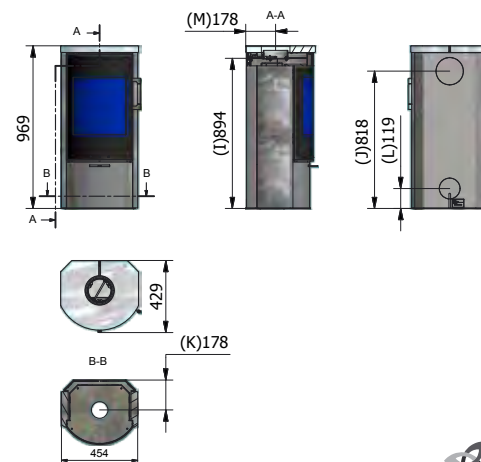
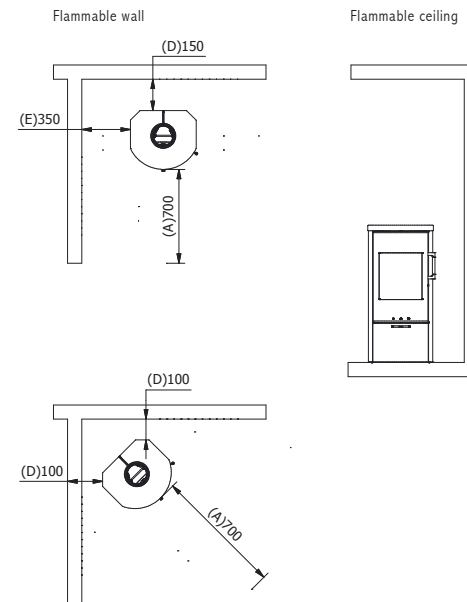
Output (Nominal)	4 kW
Output (Min-max)	2-6 kW
Heat (at 20 degrees)	30-90 m <sup>2</sup>
Efficiency	79 %
Particulates	1,39 g/kg

DISTANCE TO FLAMMABLE MATERIAL

To wall at side	350 mm
To wall at back	150 mm
To non-flammable wall and at sides and back we recommend	50 mm

WEIGHT

	149 kg
- heat accumulation stone	63 kg



# RAIS JUNO 160/120 WITHOUT SIDE GLASS

TECHNICAL DATA:

DIMENSIONS (W-D-H)

Woodburning stove's ext. dim.	Ø470-1654/1200	mm
Combustion chamber's int. dim.	295-225-393	mm
Flue exit (diameter)	Ø150	mm
Distance from center of flue to back edge of the top plate	235	mm
Distance from floor to AirSystem connection	121	mm
Distance from floor to centre flue exit top plate	1095	mm
Distance from floor to flue exit at back	1015	mm
AirSystem connection	Ø100	mm

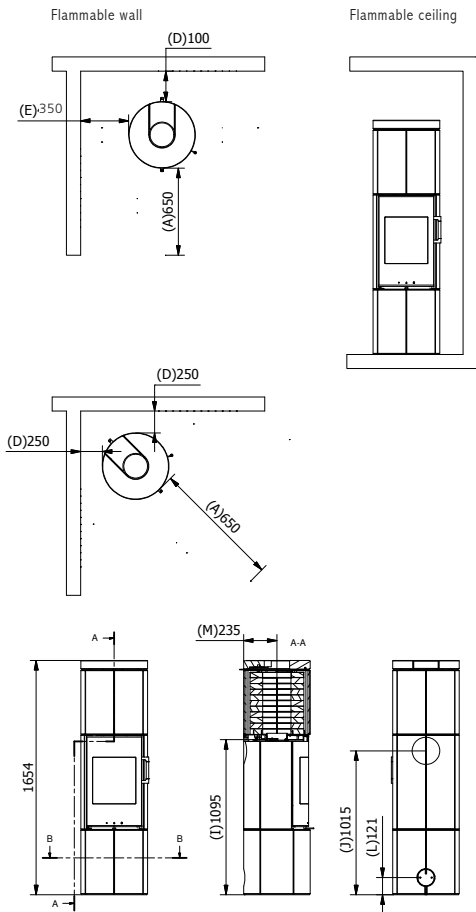
KEY FIGURES

Output (Nominal)	4	kW
Output (Min-max)	2-6	kW
Heat (at 20 degrees)	30-90	m <sup>2</sup>
Efficiency	79	%
Particulates	1,39	g/kg

DISTANCE TO FLAMMABLE MATERIAL

To wall at side	350	mm
To wall at back	100	mm
To non-flammable wall and at sides and back we recommend	50	mm

WEIGHT	286/238	kg
- heat accumulation stone	189/137	kg
Extra heat accumulation stone	84	kg



# RAIS JUNO 160/120 WITH SIDE GLASS

TECHNICAL DATA:

DIMENSIONS (W-D-H)

Woodburning stove's ext. dim.	Ø470-1654/1200	mm
Combustion chamber's int. dim.	295-225-393	mm
Flue exit (diameter)	Ø150	mm
Distance from center of flue to back edge of the top plate	235	mm
Distance from floor to AirSystem connection	121	mm
Distance from floor to centre flue exit top plate	1095	mm
Distance from floor to flue exit at back	1015	mm
AirSystem connection	Ø100	mm

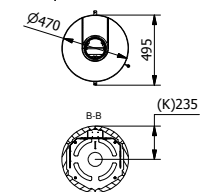
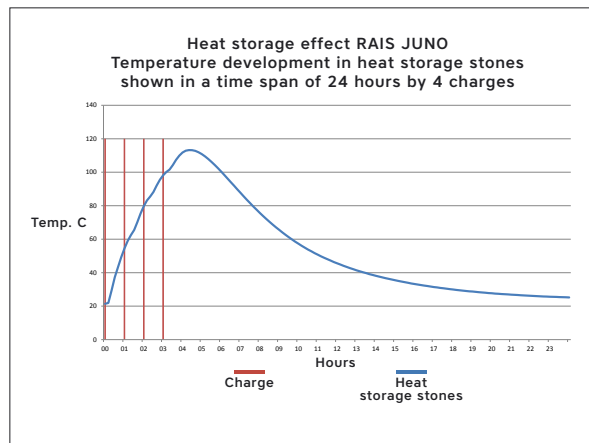
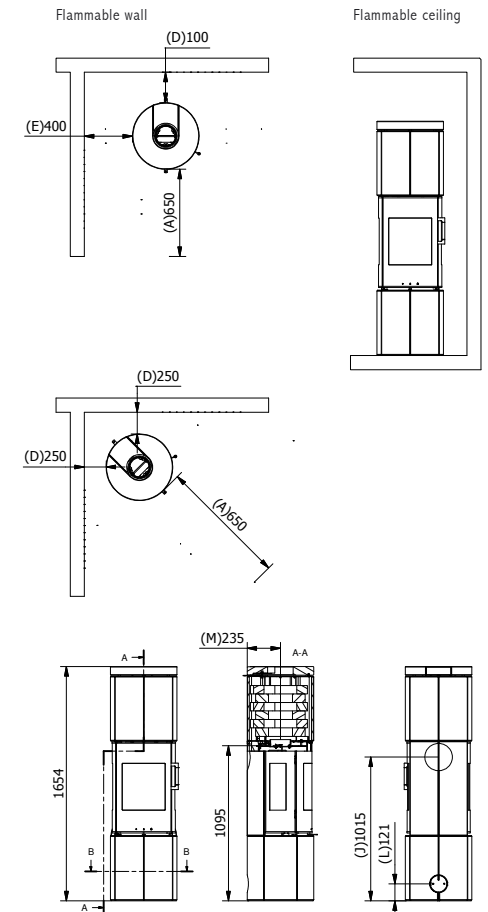
KEY FIGURES

Output (Nominal)	4	kW
Output (Min-max)	2-6	kW
Heat (at 20 degrees)	30-90	m <sup>2</sup>
Efficiency	79	%
Particulates	1,39	g/kg

DISTANCE TO FLAMMABLE MATERIAL

To wall at side	400	mm
To wall at back	100	mm
To non-flammable wall and at sides and back we recommend	50	mm

WEIGHT	265/213	kg
- heat accumulation stone	169/117	kg
Extra heat accumulation stone	84	kg



# RAIS JUNO 120/160 CERAMIC W/O SIDE GLASS

TECHNICAL DATA:

DIMENSIONS (W-D-H)

Woodburning stove's ext. dim.	Ø470-1654/1200 mm
Combustion chamber's int. dim.	295-225-393 mm
Flue exit (diameter)	Ø150 mm
Distance from center of flue to back edge of the top plate	235 mm
Distance from floor to AirSystem connection	121 mm
Distance from floor to centre flue exit top plate	1095 mm
Distance from floor to flue exit at back	1015 mm
AirSystem connection	Ø100 mm

KEY FIGURES

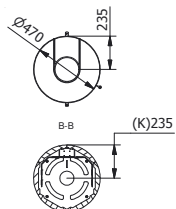
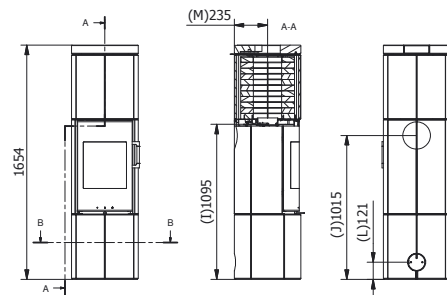
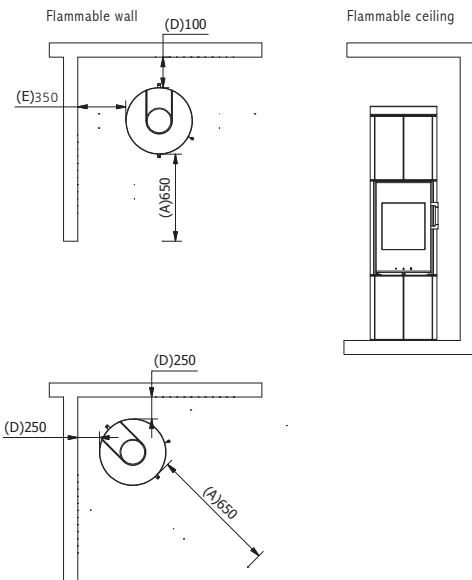
Output (Nominal)	4 kW
Output (Min-max)	2-6 kW
Heat (at 20 degrees)	30-90 m <sup>2</sup>
Efficiency	79 %
Particulates	1,39 g/kg

DISTANCE TO FLAMMABLE MATERIAL

To wall at side	350 mm
To wall at back	100 mm
To non-flammable wall and at sides and back we recommend	50 mm

WEIGHT

	222/188 kg
- heat accumulation stone	189/137 kg
- Extra heat accumulation stone	84 kg



# RAIS JUNO 120/160 CERAMIC WITH SIDE GLASS

TECHNICAL DATA:

DIMENSIONS (W-D-H)

Woodburning stove's ext. dim.	Ø470-1654/1200 mm
Combustion chamber's int. dim.	320-225-393 mm
Flue exit (diameter)	Ø150 mm
Distance from center of flue to back edge of the top plate	235 mm
Distance from floor to AirSystem connection	121 mm
Distance from floor to centre flue exit top plate	1095 mm
Distance from floor to flue exit at back	1015 mm
AirSystem connection	Ø100 mm

KEY FIGURES

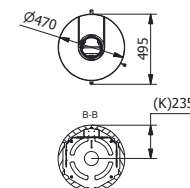
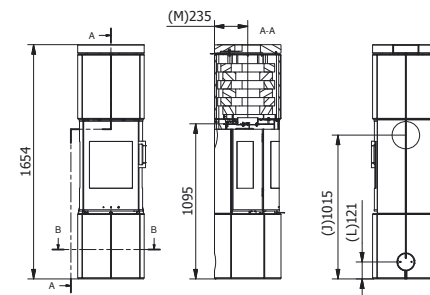
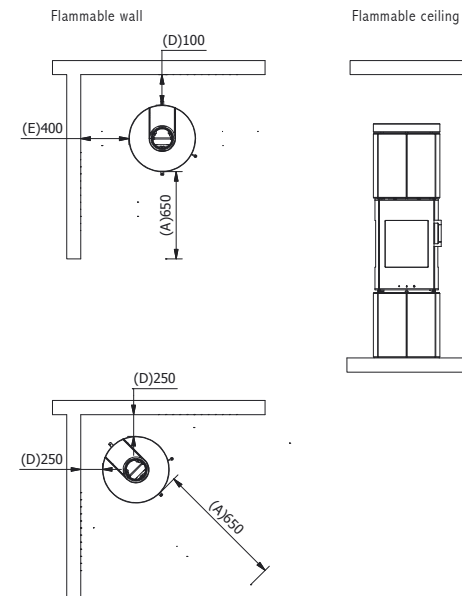
Output (Nominal)	4 kW
Output (Min-max)	2-6 kW
Heat (at 20 degrees)	30-90 m <sup>2</sup>
Efficiency	79 %
Particulates	1,39 g/kg

DISTANCE TO FLAMMABLE MATERIAL

To wall at side	400 mm
To wall at back	100 mm
To non-flammable wall and at sides and back we recommend	50 mm

WEIGHT

	222/188 kg
- heat accumulation stone	126/92 kg
- Extra heat accumulation stone	74 kg





# RAIS VISIO 1

## TECHNICAL DATA:

### DIMENSIONS (W-D-H)

Fireplace inset's ext. dimensions	905-610-1643	mm
Combustion chamber's int. dim.	697-330-475	mm
Finished face opening	770-432	mm
Outer Frame Dimensions	781-444	mm
Flue exit (diameter)	200	mm
AirSystem connection	Ø150	mm

### KEY FIGURES

Output (Nominal)	7	kW
Output (Min-max)	5-9	kW
Heat (at 20 degrees)	75-120	m <sup>2</sup>
Efficiency	80	%
Particulates	<6,5	g/kg

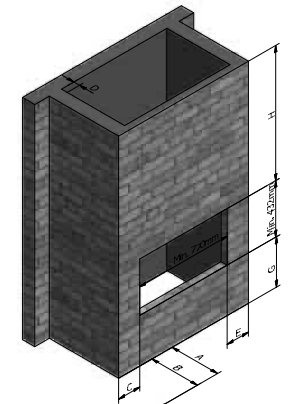
### DISTANCE TO FLAMMABLE MATERIAL

E - To wall at side	400	mm
D - To wall at back	75	mm
H - To the ceiling	1285	mm
C - To the side	-	mm
G - To the floor	385	mm
B - In front of the floor	-	mm
A - To furniture	1400	mm

WEIGHT	280	kg
--------	-----	----

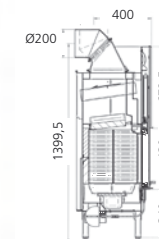
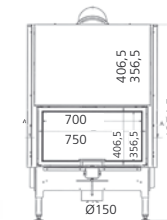
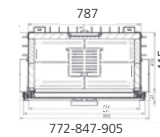
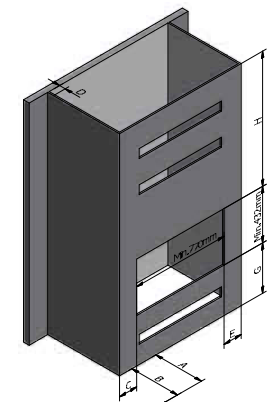
Finished face opening - Brick  
(see user manual)

Recommended convection area  
top min. 600 cm<sup>2</sup>  
bottom min. 400 cm<sup>2</sup>



Finished face opening –  
fire retardant material  
(see user manual)

Recommended convection area  
top min. 600 cm<sup>2</sup>  
bottom min. 400 cm<sup>2</sup>





# RAIS VISIO 2

TECHNICAL DATA:

DIMENSIONS (W-D-H)

Fireplace inset's ext. dimensions	833-593-1617	mm
Combustion chamber's int. dim.	533-333-466	mm
Finished face opening	685-490-432	mm
Outer Frame Dimensions	751-557-444	mm
Flue exit (diameter)	200	mm
AirSystem connection	Ø150	mm

KEY FIGURES

Output (Nominal)	7	kW
Output (Min-max)	5-9	kW
Heat (at 20 degrees)	75-120	m <sup>2</sup>
Efficiency	80	%
Particulates	<6,5	g/kg

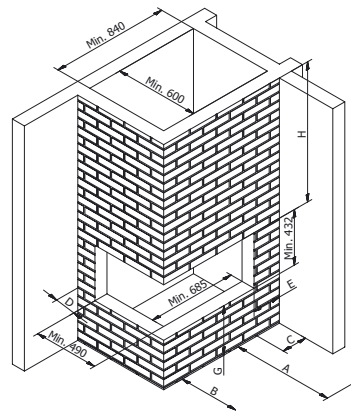
DISTANCE TO FLAMMABLE MATERIAL

E - To wall at side	300	mm
D - To wall at back	75	mm
H - To the ceiling	1285	mm
C - To the side	-	mm
G - To the floor	385	mm
B - In front of the floor	-	mm
A - To furniture	1200	mm

WEIGHT	259	kg
--------	-----	----

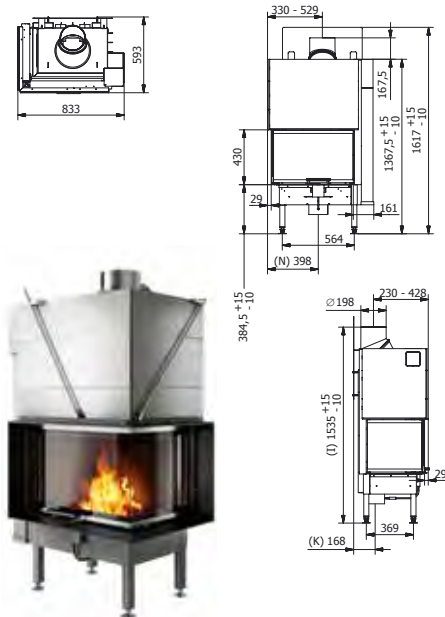
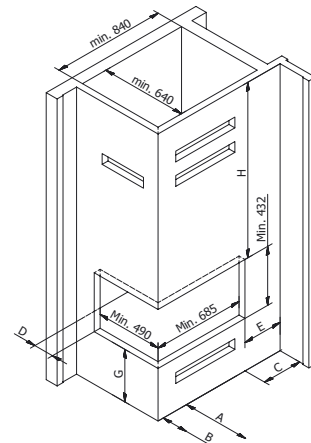
Finished face opening - Brick  
(see user manual)

Recommended convection area  
top min. 600 cm<sup>2</sup>  
bottom min. 400 cm<sup>2</sup>



Finished face opening –  
fire retardant material  
(see user manual)

Recommended convection area  
top min. 600 cm<sup>2</sup>  
bottom min. 400 cm<sup>2</sup>



# RAIS VISIO 3

TECHNICAL DATA:

DIMENSIONS (W-D-H)

Fireplace inset's ext. dimensions	759-564-1537	mm
Combustion chamber's int. dim.	533-333-466	mm
Finished face opening	685-490-432	mm
Outer Frame Dimensions	891-512-444	mm
Flue exit (diameter)	200	mm
AirSystem connection	Ø150	mm

KEY FIGURES

Output (Nominal)	7	kW
Output (Min-max)	5-9	kW
Heat (at 20 degrees)	75-120	m <sup>2</sup>
Efficiency	80	%
Particulates	<6,5	g/kg

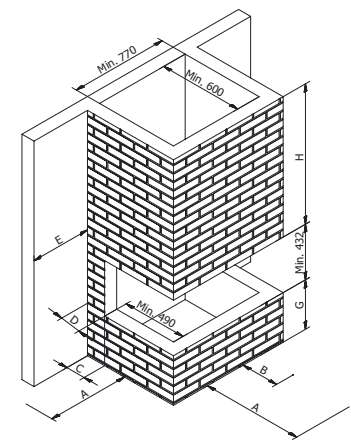
DISTANCE TO FLAMMABLE MATERIAL

E - To wall at side	220	mm
D - To wall at back	50	mm
H - To the ceiling	1285	mm
C - To the side	-	mm
G - To the floor	385	mm
B - In front of the floor	-	mm
A - To furniture	1200	mm

WEIGHT	260	kg
--------	-----	----

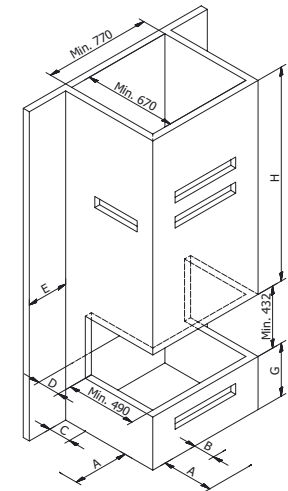
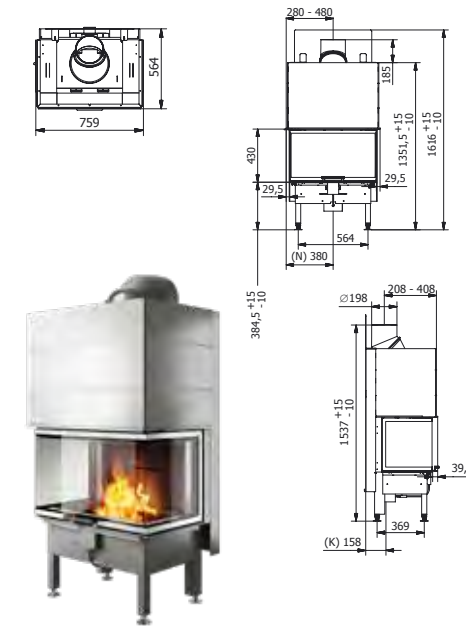
Finished face opening - Brick  
(see user manual)

Recommended convection area  
top min. 600 cm<sup>2</sup>  
bottom min. 400 cm<sup>2</sup>



Finished face opening –  
fire retardant material  
(see user manual)

Recommended convection area  
top min. 600 cm<sup>2</sup>  
bottom min. 400 cm<sup>2</sup>



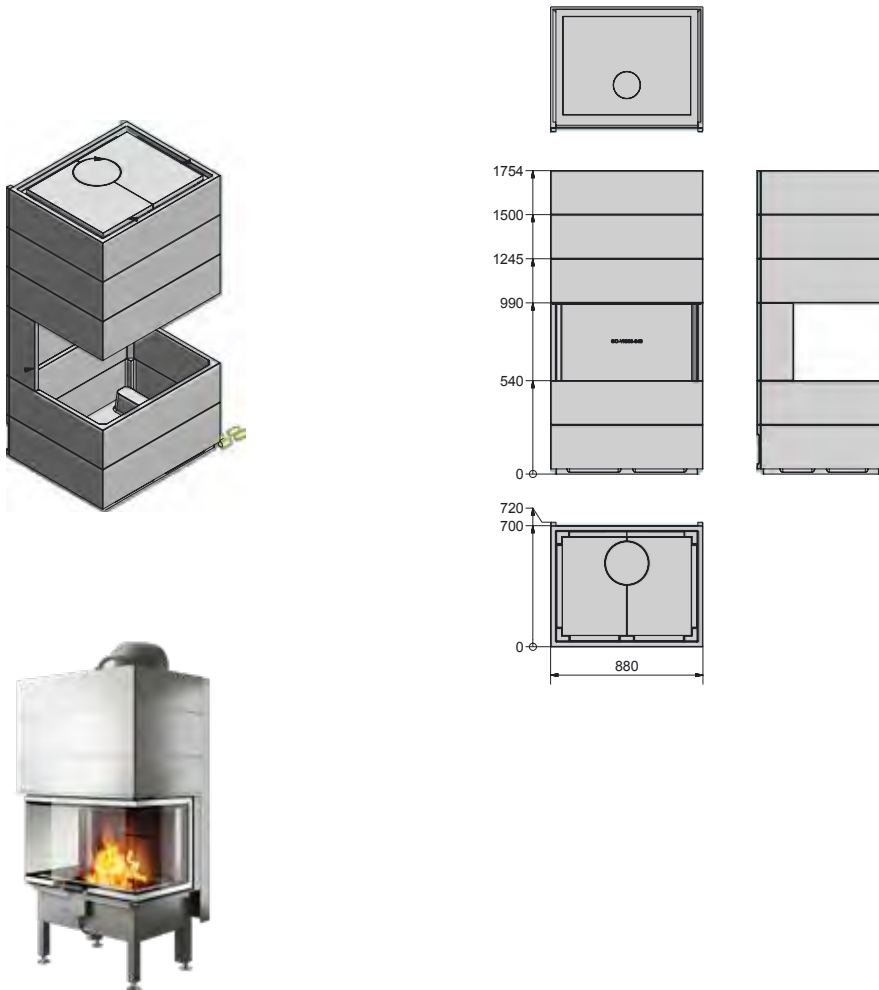
# RAIS VISIO 3 ELEMENT

TECHNICAL DATA:

DIMENSIONS (W-D-H)

Fireplace inset's ext. dimensions 880-700-1754 mm

WEIGHT 350 kg



# RAIS VISIO 2:1

TECHNICAL DATA:

DIMENSIONS (W-D-H)

Fireplace inset's ext. dimensions 962-652-1506 mm

Combustion chamber's int. dim. 694-222-210 mm

Finished face opening 788-444 mm

Outer Frame Dimensions 781-444/788-443 mm

Flue exit (diameter) Ø200 mm

AirSystem connection Ø150 mm

KEY FIGURES

Output (Nominal) 8,6 kW

Output (Min-max) 5-9 kW

Heat (at 20 degrees) 75-120 m<sup>2</sup>

Efficiency 80 %

Particulates 3,6 g/kg

DISTANCE TO FLAMMABLE MATERIAL

E - To wall at side 350 mm

H - To the ceiling 1182 mm

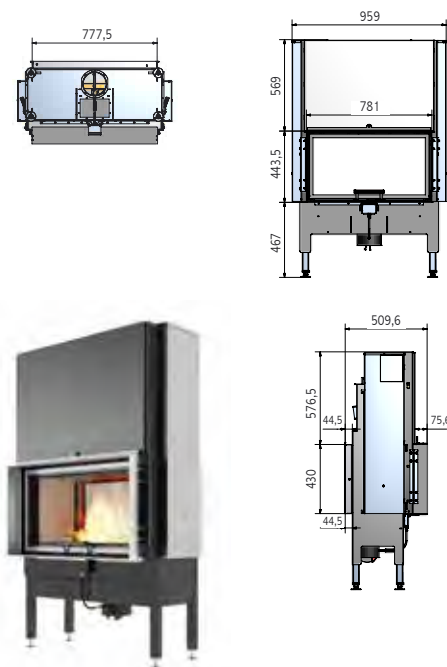
C - To the side - mm

G - To the floor 475 mm

B - In front of the floor - mm

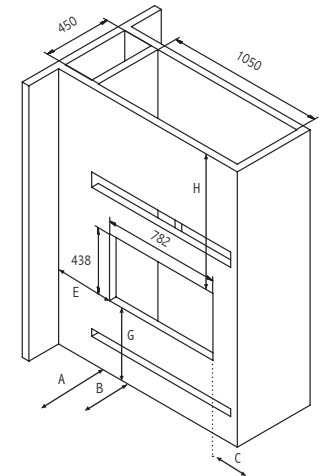
A - To furniture 1200 mm

WEIGHT 235 kg



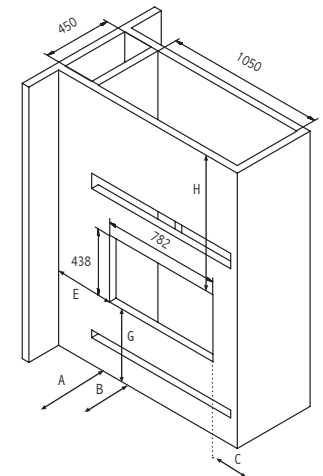
Finished face opening - Brick  
(see user manual)

Recommended convection area  
top min. 1050 cm<sup>2</sup>  
bottom min. 525 cm<sup>2</sup>



Finished face opening –  
fire retardant material  
(see user manual)

Recommended convection area  
top min. 1050 cm<sup>2</sup>  
bottom min. 525 cm<sup>2</sup>



# RAIS VISIO 3:1

TECHNICAL DATA:

DIMENSIONS (W-D-H)

Fireplace inset's ext. dimensions	514-876-1368	mm
Combustion chamber's int. dim.	210-499-230	mm
Finished face opening	528-705-490	mm
Outer Frame Dimensions	528-750-490	mm
Flue exit (diameter)	200	mm
AirSystem connection	Ø150	mm

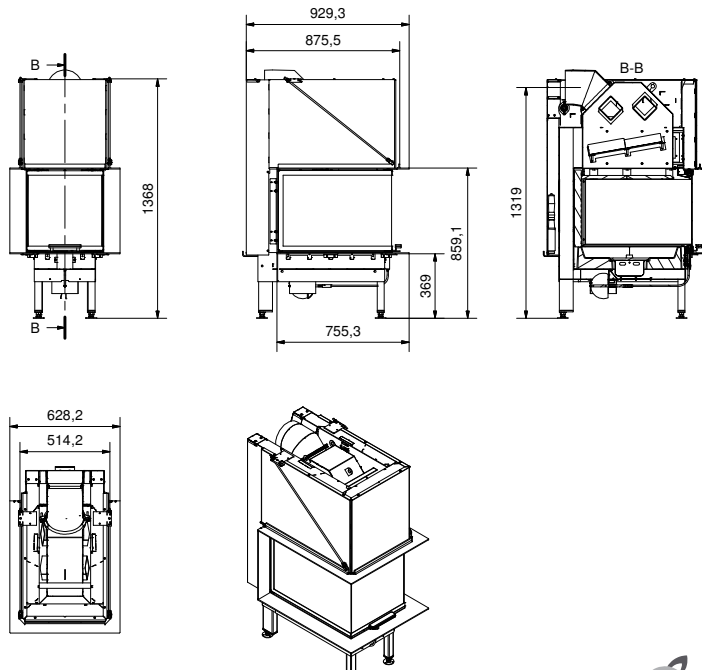
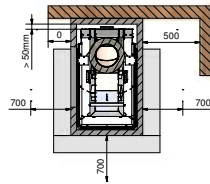
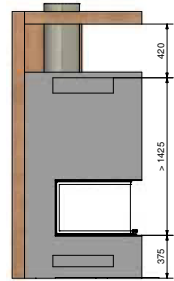
KEY FIGURES

Output (Nominal)	8,3	kW
Output (Min-max)	5-9	kW
Heat (at 20 degrees)	75-120	m <sup>2</sup>
Efficiency	80	%
Particulates	5,7	g/kg

DISTANCE TO FLAMMABLE MATERIAL

E - To wall at side	0	mm
H - To the ceiling	420	mm
C - To the side	-	mm
G - To the floor	375	mm
B - In front of the floor	-	mm
A - To furniture	700	mm

WEIGHT	259	kg
--------	-----	----



# RAIS 500<sup>1</sup>

TECHNICAL DATA:

DIMENSIONS (W-D-H)

Fireplace inset's ext. dimensions	718-452-470	mm
Combustion chamber's int. dim.	556-306-295	mm
Finished face opening	732-474	mm
Outer Frame Dimensions	764-506	mm
Flue exit (diameter)	Ø150	mm
AirSystem connection	Ø100	mm

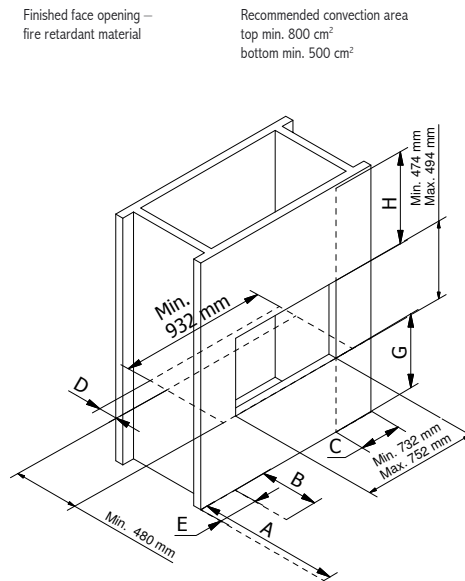
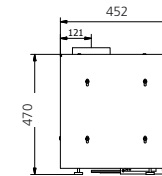
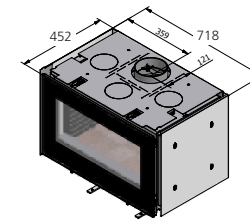
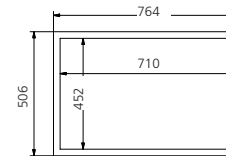
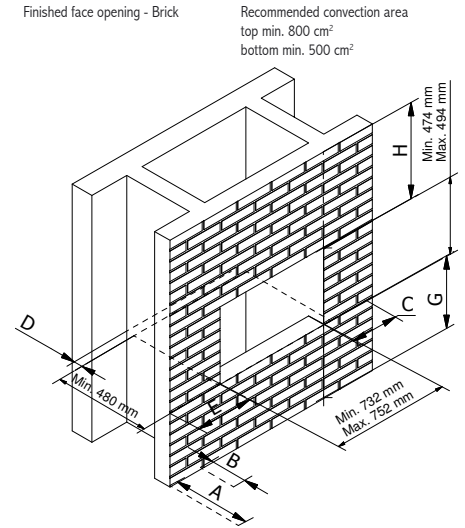
KEY FIGURES

Output (Nominal)	7	kW
Output (Min-max)	4-8	kW
Heat (at 20 degrees)	60-120	m <sup>2</sup>
Efficiency	80	%
Particulates	<1,8	g/kg

DISTANCE TO FLAMMABLE MATERIAL

E - To wall at side	200	mm
D - To wall at back	100	mm
H - To the ceiling	850	mm
C - To the side	-	mm
G - To the floor	400	mm
B - In front of the floor	-	mm
A - To furniture	900	mm

WEIGHT	110	kg
--------	-----	----



# RAIS 500<sup>2</sup>

TECHNICAL DATA:

DIMENSIONS (W-D-H)

Fireplace inset's ext. dimensions	713-452-470 mm
Combustion chamber's int. dim.	556-306-295 mm
Finished face opening	718-480-474 mm
Outer Frame Dimensions	739-506-506 mm
Flue exit (diameter)	Ø150 mm
AirSystem connection	Ø100 mm

KEY FIGURES

Output (Nominal)	7 kW
Output (Min-max)	4-8 kW
Heat (at 20 degrees)	60-120 m <sup>2</sup>
Efficiency	80 %
Particulates	<1,8 g/kg

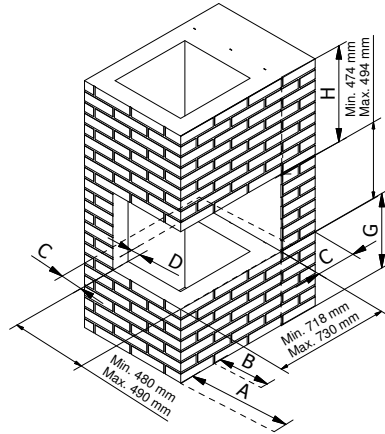
DISTANCE TO FLAMMABLE MATERIAL

E - To wall at side	200 mm
D - To wall at back	100 mm
H - To the ceiling	850 mm
C - To the side	- mm
G - To the floor	400 mm
B - In front of the floor	- mm
A - To furniture	900 mm

WEIGHT	110 kg
--------	--------

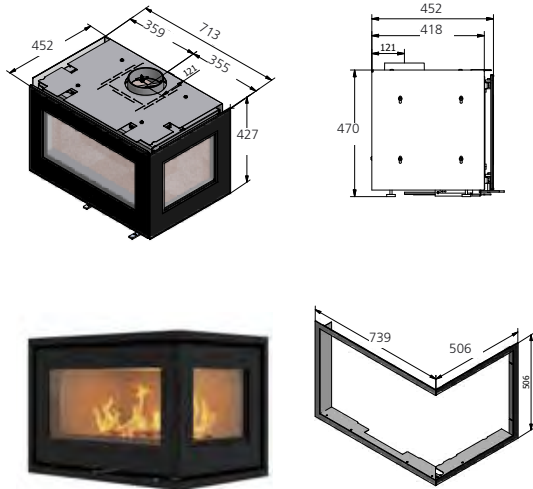
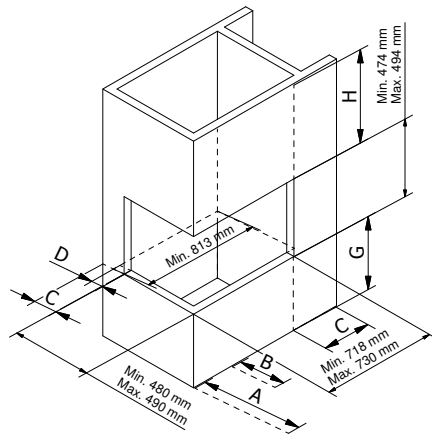
Finished face opening - Brick

Recommended convection area  
top min. 800 cm<sup>2</sup>  
bottom min. 500 cm<sup>2</sup>



Finished face opening -  
fire retardant material

Recommended convection area  
top min. 800 cm<sup>2</sup>  
bottom min. 500 cm<sup>2</sup>



# RAIS 500<sup>3</sup>

TECHNICAL DATA:

DIMENSIONS (W-D-H)

Fireplace inset's ext. dimensions	708-452-470 mm
Combustion chamber's int. dim.	556-306-295 mm
Finished face opening	703-480-474 mm
Outer Frame Dimensions	714-506-506 mm
Flue exit (diameter)	Ø150 mm
AirSystem connection	Ø100 mm

KEY FIGURES

Output (Nominal)	7 kW
Output (Min-max)	4-8 kW
Heat (at 20 degrees)	60-120 m <sup>2</sup>
Efficiency	80 %
Particulates	<1,8 g/kg

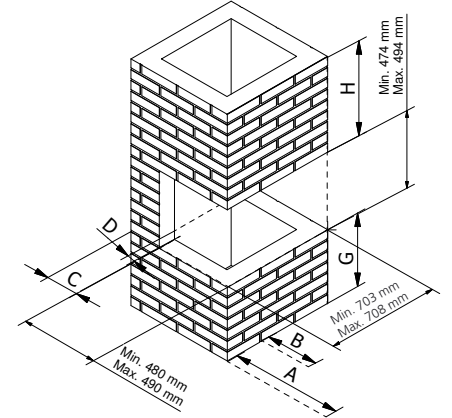
DISTANCE TO FLAMMABLE MATERIAL

E - To wall at side	200 mm
D - To wall at back	100 mm
H - To the ceiling	850 mm
C - To the side	- mm
G - To the floor	400 mm
B - In front of the floor	- mm
A - To furniture	900 mm

WEIGHT	110 kg
--------	--------

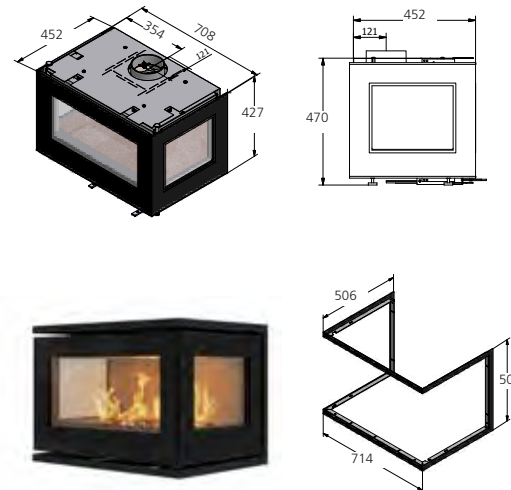
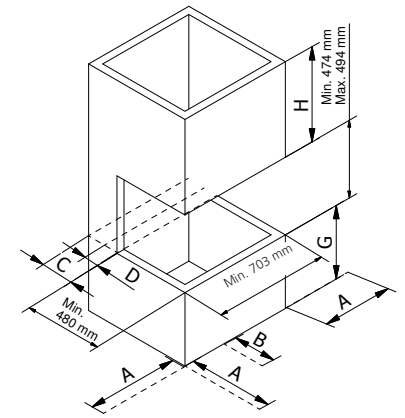
Finished face opening - Brick

Recommended convection area  
top min. 800 cm<sup>2</sup>  
bottom min. 500 cm<sup>2</sup>



Finished face opening -  
fire retardant material

Recommended convection area  
top min. 800 cm<sup>2</sup>  
bottom min. 500 cm<sup>2</sup>



# RAIS 2:1

## TECHNICAL DATA:

### DIMENSIONS (W-D-H)

Fireplace inset's ext. dimensions	807-462-914 mm
Combustion chamber's int. dim.	500-244-374 mm
Finished face opening	736-477 mm
Outer Frame Dimensions	736-477 mm
Flue exit (diameter)	Ø150 mm
AirSystem connection	Ø100 mm

### KEY FIGURES

Output (Nominal)	6 kW
Output (Min-max)	3-9 kW
Heat (at 20 degrees)	45-135 m <sup>2</sup>
Efficiency	79 %
Particulates	3,7 g/kg

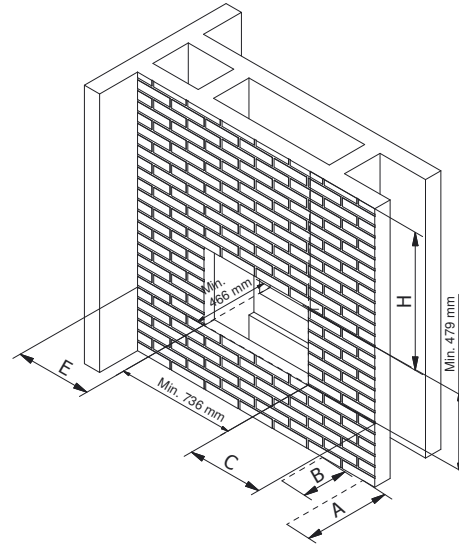
### DISTANCE TO FLAMMABLE MATERIAL

E - To wall at side	200 mm
H - To the ceiling	590 mm
C - To the side	- mm
G - To the floor	450 mm
B - In front of the floor	- mm
A - To furniture	600 mm

WEIGHT	140 kg
--------	--------

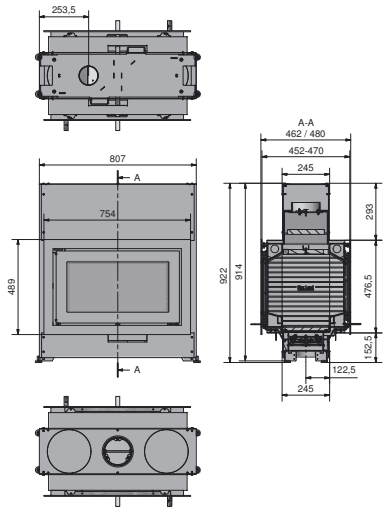
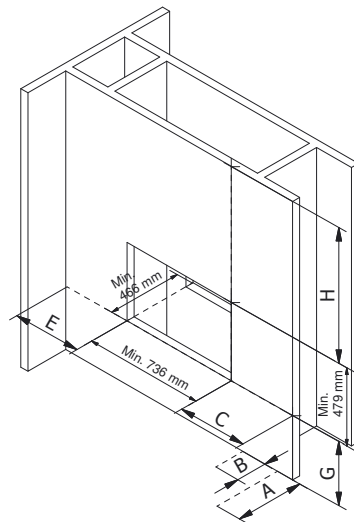
Finished face opening - Brick

Recommended convection area  
top min. 800 cm<sup>2</sup>  
bottom min. 490 cm<sup>2</sup>



Finished face opening -  
fire retardant material

Recommended convection area  
top min. 800 cm<sup>2</sup>  
bottom min. 490 cm<sup>2</sup>



# RAIS 700

## TECHNICAL DATA:

### DIMENSIONS (W-D-H)

Fireplace inset's ext. dimensions	829-478-541 mm
Combustion chamber's int. dim.	562-289-300 mm
Finished face opening	840-545 mm
Outer Frame Dimensions	864-574 mm
Flue exit (diameter)	Ø150 mm
AirSystem connection	Ø100 mm

### KEY FIGURES

Output (Nominal)	5,2 kW
Output (Min-max)	3-7 kW
Heat (at 20 degrees)	60-105 m <sup>2</sup>
Efficiency	80 %
Particulates	<2,59 g/kg

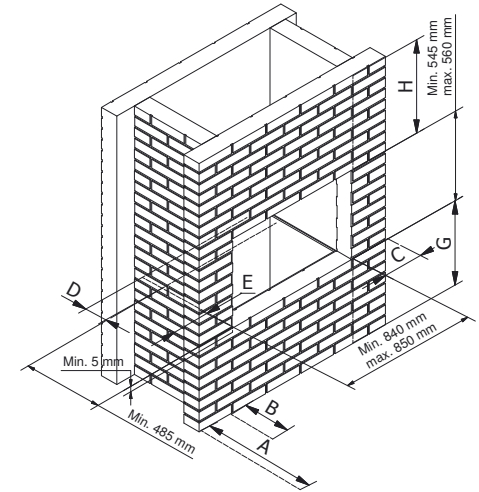
### DISTANCE TO FLAMMABLE MATERIAL

E - To wall at side	300 mm
D - To wall at back	110 mm
H - To the ceiling	850 mm
C - To the side	- mm
G - To the floor	400 mm
B - In front of the floor	- mm
A - To furniture	700 mm

WEIGHT	125 kg
--------	--------

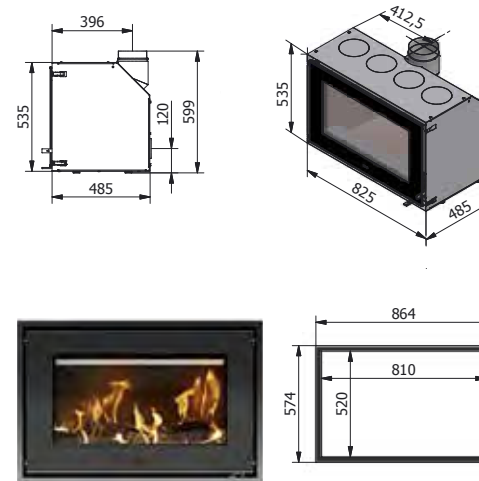
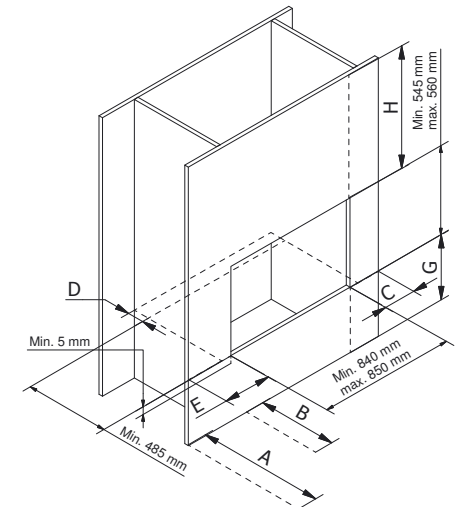
Finished face opening - Brick  
(see user manual)

Recommended convection area  
top min. 700 cm<sup>2</sup>  
bottom min. 400 cm<sup>2</sup>



Finished face opening -  
fire retardant material  
(see user manual)

Recommended convection area  
top min. 800 cm<sup>2</sup>  
bottom min. 530 cm<sup>2</sup>



# RAIS 900

TECHNICAL DATA:

DIMENSIONS (W-D-H)

Fireplace inset's ext. dimensions	962-380-470 mm
Combustion chamber's int. dim.	700-200-230 mm
Finished face opening	972-479 mm
Outer Frame Dimensions	1002-506 mm
Flue exit (diameter)	Ø150 mm
AirSystem connection	Ø100 mm

KEY FIGURES

Output (Nominal)	6,9 kW
Output (Min-max)	5-9 kW
Heat (at 20 degrees)	75-105 m <sup>2</sup>
Efficiency	79 %
Particulates	<2,0 g/kg

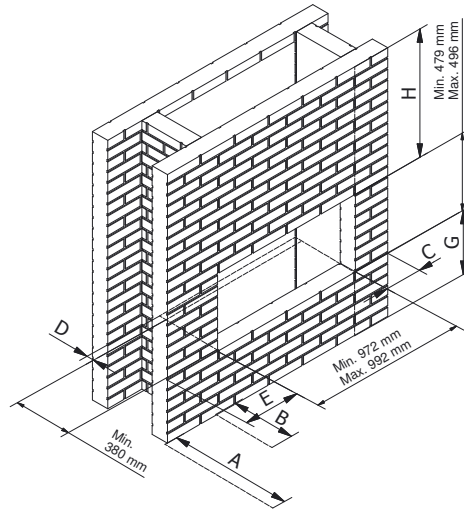
DISTANCE TO FLAMMABLE MATERIAL

E - To wall at side	300 mm
D - To wall at back	100 mm
H - To the ceiling	1100 mm
C - To the side	- mm
G - To the floor	375 mm
B - In front of the floor	- mm
A - To furniture	900 mm

WEIGHT	120 kg
--------	--------

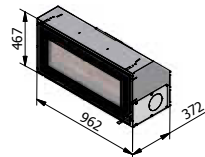
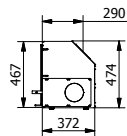
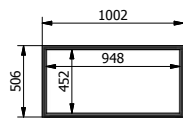
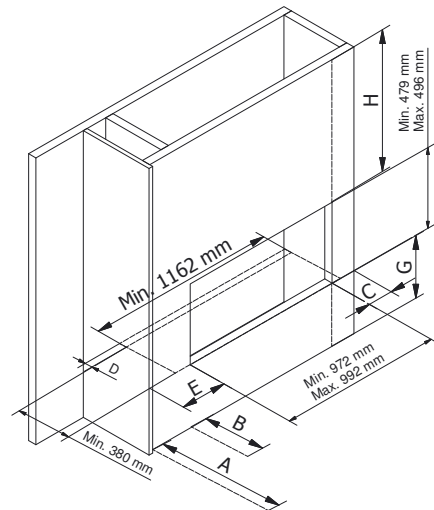
Finished face opening - Brick

Recommended convection area  
top min. 400 cm<sup>2</sup>  
bottom min. 300 cm<sup>2</sup>



Finished face opening - fire retardant material

Recommended convection area  
top min. 800 cm<sup>2</sup>  
bottom min. 530 cm<sup>2</sup>



# RAIS Q-BE

TECHNICAL DATA:

DIMENSIONS (W-D-H)

Fireplace inset's ext. dimensions	399-399-903 mm
Combustion chamber's int. dim.	239-239-505 mm
Finished face opening	405/405-925 mm
Outer Frame Dimensions	422/424-970 mm
Flue exit (diameter)	Ø150 mm
AirSystem connection	Ø100 mm

KEY FIGURES

Output (Nominal)	5,9 kW
Output (Min-max)	4-8 kW
Heat (at 20 degrees)	60-120 m <sup>2</sup>
Efficiency	80 %
Particulates	1,4 g/kg

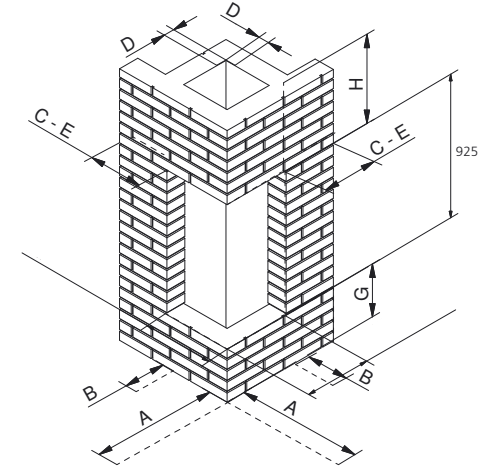
DISTANCE TO FLAMMABLE MATERIAL

E - To wall at side	See user manual
D - To wall at back	See user manual
H - To the ceiling	455 mm
C - To the side	See user manual
G - To the floor	0 mm
B - In front of the floor	- mm
A - To furniture	750 mm

WEIGHT	110 kg
--------	--------

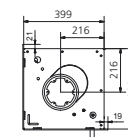
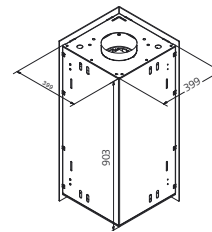
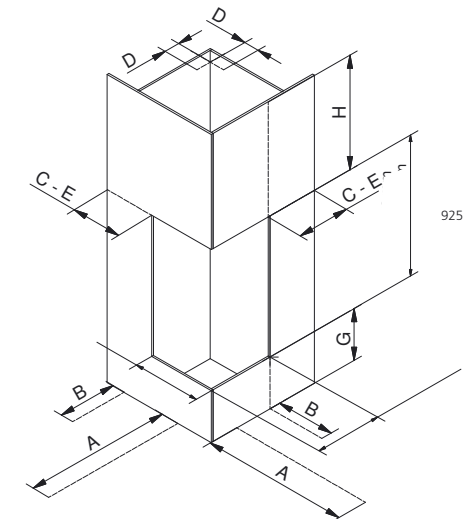
Finished face opening - Brick

Recommended convection area  
top min. 200 cm<sup>2</sup>  
bottom min. 200 cm<sup>2</sup>



Finished face opening - fire retardant material

Recommended convection area  
top min. 200 cm<sup>2</sup>  
bottom min. 200 cm<sup>2</sup>



# RAIS Q-TEE INSET

TECHNICAL DATA:

DIMENSIONS (W-D-H)

Fireplace inset's ext. dimensions	463-375-603 mm
Combustion chamber's int. dim.	317-270-270 mm
Finished face opening	473-425-613 mm
Outer Frame Dimensions	489-629 mm
Flue exit (diameter)	Ø150 mm
AirSystem connection	Ø100 mm

KEY FIGURES

Output (Nominal)	4,1 kW
Output (Min-max)	2-6 kW
Heat (at 20 degrees)	30-90 m <sup>2</sup>
Efficiency	80 %
Particulates	0,8 g/kg

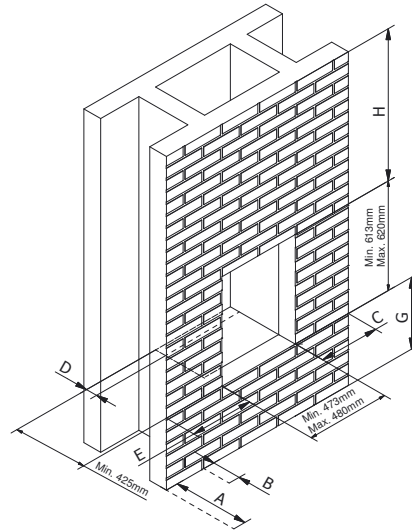
DISTANCE TO FLAMMABLE MATERIAL

E - To wall at side	200 mm
D - To wall at back	100 mm
H - To the ceiling	800 mm
C - To the side	- mm
G - To the floor	400 mm
B - In front of the floor	- mm
A - To furniture	650 mm

WEIGHT	87 kg
--------	-------

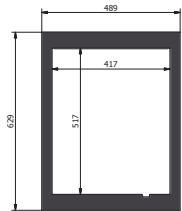
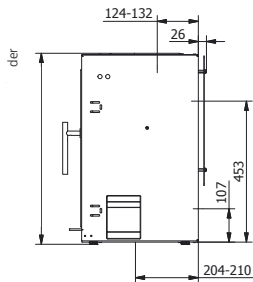
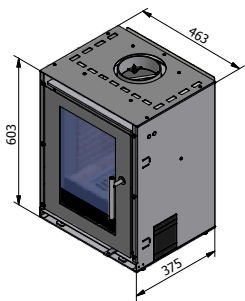
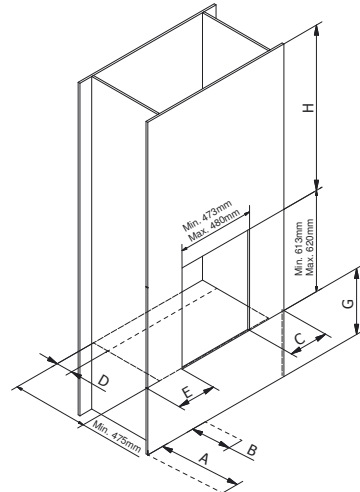
Finished face opening - Brick

Recommended convection area  
top min. 600 cm<sup>2</sup>  
bottom min. 350 cm<sup>2</sup>

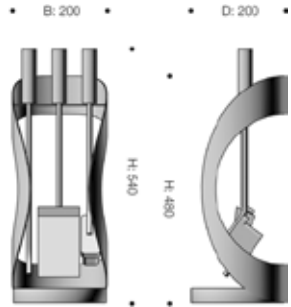


Finished face opening – fire retardant material

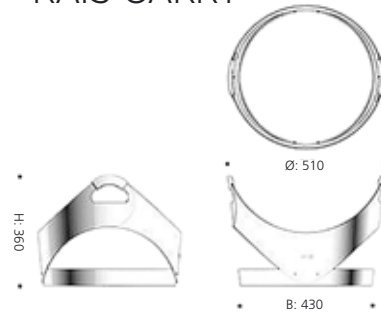
Recommended convection area  
top min. 600 cm<sup>2</sup>  
bottom min. 350 cm<sup>2</sup>



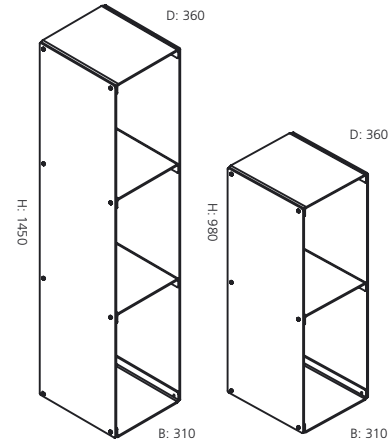
RAIS BUTEO



RAIS CARRY



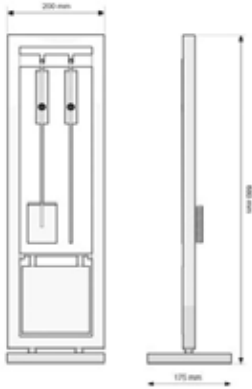
RAIS WOODRACK



RAIS WOODFRAME



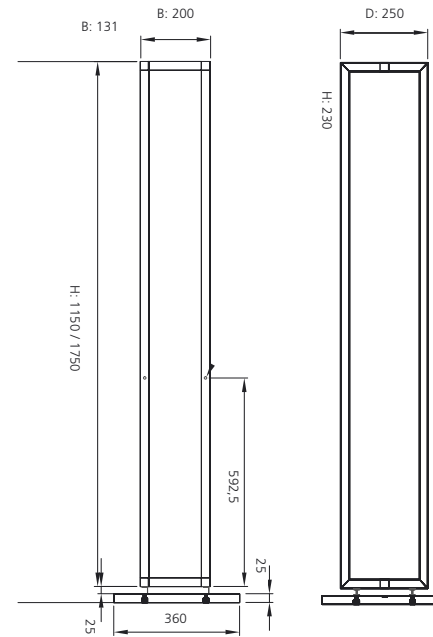
RAIS WALL TOOLS



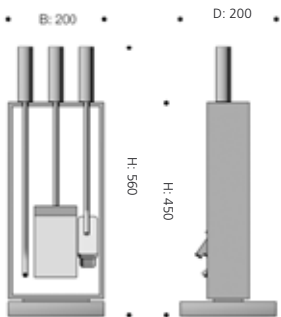
RAIS LIGHTING



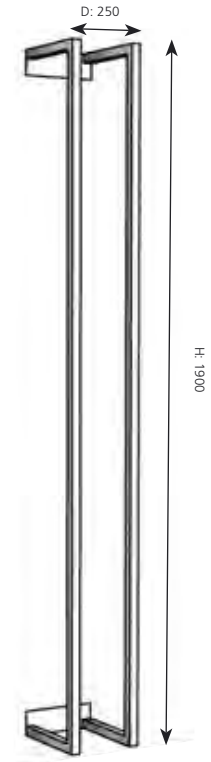
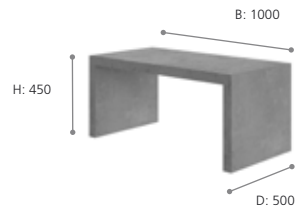
RAIS WOODWALL



RAIS TETRA

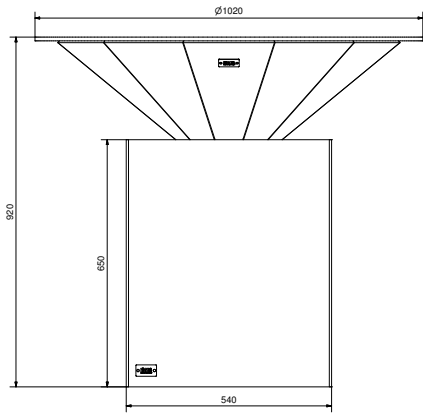


RAIS CONSTANT

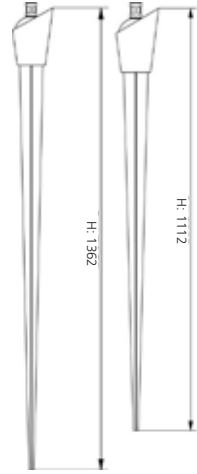




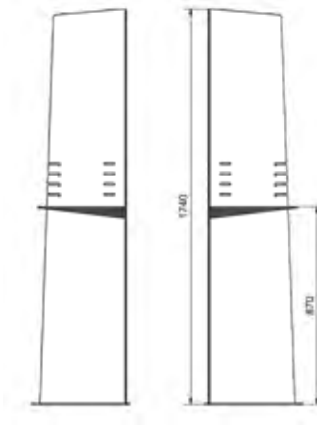
RAIS CIRCLE



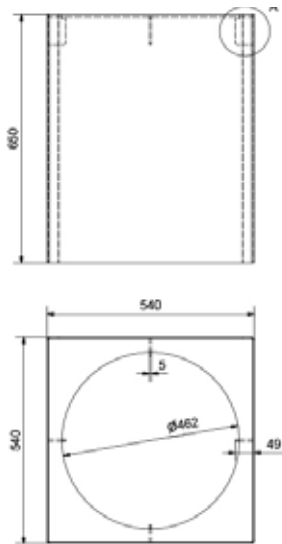
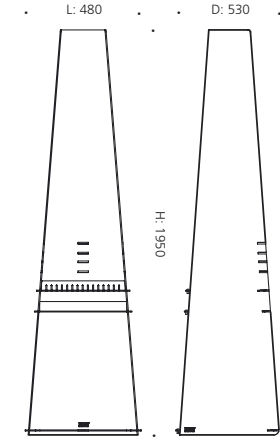
RAIS CONE



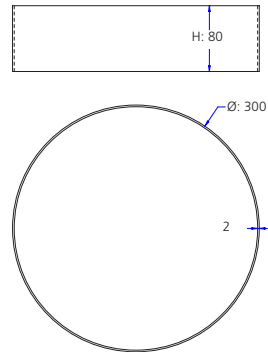
RAIS ANGLE



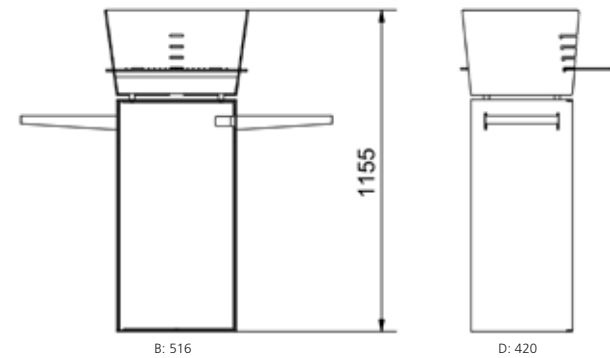
RAIS GIZEH



RAIS RA



RAIS SQUARE



Due to the continuous technical development we reserve the right to make changes without prior warning to specifications, colours and equipment. We are not responsible for misprints or mistakes in text, pictures and specifications.





**HYGGE**  
IS SMALL MOMENTS OF  
EVERYDAY HAPPINESS



art  
of  
fire



facebook Instagram Pinterest

**RAIS**<sup>®</sup>  
ART OF  FIRE  
[www.rais.com](http://www.rais.com)